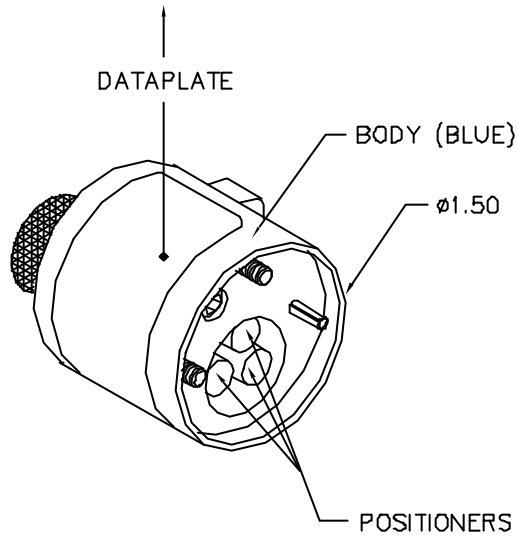


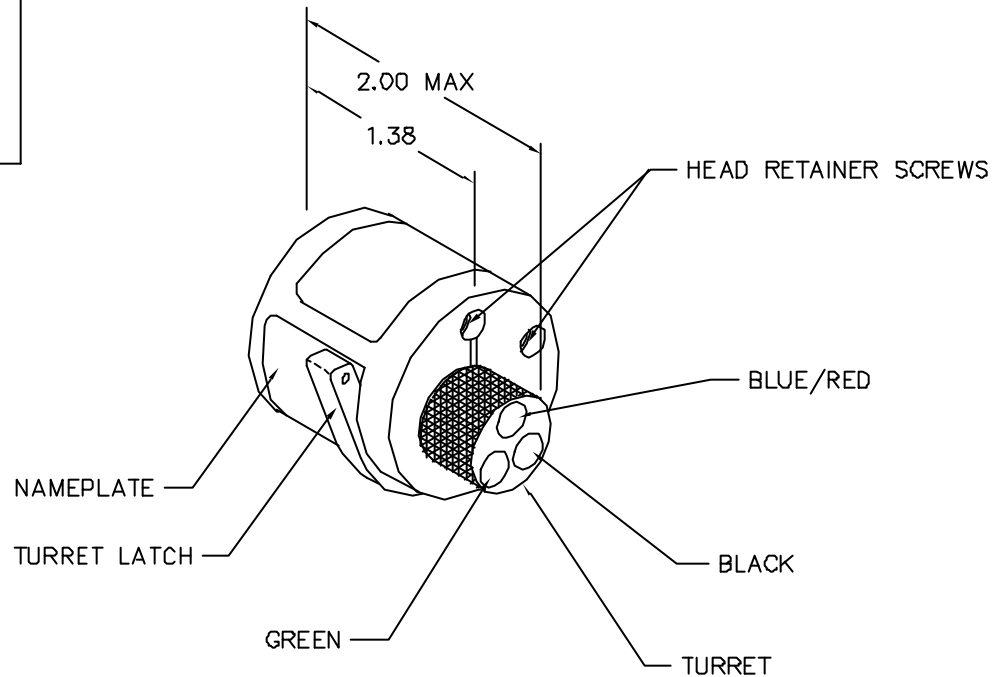
TURRET & LOCATOR FOR CRIMP TOOLS;  
TM0001 (MIL STD M22520/1-01) & TP0001

CONTACT	POSITIONER COLOR	26	24	22	20	18	16	WIRE SIZE
MS17803 04, 07, & 08	16 BLUE				6	7	7	SELECTOR NO.
	20 RED		4	5	6			
OS12814 BASIC TYPE P & M	16 BLACK				4	5	6	
	22 BLACK	2	3	4				
M21097/9-01	20 GREEN	1	2	3	4			



POSITIONER COLOR	* HOLE DIMENSIONS	ADDITIONAL FEATURES
BLUE/RED	ø.106 ▽.492	□ ø.136 ▽.181
BLACK	ø.093 ▽.589	□ ø.129 ▽.329
GREEN	ø.067 ▽.182	

\* HOLE DEPTH DIMENSIONS ARE TAKEN FROM THE TOP OF THE POSITIONER INSERTS.



TITLE				ENVELOPE DRAWING TURRET HEAD (M2252011-03)			
SIZE	SCALE	CAD P/N	SHEET		OF		
B	NTS	114914S1	1		1		
POSTING		P/N	REV.				
		TL0004	1				