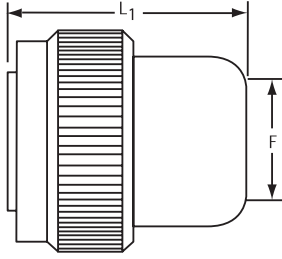
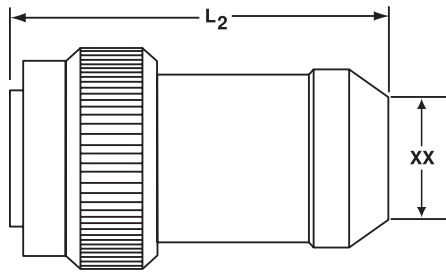


STRAIGHT PLUG STYLES

62GB16P



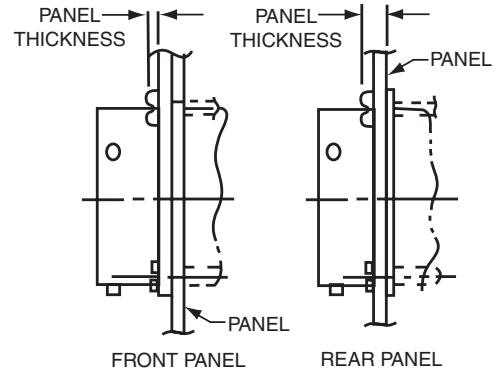
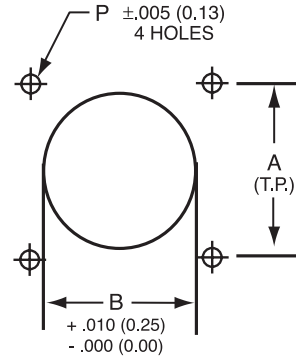
62GB16J



| 62GB16P         |                 | 62GB16J         |                 |                 |
|-----------------|-----------------|-----------------|-----------------|-----------------|
| F               | L <sub>1</sub>  | L <sub>2</sub>  | CABLE OD        |                 |
|                 |                 |                 | XX MIN.         | XX MAX.         |
| 0.260<br>(6.6)  | 1.306<br>(33.2) | 1.836<br>(46.6) | 0.168<br>(4.3)  | 0.230<br>(5.8)  |
| 0.463<br>(11.8) | 1.415<br>(35.9) | 1.836<br>(46.6) | 0.205<br>(5.2)  | 0.312<br>(7.9)  |
| 0.557<br>(14.1) | 1.384<br>(35.2) | 1.937<br>(49.2) | 0.338<br>(8.6)  | 0.442<br>(11.2) |
| 0.590<br>(15.0) | 1.384<br>(35.2) | 2.137<br>(54.3) | 0.416<br>(10.6) | 0.539<br>(13.7) |
| 0.713<br>(18.1) | 1.384<br>(35.2) | 2.337<br>(59.4) | 0.550<br>(14.0) | 0.616<br>(15.6) |
| 0.835<br>(21.2) | 1.384<br>(35.2) | 2.537<br>(64.4) | 0.600<br>(15.2) | 0.672<br>(17.1) |
| 1.015<br>(25.8) | 1.539<br>(39.1) | 2.758<br>(70.1) | 0.635<br>(16.1) | 0.747<br>(19.0) |
| 1.015<br>(25.8) | 1.539<br>(39.1) | 2.958<br>(75.1) | 0.670<br>(17.0) | 0.846<br>(21.5) |
| 1.265<br>(32.1) | 1.602<br>(40.7) | 3.002<br>(76.3) | 0.740<br>(18.8) | 0.894<br>(22.7) |

PANEL CUTOUT/THICKNESS

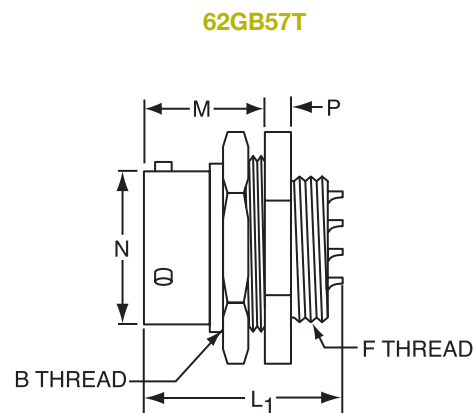
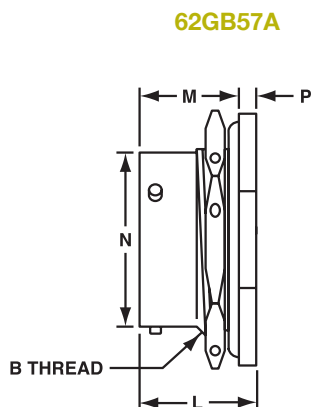
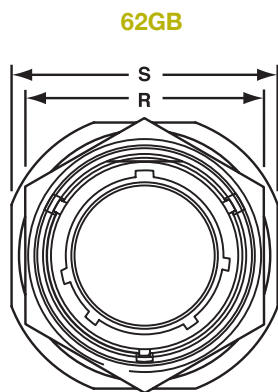
62GB12E  
62GB50T  
62GB10



| SHELL SIZE | B FRONT MOUNT   | A               | P ±.005        | SCREW SIZE | PANEL THICKNESS |
|------------|-----------------|-----------------|----------------|------------|-----------------|
| 8          | 0.449<br>(11.4) | 0.594<br>(15.1) | 0.125<br>(3.2) | #4         | 0.087<br>(2.2)  |
| 10         | 0.573<br>(14.6) | 0.719<br>(18.3) | 0.125<br>(3.2) | #4         | 0.087<br>(2.2)  |
| 12         | 0.699<br>(17.8) | 0.812<br>(20.6) | 0.125<br>(3.2) | #4         | 0.087<br>(2.2)  |
| 14         | 0.823<br>(20.9) | 0.906<br>(23.0) | 0.125<br>(3.2) | #4         | 0.087<br>(2.2)  |
| 16         | 0.949<br>(24.1) | 0.969<br>(24.6) | 0.125<br>(3.2) | #4         | 0.087<br>(2.2)  |
| 18         | 1.073<br>(27.3) | 1.062<br>(27.0) | 0.125<br>(3.2) | #4         | 0.087<br>(2.2)  |
| 20         | 1.199<br>(30.5) | 1.156<br>(29.4) | 0.125<br>(3.2) | #4         | 0.212<br>(5.4)  |
| 22         | 1.323<br>(33.6) | 1.250<br>(31.8) | 0.125<br>(3.2) | #4         | 0.212<br>(5.4)  |
| 24         | 1.449<br>(36.8) | 1.375<br>(34.9) | 0.155<br>(3.9) | #6         | 0.212<br>(5.4)  |

All dimensions in inches (millimeters in parenthesis)

JAM NUT RECEPTACLES



| SHELL SIZE | 62GB57/62GB17P    |                  |                 |                  |                 |                 |                 | PANEL THICKNESS |                |
|------------|-------------------|------------------|-----------------|------------------|-----------------|-----------------|-----------------|-----------------|----------------|
|            | B THREAD CLASS 2A | M ±.005 (± 0.13) | N               | P ±.005 (± 0.13) | R               | S               | J MIN.          | J MAX.          |                |
|            | 8                 | .5625-24<br>UNEF | 0.706<br>(17.9) | 0.473<br>(12.0)  | 0.117<br>(3.0)  | 0.750<br>(19.1) | 0.942<br>(23.9) | 0.062<br>(1.6)  | 0.125<br>(3.2) |
| 10         | .6875-24<br>UNEF  | 0.706<br>(17.9)  | 0.590<br>(15.0) | 0.117<br>(3.0)   | 0.875<br>(22.2) | 1.067<br>(27.1) | 0.062<br>(1.6)  | 0.125<br>(3.2)  |                |
| 12         | .8750-20<br>UNEF  | 0.706<br>(17.9)  | 0.750<br>(19.1) | 0.117<br>(3.0)   | 1.062<br>(27.0) | 1.255<br>(31.9) | 0.062<br>(1.6)  | 0.125<br>(3.2)  |                |
| 14         | 1.0000-20<br>UNEF | 0.706<br>(17.9)  | 0.875<br>(22.2) | 0.117<br>(3.0)   | 1.187<br>(30.1) | 1.380<br>(35.1) | 0.062<br>(1.6)  | 0.125<br>(3.2)  |                |
| 16         | 1.1250-18<br>UNEF | 0.706<br>(17.9)  | 1.000<br>(25.4) | 0.117<br>(3.0)   | 1.312<br>(33.3) | 1.505<br>(38.2) | 0.062<br>(1.6)  | 0.125<br>(3.2)  |                |
| 18         | 1.2500-18<br>UNEF | 0.706<br>(17.9)  | 1.125<br>(28.6) | 0.117<br>(3.0)   | 1.437<br>(36.5) | 1.630<br>(41.4) | 0.062<br>(1.6)  | 0.125<br>(3.2)  |                |
| 20         | 1.3750-18<br>UNEF | 0.894<br>(22.7)  | 1.250<br>(31.8) | 0.148<br>(3.8)   | 1.562<br>(39.7) | 1.817<br>(46.2) | 0.062<br>(1.6)  | 0.250<br>(6.4)  |                |
| 22         | 1.5000-18<br>UNEF | 0.894<br>(22.7)  | 1.375<br>(34.9) | 0.148<br>(3.8)   | 1.687<br>(42.8) | 1.942<br>(49.3) | 0.062<br>(1.6)  | 0.250<br>(6.4)  |                |
| 24         | 1.6250-18<br>UNEF | 0.927<br>(23.5)  | 1.500<br>(38.1) | 0.148<br>(3.8)   | 1.812<br>(46.0) | 2.067<br>(52.5) | 0.062<br>(1.6)  | 0.250<br>(6.4)  |                |

62GB57A

| L MAX.          |
|-----------------|
| 0.823<br>(20.9) |
| 0.823<br>(20.9) |
| 0.823<br>(20.9) |
| 0.823<br>(20.9) |
| 0.823<br>(20.9) |
| 0.823<br>(20.9) |
| 0.823<br>(20.9) |
| 1.042<br>(26.5) |
| 1.042<br>(26.5) |
| 1.075<br>(27.3) |

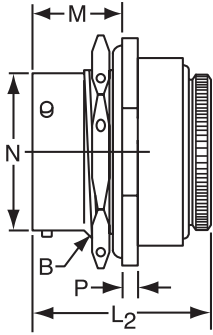
62GB57T

| L1 MAX.         | F THREAD CLASS 2A |
|-----------------|-------------------|
| 0.978<br>(24.8) | .4375-28<br>UNEF  |
| 0.978<br>(24.8) | .5625-24<br>UNEF  |
| 0.978<br>(24.8) | .6875-24<br>UNEF  |
| 0.978<br>(24.8) | .8125-20<br>UNEF  |
| 0.978<br>(24.8) | .9375-20<br>UNEF  |
| 0.978<br>(24.8) | 1.0625-18<br>UNEF |
| 1.048<br>(26.6) | 1.1875-18<br>UNEF |
| 1.048<br>(26.6) | 1.3125-18<br>UNEF |
| 1.048<br>(26.6) | 1.4375-18<br>UNEF |

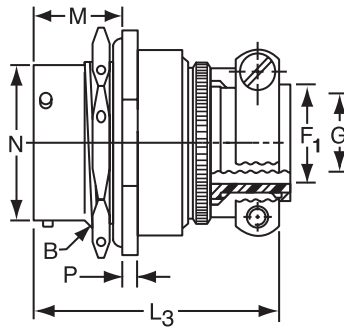
All dimensions in inches (millimeters in parenthesis)

JAM NUT RECEPTACLES

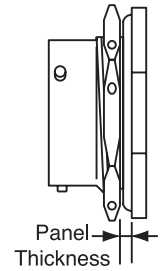
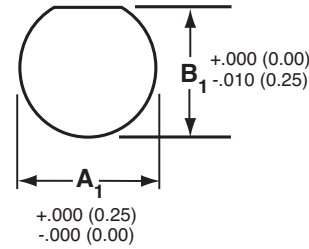
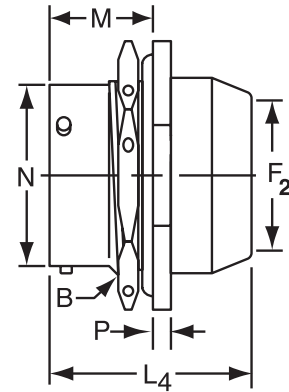
62GB14E



62GB14F



62GB17P



| 62GB14E             |        |
|---------------------|--------|
| L <sub>2</sub> MAX. |        |
| 1.344               | (34.1) |
| 1.344               | (34.1) |
| 1.344               | (34.1) |
| 1.344               | (34.1) |
| 1.344               | (34.1) |
| 1.344               | (34.1) |
| 1.344               | (34.1) |
| 1.344               | (34.1) |
| 1.576               | (40.0) |
| 1.576               | (40.0) |
| 1.609               | (40.9) |

| 62GB14F             |                  |                |        |
|---------------------|------------------|----------------|--------|
| F <sub>1</sub> MIN. | G ±0.005 (±0.13) | L <sub>3</sub> |        |
| 0.240               | 0.156            | 1.762          | (44.8) |
| 0.302               | 0.188            | 1.762          | (44.8) |
| 0.428               | 0.312            | 1.762          | (44.8) |
| 0.552               | 0.375            | 1.762          | (44.8) |
| 0.615               | 0.500            | 1.876          | (47.7) |
| 0.740               | 0.625            | 1.876          | (47.7) |
| 0.740               | 0.625            | 2.118          | (53.8) |
| 0.928               | 0.750            | 2.118          | (53.8) |
| 0.990               | 0.800            | 2.250          | (57.2) |

| 62GB17P        |                |
|----------------|----------------|
| F <sub>2</sub> | L <sub>4</sub> |
| 0.260          | 1.391          |
| 0.463          | 1.391          |
| 0.577          | 1.391          |
| 0.590          | 1.391          |
| 0.713          | 1.391          |
| 0.835          | 1.391          |
| 1.015          | 1.641          |
| 1.015          | 1.641          |
| 1.265          | 1.674          |
| (32.1)         | (42.5)         |

| SHELL SIZE | A1 +010-.000 (+.25-.00) | B1 +.000-.010 (+.00-.25) | PANEL THICKNESS |             |
|------------|-------------------------|--------------------------|-----------------|-------------|
|            |                         |                          | MIN.            | MAX.        |
| 8          | 0.572 (14.5)            | 0.542 (13.8)             | 0.062 (1.6)     | 0.125 (3.2) |
| 10         | 0.697 (17.7)            | 0.669 (17.0)             | 0.062 (1.6)     | 0.125 (3.2) |
| 12         | 0.884 (22.5)            | 0.830 (21.1)             | 0.062 (1.6)     | 0.125 (3.2) |
| 14         | 1.007 (25.6)            | 0.955 (24.3)             | 0.062 (1.6)     | 0.125 (3.2) |
| 16         | 1.134 (28.8)            | 1.084 (27.5)             | 0.062 (1.6)     | 0.125 (3.2) |
| 18         | 1.259 (32.0)            | 1.208 (30.7)             | 0.062 (1.6)     | 0.125 (3.2) |
| 20         | 1.384 (35.2)            | 1.333 (33.9)             | 0.062 (1.6)     | 0.250 (6.4) |
| 22         | 1.507 (38.3)            | 1.459 (37.1)             | 0.062 (1.6)     | 0.250 (6.4) |
| 24         | 1.634 (41.5)            | 1.575 (40.0)             | 0.062 (1.6)     | 0.250 (6.4) |

All dimensions in inches (millimeters in parenthesis)