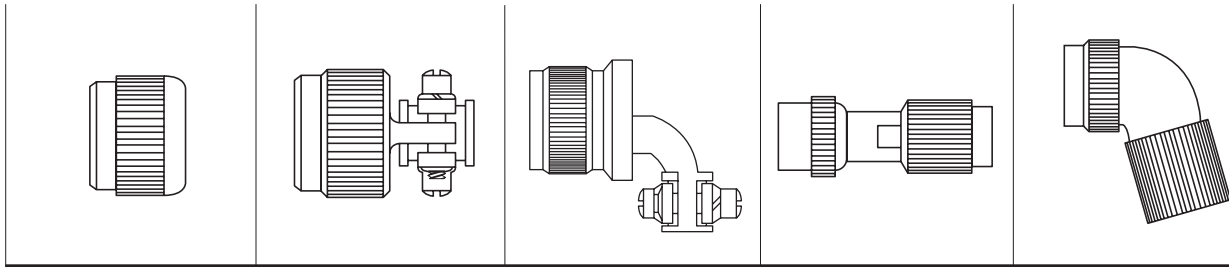


ENDBELLS OR TYPE T CONNECTORS

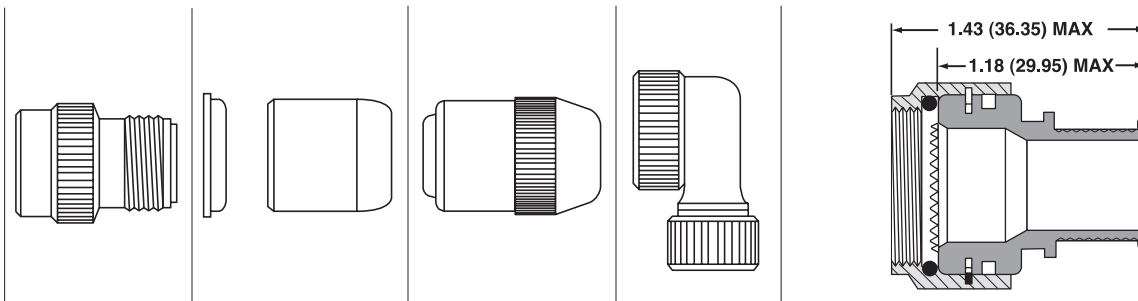


62GB GROMMET KITS

SIZE	SHELL E ENDBELL	F ENDBELL	RIGHT ANGLE ENDBELL	SHIELDED GLAND SEAL ENDBELLS (SCREENED)	
				STRAIGHT	75 DEGREE
08	62GB-584-08-XXP or S**	62GB-585-08-XXP or S**	62GB-711-08-XXP or S**	62GB-587-08-XXP or S**	62GB-5028-08-XXP or S**
10	62GB-584-10-XXP or S**	62GB-585-10-XXP or S**	62GB-711-10-XXP or S**	62GB-587-10-XXP or S**	62GB-5028-10-XXP or S**
12	62GB-584-12-XXP or S**	62GB-585-12-XXP or S**	62GB-711-12-XXP or S**	62GB-587-12-XXP or S**	62GB-5028-12-XXP or S**
14	62GB-584-14-XXP or S**	62GB-585-14-XXP or S**	62GB-711-14-XXP or S**	62GB-587-14-XXP or S**	62GB-5028-14-XXP or S**
16	62GB-584-16-XXP or S**	62GB-585-16-XXP or S**	62GB-711-16-XXP or S**	62GB-587-16-XXP or S**	62GB-5028-16-XXP or S**
18	62GB-584-18-XXP or S**	62GB-585-18-XXP or S**	62GB-711-18-XXP or S**	-	-
20	62GB-584-20-XXP or S**	62GB-585-20-XXP or S**	62GB-711-20-XXP or S**	62GB-587-20-XXP or S**	62GB-5028-20-XXP or S**
22	62GB-584-22-XXP or S**	62GB-585-22-XXP or S**	62GB-711-22-XXP or S**	62GB-587-22-XXP or S**	-
24	62GB-584-24-XXP or S**	62GB-585-24-XXP or S**	62GB-711-24-XXP or S**	62GB-587-24-XXP or S**	62GB-5028-24-XXP or S**

XX - Insert layout.

Add -214 for endbells where no grommet is available. Example: 62GB-585-12-14P-214



62GB ENDBELL KITS

SHELL SIZE	A ENDBELL	POTTING CUP (MOULD)	GLAND SEAL ENDBELL/GROMMET KIT		AIA-5001	CABLE EXIT MAX.	SPRING
			J ENDBELL	SHIELDED (SCREENED)			
08	62GB-776-08**	62GB-586-08	62GB-720-08**	62GB-1225-08**	AIA5001-08-00-00-10-AA**	.255 (6.48)	HE050
10	62GB-776-10**	62GB-586-10	62GB-720-10**	62GB-1225-10**	AIA5001-10-00-00-10-AA**	.317 (8.05)	HE100
12	62GB-776-12**	62GB-586-12	62GB-720-12**	62GB-1225-12**	AIA5001-12-00-00-10-AA**	.443 (11.25)	HE200
14	62GB-776-14**	62GB-586-14	62GB-720-14**	62GB-1225-14**	AIA5001-14-00-00-10-AA**	.505 (12.53)	HE200
16	62GB-776-16**	62GB-586-16	62GB-720-16**	-	AIA5001-16-00-00-10-AA**	.630 (16.00)	HE200
18	62GB-776-18**	62GB-586-18	62GB-720-18**	-	AIA5001-18-00-00-10-AA**	.755 (19.18)	HE300
20	62GB-776-20**	62GB-586-20	62GB-720-20**	-	AIA5001-20-00-00-10-AA**	.881 (22.38)	HE300
22	62GB-776-22**	62GB-586-22	62GB-720-22**	-	AIA5001-22-00-00-10-AA**	1.006 (25.55)	HE300
24	62GB-776-24**	62GB-586-24	62GB-720-24**	-	AIA5001-24-00-00-10-AA**	1.006 (25.55)	HE300

** = Plating Code (default) = Green Zinc Cobalt (RoHS)

771 = Black Zinc Cobalt (RoHS)

714 = Olive Drab Chromate over Cadmium

Other diameters available. Please contact us for more details.

416 = Electroless Nickel (RoHS)

608 = Black-Anodized (RoHS)

62ZN = Black Zinc Nickel (Replaces 62GB at front of part no.)

Please contact us for heat shrink boot.

DUST CAPS

CAP STYLES



Standard



Heavy Duty

LANYARD TYPES



Sash Chain



Polyester Cord

SHELL SIZE	CAP STYLE	LANYARD TYPE	PLUGS	RECEPTACLES			LANYARD LENGTH
				FLANGED	JAM NUT	IN-LINE	
8	Standard	Cord	62GB-810-08-XXX	62GB-812-08-XXX	62GB-813-08-XXX	62GB-814-08-XXX	3.00 (76.2)
	Arctic Grip		62GB-1069-08-XXX	62GB-1070-08-XXX	Not Available	Not Available	
	Standard	Chain	62GB-742-08-XXX	62GB-738-08-XXX	62GB-736-08-XXX	62GB-737-08-XXX	
	Arctic Grip		62GB-998-08-XXX	Not Available	62GB-997-08-XXX	Not Available	
10	Standard	Cord	62GB-810-10-XXX	62GB-812-10-XXX	62GB-813-10-XXX	62GB-814-10-XXX	3.00 (76.2)
	Arctic Grip		62GB-1069-10-XXX	62GB-1070-10-XXX	Not Available	Not Available	
	Standard	Chain	62GB-742-10-XXX	62GB-738-10-XXX	62GB-736-10-XXX	62GB-737-10-XXX	
	Arctic Grip		62GB-998-10-XXX	Not Available	62GB-997-10-XXX	Not Available	
12	Standard	Cord	62GB-810-12-XXX	62GB-812-12-XXX	62GB-813-12-XXX	62GB-814-12-XXX	3.50 (88.9)
	Arctic Grip		62GB-1069-12-XXX	62GB-1070-12-XXX	Not Available	Not Available	
	Standard	Chain	62GB-742-12-XXX	62GB-738-12-XXX	62GB-736-12-XXX	62GB-737-12-XXX	
	Arctic Grip		62GB-998-12-XXX	Not Available	62GB-997-12-XXX	Not Available	
14	Standard	Cord	62GB-810-14-XXX	62GB-812-14-XXX	62GB-813-14-XXX	62GB-814-14-XXX	3.50 (88.9)
	Arctic Grip		62GB-1069-14-XXX	62GB-1070-14-XXX	Not Available	Not Available	
	Standard	Chain	62GB-742-14-XXX	62GB-738-14-XXX	62GB-736-14-XXX	62GB-737-14-XXX	
	Arctic Grip		62GB-998-14-XXX	Not Available	62GB-997-14-XXX	Not Available	
16	Standard	Cord	62GB-810-16-XXX	62GB-812-16-XXX	62GB-813-16-XXX	62GB-814-16-XXX	3.50 (88.9)
	Arctic Grip		62GB-1069-16-XXX	62GB-1070-16-XXX	Not Available	Not Available	
	Standard	Chain	62GB-742-16-XXX	62GB-738-16-XXX	62GB-736-16-XXX	62GB-737-16-XXX	
	Arctic Grip		62GB-998-16-XXX	Not Available	62GB-997-16-XXX	Not Available	
18	Standard	Cord	62GB-810-18-XXX	62GB-812-18-XXX	62GB-813-18-XXX	62GB-814-18-XXX	3.50 (88.9)
	Arctic Grip		62GB-1069-18-XXX	62GB-1070-18-XXX	Not Available	Not Available	
	Standard	Chain	62GB-742-18-XXX	62GB-738-18-XXX	62GB-736-18-XXX	62GB-737-18-XXX	
	Arctic Grip		62GB-998-18-XXX	Not Available	62GB-997-18-XXX	Not Available	
20	Standard	Cord	62GB-810-20-XXX	62GB-812-20-XXX	62GB-813-20-XXX	62GB-814-20-XXX	4.00 (101.6)
	Arctic Grip		62GB-1069-20-XXX	62GB-1070-20-XXX	Not Available	Not Available	
	Standard	Chain	62GB-742-20-XXX	62GB-738-20-XXX	62GB-736-20-XXX	62GB-737-20-XXX	
	Arctic Grip		62GB-998-20-XXX	Not Available	62GB-997-20-XXX	Not Available	
22	Standard	Cord	62GB-810-22-XXX	62GB-812-22-XXX	62GB-813-22-XXX	62GB-814-22-XXX	4.00 (101.6)
	Arctic Grip		62GB-1069-22-XXX	62GB-1070-22-XXX	Not Available	Not Available	
	Standard	Chain	62GB-742-22-XXX	62GB-738-22-XXX	62GB-736-22-XXX	62GB-737-22-XXX	
	Arctic Grip		62GB-998-22-XXX	Not Available	62GB-997-22-XXX	Not Available	
24	Standard	Cord	62GB-810-24-XXX	62GB-812-24-XXX	62GB-813-24-XXX	62GB-814-24-XXX	4.00 (101.6)
	Arctic Grip		62GB-1069-24-XXX	62GB-1070-24-XXX	Not Available	Not Available	
	Standard	Chain	62GB-742-24-XXX	62GB-738-24-XXX	62GB-736-24-XXX	62GB-737-24-XXX	
	Arctic Grip		62GB-998-24-XXX	Not Available	62GB-997-24-XXX	Not Available	
Lanyard termination notes			Plug caps have small eyelets for mounting to cable clamp screw	Flanged recp. caps have small eyelets for securing to mounting screws	Jam nut recp. caps have large eyelets for securing under mounting nut	In-line recp. caps have large eyelets for securing on accessory thread	For modified lanyard lengths please use codes below

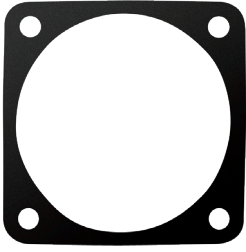
Modification codes:

- XXX = Plating codes**
- Omit = Green Zinc Cobalt (RoHS)
- 416 = Electroless Nickel (RoHS)
- 608 = Black Anodised (RoHS)
- 714 = Olive Drab Chromate over Cadmium
- 771 = Black Zinc Cobalt
- 62ZN = Black Zinc Nickel (Replaces 62GB at front of part no.)
- 62GBCU = Brass (Replaces 62GB at front of part no.)
- 62GBSS = Stainless Steel (Replaces 62GB at front of part no.)

Lanyard length codes

- 1054 = No Lanyard
- 1057 = 3" lanyard length
- 1058 = 4" lanyard length
- 1059 = 5" lanyard length
- 1060 = 6" lanyard length
- 1062 = 8" lanyard length
- 1064 = 10" lanyard length

GASKET



Material: Polychoroprene

Thickness: .029 (.74) +/-0.13 (.33)

SHELL SIZE	GASKET
8	62GB-760-08
10	62GB-760-10
12	62GB-760-12
14	62GB-760-14
16	62GB-760-16
18	62GB-760-18
20	62GB-760-20
22	62GB-760-22
24	62GB-760-24