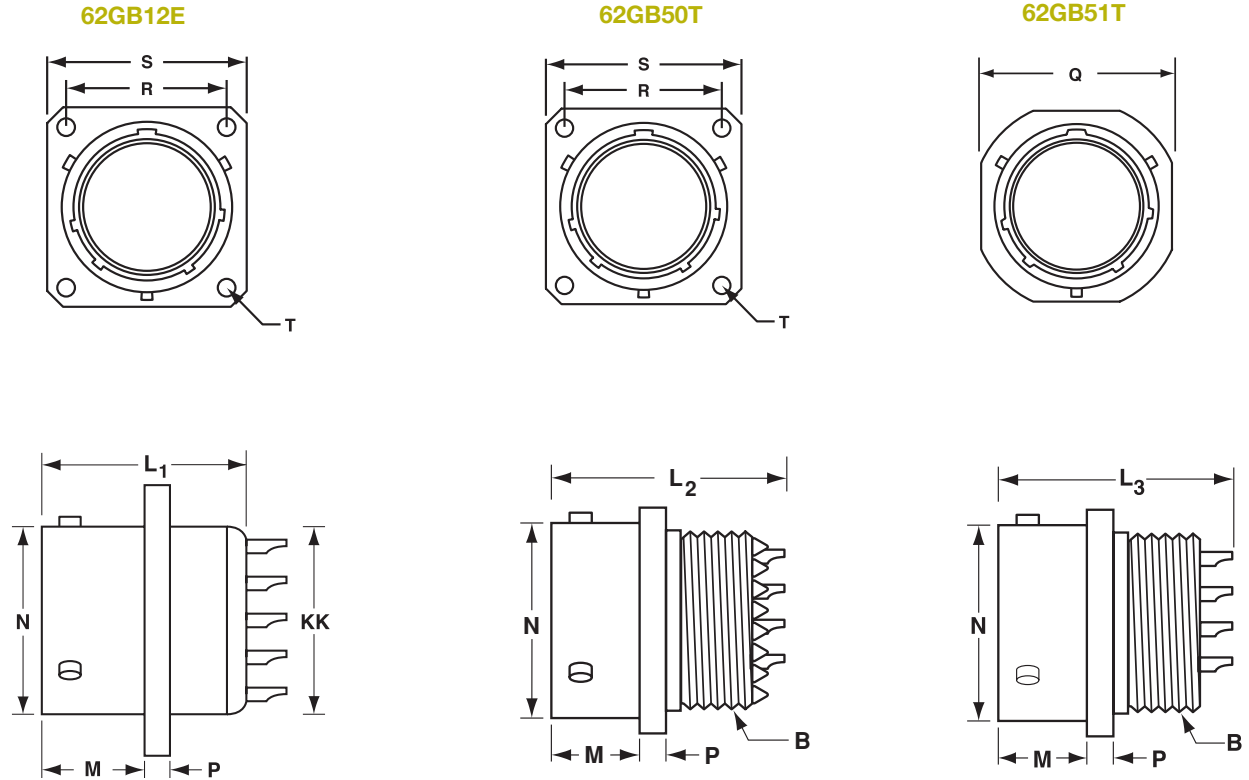


RECEPTACLE STYLES



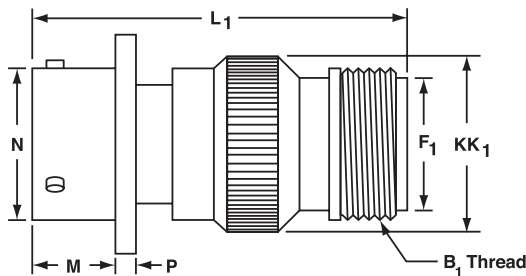
SHELL SIZE	62GB12/50/51/10/11			62GB12/50			62GB12E		62GB50T/62GB51T			
	M ±.005 (±0.13)	N ±.001 (±.055)	P ±.005 (±0.13)	R (TP)	S	T	L ₁	KK DIA. MAX.	L ₂	L ₃	B THREAD CLASS 2A	Q MAX. SQ.
8	0.445 (11.3)	0.473 (12.0)	0.062 (1.6)	0.594 (15.1)	0.817 (20.8)	0.120 (3.0)	0.800 (20.3)	.434 (11.0)	0.978 (24.8)	0.978 (24.8)	.4375-28 UNEF	.817 (20.8)
10	0.445 (11.3)	0.590 (15.0)	0.062 (1.6)	0.719 (18.3)	0.942 (23.9)	0.120 (3.0)	0.800 (20.3)	.558 (14.2)	0.978 (24.8)	0.978 (24.8)	.5625-24 UNEF	.942 (23.9)
12	0.445 (11.3)	0.750 (19.1)	0.062 (1.6)	0.812 (20.6)	1.036 (26.3)	0.120 (3.0)	0.800 (20.3)	.683 (17.3)	0.978 (24.8)	0.978 (24.8)	.6875-24 UNEF	1.036 (26.3)
14	0.445 (11.3)	0.875 (22.2)	0.062 (1.6)	0.906 (23.0)	1.130 (28.7)	0.120 (3.0)	0.800 (20.3)	.808 (20.5)	0.978 (24.8)	0.978 (24.8)	.8125-20 UNEF	1.130 (28.7)
16	0.445 (11.3)	1.000 (25.4)	0.062 (1.6)	0.969 (24.6)	1.223 (31.1)	0.120 (3.0)	0.800 (20.3)	.933 (23.7)	0.978 (24.8)	0.978 (24.8)	.9375-20 UNEF	1.223 (31.0)
18	0.445 (11.3)	1.125 (28.6)	0.062 (1.6)	1.062 (27.0)	1.317 (33.5)	0.120 (3.0)	0.800 (20.3)	1.057 (26.8)	0.978 (24.8)	0.978 (24.8)	1.0625-18 UNEF	1.317 (33.4)
20	0.555 (14.1)	1.250 (31.8)	0.080 (2.0)	1.156 (29.4)	1.442 (36.6)	0.120 (3.0)	0.875 (22.2)	1.182 (30.0)	1.048 (26.6)	1.048 (26.6)	1.1875-18 UNEF	1.442 (36.6)
22	0.555 (14.1)	1.375 (34.9)	0.080 (2.0)	1.250 (31.8)	1.567 (39.8)	0.120 (3.0)	0.875 (22.2)	1.307 (33.2)	1.048 (26.6)	1.048 (26.6)	1.3125-18 UNEF	1.567 (39.8)
24	0.590 (15.0)	1.500 (38.1)	0.080 (2.0)	1.375 (34.9)	1.692 (43.0)	0.147 (3.7)	0.875 (22.2)	1.432 (36.4)	1.048 (26.6)	1.048 (26.6)	1.4375-18 UNEF	1.692 (43.0)

NOTE: ➡ See page 157 for panel cutouts/thickness.

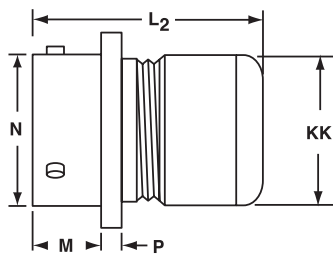
All dimensions in inches (millimeters in parenthesis)

ENDBELL STYLES

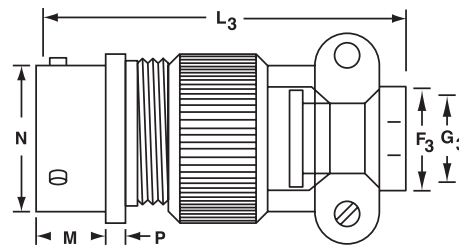
62GB10A
62GB11A



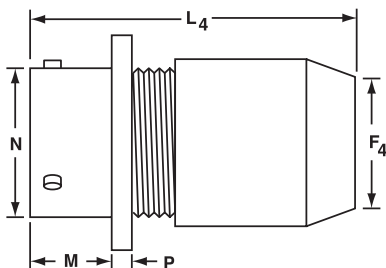
62GB10E
62GB11E



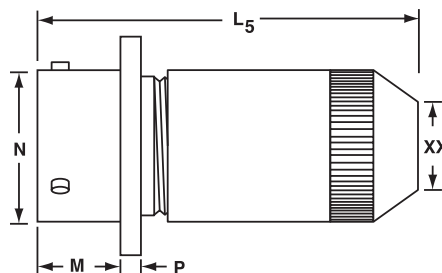
62GB10F
62GB11F



62GB10P
62GB11P



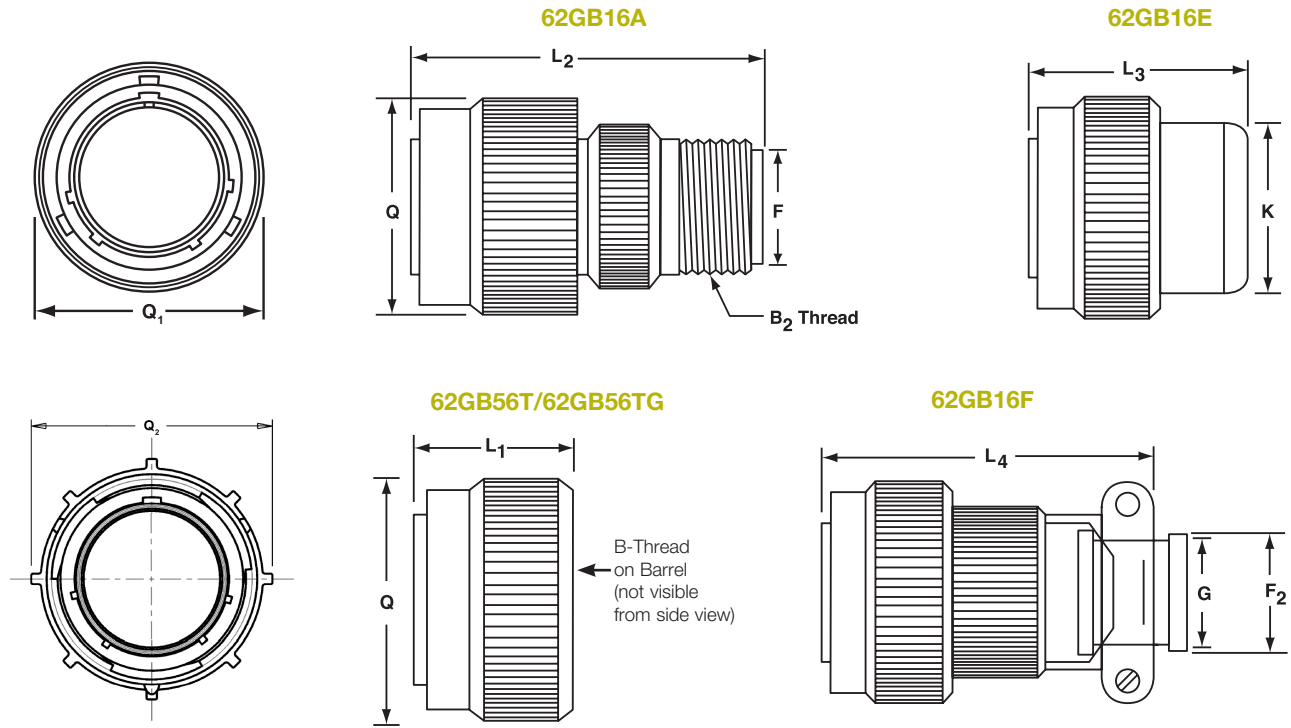
62GB10J
62GB11J



62GB10A/11A				62GB10E/11E		62GB10F/11F			62GB10P/11P		62GB10J/11J		
F ₁	L ₁	KK1 DIA. MAX.	B1 THREAD CLASS 2A	L ₂	KK2 DIA. MAX.	F ₃	G ₃	L ₃	F ₄	L ₄	L ₅	XX MIN.	XX MAX.
0.297 (7.5)	1.624 (41.2)	0.561 (14.2)	.5000-28 UNEF	1.281 (32.5)	0.561 (14.2)	0.240 (6.1)	0.156 (4.0)	1.762 (44.8)	0.260 (6.6)	1.453 (36.9)	1.846 (46.9)	0.168 (4.3)	0.230 (5.8)
0.421 (10.7)	1.624 (41.2)	0.686 (17.4)	.6250-24 UNEF	1.281 (32.5)	0.686 (17.4)	0.302 (7.7)	0.188 (4.8)	1.762 (44.8)	0.463 (11.8)	1.453 (36.9)	1.846 (46.9)	0.205 (5.2)	0.312 (7.9)
0.546 (13.9)	1.624 (41.2)	0.811 (20.6)	.7500-20 UNEF	1.281 (32.5)	0.811 (20.6)	0.428 (10.9)	0.312 (7.9)	1.762 (44.8)	0.577 (14.7)	1.453 (36.9)	1.947 (49.5)	0.338 (8.6)	0.442 (11.2)
0.663 (16.8)	1.624 (41.2)	0.936 (23.8)	.8750-20 UNEF	1.281 (32.5)	0.936 (23.8)	0.552 (14.0)	0.375 (9.5)	1.736 (44.1)	0.590 (15.0)	1.453 (36.9)	2.147 (54.5)	0.416 (10.6)	0.539 (13.7)
0.787 (20.0)	1.624 (41.2)	1.061 (26.9)	1.0000-20 UNEF	1.281 (32.5)	1.061 (26.9)	0.615 (15.6)	0.500 (12.7)	1.876 (47.7)	0.713 (18.1)	1.453 (36.9)	2.347 (59.6)	0.550 (14.0)	0.616 (15.6)
0.879 (22.3)	1.624 (41.2)	1.186 (30.1)	1.1875-18 UNEF	1.281 (32.5)	1.186 (30.1)	0.740 (18.8)	0.625 (15.9)	1.876 (47.7)	0.835 (21.2)	1.453 (36.9)	2.547 (64.7)	0.600 (15.2)	0.672 (17.1)
1.014 (25.8)	1.687 (42.8)	1.311 (33.3)	1.1875-18 UNEF	1.383 (35.1)	1.311 (33.3)	0.740 (18.8)	0.625 (15.9)	2.118 (53.8)	1.015 (25.8)	1.672 (42.5)	2.831 (71.9)	0.635 (16.1)	0.747 (19.0)
1.134 (28.8)	1.687 (42.8)	1.436 (36.5)	1.4375-18 UNEF	1.383 (35.1)	1.436 (36.5)	0.928 (23.6)	0.750 (19.1)	2.118 (53.8)	1.015 (25.8)	1.672 (42.5)	3.031 (77.0)	0.670 (17.0)	0.846 (21.5)
1.259 (32.0)	1.730 (43.9)	1.561 (39.6)	1.4375-18 UNEF	1.383 (35.1)	1.561 (39.6)	0.990 (25.1)	0.800 (20.3)	2.250 (57.2)	1.265 (32.1)	1.734 (44.0)	3.074 (78.1)	0.740 (18.8)	0.894 (22.7)

All dimensions in inches (millimeters in parenthesis)

STRAIGHT PLUG

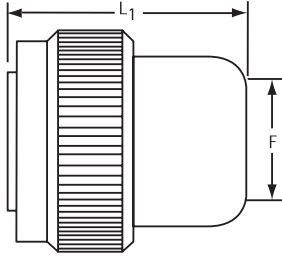


SHELL SIZE	62GB56T/62GB56TG				62GB16A			62GB12E		62GB16F		
	Q ₁ MAX.	Q ₂ +.005 / .004 (+.18 / .11)	L ₁ MAX.	B THREAD CLASS 2A	F	L ₂	B THREAD CLASS 2A	L ₃	K MAX.	F ₂	G	L ₄
8	0.750 (19.1)	0.865 (21.97)	0.976 (24.8)	.4375-28 UNEF	0.297 (7.5)	1.614 (41.0)	.5000-28 UNEF	1.281 (32.5)	0.561 (14.2)	0.240 (6.1)	0.156 (4.0)	1.752 (44.5)
10	0.859 (21.8)	0.986 (25.04)	0.976 (24.8)	.5625-24 UNEF	0.421 (10.7)	1.614 (41.0)	.6250-24 UNEF	1.281 (32.5)	0.686 (17.4)	0.302 (7.7)	0.188 (4.8)	1.752 (44.5)
12	1.013 (25.7)	1.137 (28.88)	0.976 (24.8)	.6875-24 UNEF	0.546 (13.9)	1.614 (41.0)	.7500-20 UNEF	1.281 (32.5)	0.811 (20.6)	0.428 (10.9)	0.312 (7.9)	1.752 (44.5)
14	1.156 (29.4)	1.262 (32.05)	0.976 (24.8)	.8125-20 UNEF	0.663 (16.8)	1.614 (41.0)	.8750-20 UNEF	1.281 (32.5)	0.936 (23.8)	0.552 (14.0)	0.375 (9.5)	1.726 (43.8)
16	1.281 (32.5)	1.396 (35.46)	0.976 (24.8)	.9375-20 UNEF	0.787 (20.0)	1.614 (41.0)	1.0000-20 UNEF	1.281 (32.5)	1.061 (26.9)	0.615 (15.6)	0.500 (12.7)	1.866 (47.4)
18	1.319 (33.5)	1.500 (38.10)	0.976 (24.8)	1.0625-18 UNEF	0.879 (22.3)	1.614 (41.0)	1.1875-18 UNEF	1.281 (32.5)	1.186 (30.1)	0.740 (18.8)	0.625 (15.9)	1.866 (47.4)
20	1.531 (38.9)	1.646 (41.81)	0.976 (24.8)	1.1875-18 UNEF	1.014 (25.8)	1.614 (41.0)	1.1875-18 UNEF	1.281 (32.5)	1.311 (33.3)	0.740 (18.8)	0.625 (15.9)	2.040 (51.8)
22	1.656 (42.1)	1.771 (44.98)	0.976 (24.8)	1.3125-18 UNEF	1.134 (28.8)	1.614 (41.0)	1.4375-18 UNEF	1.281 (32.5)	1.436 (36.5)	0.928 (23.6)	0.750 (19.1)	2.040 (51.8)
24	1.777 (45.1)	1.892 (48.06)	0.976 (24.8)	1.4375-18 UNEF	1.259 (32.0)	1.658 (42.1)	1.4375-18 UNEF	1.281 (32.5)	1.561 (39.6)	0.990 (25.1)	0.800 (20.3)	2.178 (55.3)

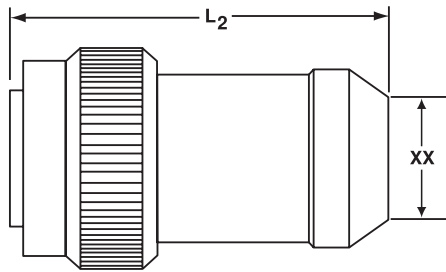
All dimensions in inches (millimeters in parenthesis)

STRAIGHT PLUG STYLES

62GB16P



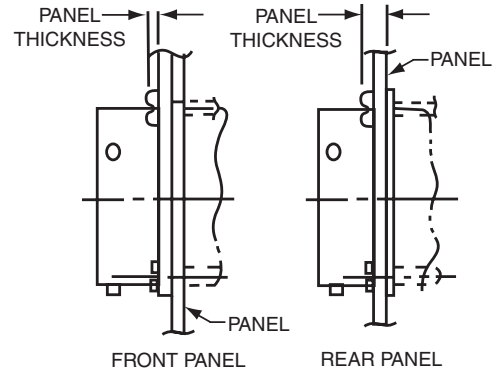
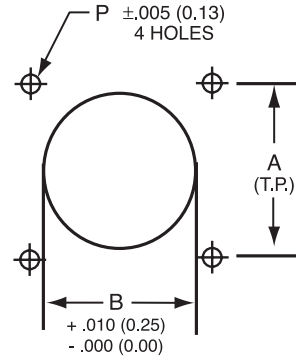
62GB16J



62GB16P		62GB16J		
F	L ₁	L ₂	CABLE OD	
			XX MIN.	XX MAX.
0.260 (6.6)	1.306 (33.2)	1.836 (46.6)	0.168 (4.3)	0.230 (5.8)
0.463 (11.8)	1.415 (35.9)	1.836 (46.6)	0.205 (5.2)	0.312 (7.9)
0.557 (14.1)	1.384 (35.2)	1.937 (49.2)	0.338 (8.6)	0.442 (11.2)
0.590 (15.0)	1.384 (35.2)	2.137 (54.3)	0.416 (10.6)	0.539 (13.7)
0.713 (18.1)	1.384 (35.2)	2.337 (59.4)	0.550 (14.0)	0.616 (15.6)
0.835 (21.2)	1.384 (35.2)	2.537 (64.4)	0.600 (15.2)	0.672 (17.1)
1.015 (25.8)	1.539 (39.1)	2.758 (70.1)	0.635 (16.1)	0.747 (19.0)
1.015 (25.8)	1.539 (39.1)	2.958 (75.1)	0.670 (17.0)	0.846 (21.5)
1.265 (32.1)	1.602 (40.7)	3.002 (76.3)	0.740 (18.8)	0.894 (22.7)

PANEL CUTOUT/THICKNESS

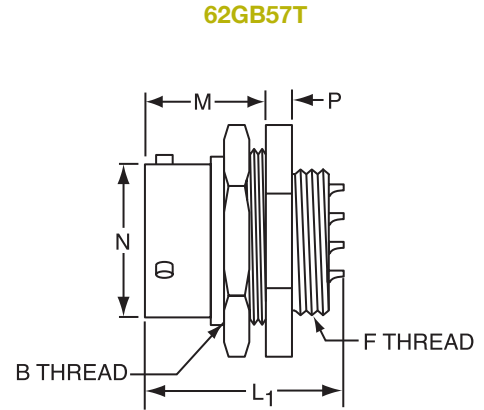
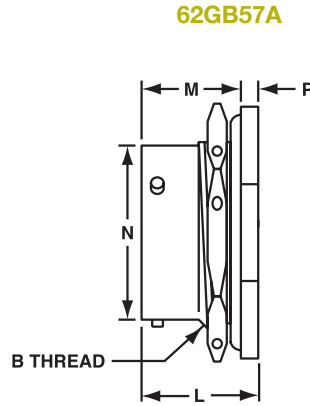
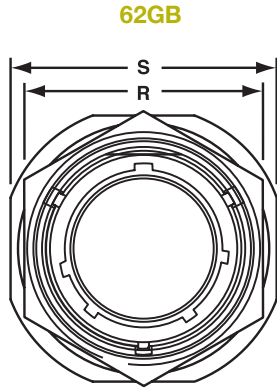
62GB12E
62GB50T
62GB10



SHELL SIZE	B FRONT MOUNT	A	P ±.005	SCREW SIZE	PANEL THICKNESS
8	0.449 (11.4)	0.594 (15.1)	0.125 (3.2)	#4	0.087 (2.2)
10	0.573 (14.6)	0.719 (18.3)	0.125 (3.2)	#4	0.087 (2.2)
12	0.699 (17.8)	0.812 (20.6)	0.125 (3.2)	#4	0.087 (2.2)
14	0.823 (20.9)	0.906 (23.0)	0.125 (3.2)	#4	0.087 (2.2)
16	0.949 (24.1)	0.969 (24.6)	0.125 (3.2)	#4	0.087 (2.2)
18	1.073 (27.3)	1.062 (27.0)	0.125 (3.2)	#4	0.087 (2.2)
20	1.199 (30.5)	1.156 (29.4)	0.125 (3.2)	#4	0.212 (5.4)
22	1.323 (33.6)	1.250 (31.8)	0.125 (3.2)	#4	0.212 (5.4)
24	1.449 (36.8)	1.375 (34.9)	0.155 (3.9)	#6	0.212 (5.4)

All dimensions in inches (millimeters in parenthesis)

JAM NUT RECEPTACLES



SHELL SIZE	62GB57/62GB17P							PANEL THICKNESS	
	B THREAD CLASS 2A	M ±.005 (± 0.13)	N	P ±.005 (± 0.13)	R	S	J MIN.	J MAX.	
	8	.5625-24 UNEF	0.706 (17.9)	0.473 (12.0)	0.117 (3.0)	0.750 (19.1)	0.942 (23.9)	0.062 (1.6)	0.125 (3.2)
10	.6875-24 UNEF	0.706 (17.9)	0.590 (15.0)	0.117 (3.0)	0.875 (22.2)	1.067 (27.1)	0.062 (1.6)	0.125 (3.2)	
12	.8750-20 UNEF	0.706 (17.9)	0.750 (19.1)	0.117 (3.0)	1.062 (27.0)	1.255 (31.9)	0.062 (1.6)	0.125 (3.2)	
14	1.0000-20 UNEF	0.706 (17.9)	0.875 (22.2)	0.117 (3.0)	1.187 (30.1)	1.380 (35.1)	0.062 (1.6)	0.125 (3.2)	
16	1.1250-18 UNEF	0.706 (17.9)	1.000 (25.4)	0.117 (3.0)	1.312 (33.3)	1.505 (38.2)	0.062 (1.6)	0.125 (3.2)	
18	1.2500-18 UNEF	0.706 (17.9)	1.125 (28.6)	0.117 (3.0)	1.437 (36.5)	1.630 (41.4)	0.062 (1.6)	0.125 (3.2)	
20	1.3750-18 UNEF	0.894 (22.7)	1.250 (31.8)	0.148 (3.8)	1.562 (39.7)	1.817 (46.2)	0.062 (1.6)	0.250 (6.4)	
22	1.5000-18 UNEF	0.894 (22.7)	1.375 (34.9)	0.148 (3.8)	1.687 (42.8)	1.942 (49.3)	0.062 (1.6)	0.250 (6.4)	
24	1.6250-18 UNEF	0.927 (23.5)	1.500 (38.1)	0.148 (3.8)	1.812 (46.0)	2.067 (52.5)	0.062 (1.6)	0.250 (6.4)	

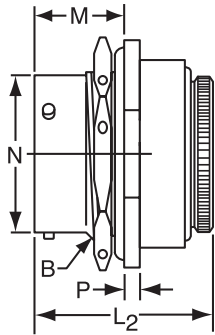
62GB57A
L MAX.
0.823 (20.9)
0.823 (20.9)
0.823 (20.9)
0.823 (20.9)
0.823 (20.9)
0.823 (20.9)
1.042 (26.5)
1.042 (26.5)
1.075 (27.3)

62GB57T	
L ₁ MAX.	F THREAD CLASS 2A
0.978 (24.8)	.4375-28 UNEF
0.978 (24.8)	.5625-24 UNEF
0.978 (24.8)	.6875-24 UNEF
0.978 (24.8)	.8125-20 UNEF
0.978 (24.8)	.9375-20 UNEF
0.978 (24.8)	1.0625-18 UNEF
1.048 (26.6)	1.1875-18 UNEF
1.048 (26.6)	1.3125-18 UNEF
1.048 (26.6)	1.4375-18 UNEF

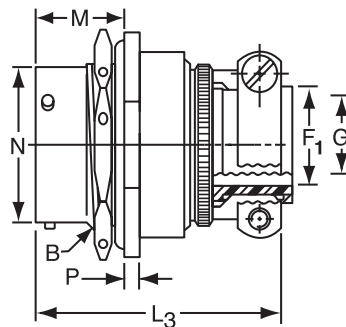
All dimensions in inches (millimeters in parenthesis)

JAM NUT RECEPTACLES

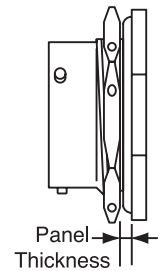
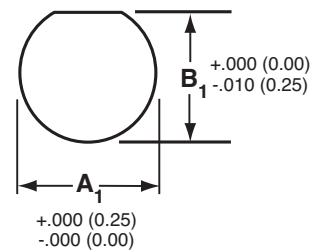
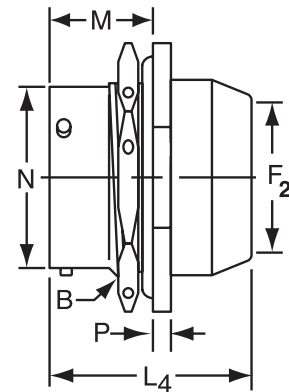
62GB14E



62GB14F



62GB17P



62GB14E	
L ₂ MAX.	
1.344	(34.1)
1.344	(34.1)
1.344	(34.1)
1.344	(34.1)
1.344	(34.1)
1.344	(34.1)
1.344	(34.1)
1.344	(34.1)
1.576	(40.0)
1.576	(40.0)
1.609	(40.9)

62GB14F		
F ₁ MIN.	G ±0.005 (±0.13)	L ₃
0.240	0.156 (4.0)	1.762 (44.8)
0.302	0.188 (4.8)	1.762 (44.8)
0.428	0.312 (7.9)	1.762 (44.8)
0.552	0.375 (9.5)	1.762 (44.8)
0.615	0.500 (12.7)	1.876 (47.7)
0.740	0.625 (15.9)	1.876 (47.7)
0.740	0.625 (15.9)	2.118 (53.8)
0.928	0.750 (19.1)	2.118 (53.8)
0.990	0.800 (20.3)	2.250 (57.2)

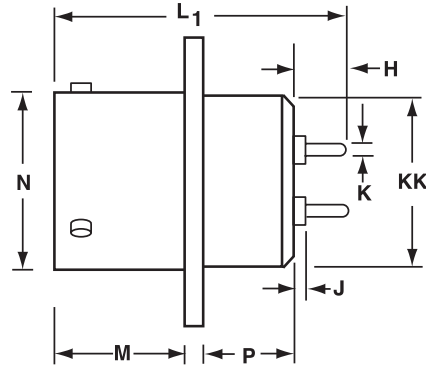
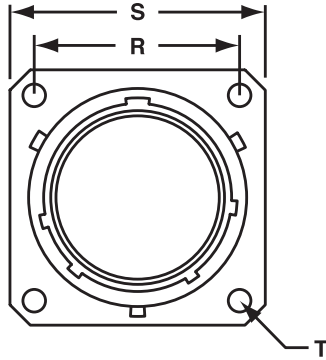
62GB17P	
F ₂	L ₄
0.260	1.391 (35.3)
0.463	1.391 (35.3)
0.577	1.391 (35.3)
0.590	1.391 (35.3)
0.713	1.391 (35.3)
0.835	1.391 (35.3)
1.015	1.641 (41.7)
1.015	1.641 (41.7)
1.265	1.674 (42.5)

SHELL SIZE	A1 +010-.000 (+.25-.00)	B1 +.000-.010 (+.00-.25)	PANEL THICKNESS	
			MIN.	MAX.
8	0.572 (14.5)	0.542 (13.8)	0.062 (1.6)	0.125 (3.2)
10	0.697 (17.7)	0.669 (17.0)	0.062 (1.6)	0.125 (3.2)
12	0.884 (22.5)	0.830 (21.1)	0.062 (1.6)	0.125 (3.2)
14	1.007 (25.6)	0.955 (24.3)	0.062 (1.6)	0.125 (3.2)
16	1.134 (28.8)	1.084 (27.5)	0.062 (1.6)	0.125 (3.2)
18	1.259 (32.0)	1.208 (30.7)	0.062 (1.6)	0.125 (3.2)
20	1.384 (35.2)	1.333 (33.9)	0.062 (1.6)	0.250 (6.4)
22	1.507 (38.3)	1.459 (37.1)	0.062 (1.6)	0.250 (6.4)
24	1.634 (41.5)	1.575 (40.0)	0.062 (1.6)	0.250 (6.4)

All dimensions in inches (millimeters in parenthesis)

RECEPTACLES

PCB BOX MOUNT
62GB-12E-219



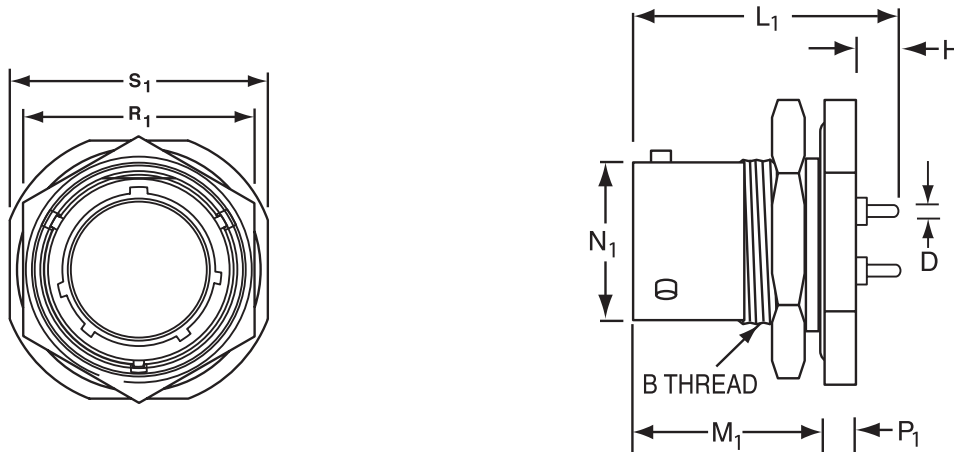
62GB12E-219

SHELL SIZE	M ±.005 (± 0.13)	N +.001 -.055	P	R (TP)	S	T DIA.	L ₁ MAX.	H MAX.	H MIN.	KK DIA. MAX.	K +/- .001 (0.025)	J +/- .020 (0.51)
8	0.445 (11.3)	0.473 (12.0)	0.062 (1.6)	0.594 (15.1)	0.817 (20.8)	0.120 (3.0)	0.982 (24.85)	0.198 (5.03)	0.166 (4.22)	0.434 (11.0)	0.029 (0.73)	0.089 (2.26)
10	0.445 (11.3)	0.590 (15.0)	0.062 (1.6)	0.719 (18.3)	0.992 (23.9)	0.120 (3.0)	0.982 (24.85)	0.198 (5.03)	0.166 (4.22)	0.558 (14.2)	0.029 (0.73)	0.089 (2.26)
12	0.445 (11.3)	0.750 (19.1)	0.062 (1.6)	0.812 (20.6)	1.036 (26.3)	0.120 (3.0)	0.982 (24.85)	0.198 (5.03)	0.166 (4.22)	0.683 (17.3)	0.029 (0.73)	0.089 (2.26)
14	0.445 (11.3)	0.875 (22.2)	0.062 (1.6)	0.906 (23.0)	1.130 (28.7)	0.120 (3.0)	0.982 (24.85)	0.198 (5.03)	0.166 (4.22)	0.808 (20.5)	0.029 (0.73)	0.089 (2.26)
16	0.445 (11.3)	1.000 (25.4)	0.062 (1.6)	0.969 (24.6)	1.223 (31.1)	0.120 (3.0)	0.982 (24.85)	0.198 (5.03)	0.166 (4.22)	0.933 (23.7)	0.029 (0.73)	0.089 (2.26)
18	0.445 (11.3)	1.125 (28.6)	0.062 (1.6)	1.062 (27.0)	1.317 (33.5)	0.120 (3.0)	0.982 (24.85)	0.198 (5.03)	0.166 (4.22)	1.057 (26.8)	0.029 (0.73)	0.089 (2.26)
20	0.555 (14.1)	1.250 (31.8)	0.080 (2.4)	1.156 (29.4)	1.442 (36.6)	0.120 (3.0)	1.057 (26.85)	0.185 (4.70)	0.153 (3.89)	1.182 (30.0)	0.029 (0.73)	0.076 (1.93)
22	0.555 (14.1)	1.375 (34.9)	0.080 (2.4)	1.250 (31.8)	1.567 (39.8)	0.120 (3.0)	1.057 (26.85)	0.185 (4.70)	0.153 (3.89)	1.307 (33.2)	0.029 (0.73)	0.076 (1.93)
24	0.590 (15.0)	1.500 (38.1)	0.080 (3.2)	1.375 (34.9)	1.692 (43.0)	0.147 (3.7)	1.057 (26.85)	0.185 (4.70)	0.153 (3.89)	1.432 (36.4)	0.029 (0.73)	0.076 (1.93)

All dimensions in inches (millimeters in parenthesis)

RECEPTACLES

PCB JAM NUT
62GB57A-219



62GB-57A-219

SHELL SIZE	B THREAD CLASS 2A	M ₁ ±.005 (± 0.13)	N ₁	P ₁ ±.005 (± 0.13)	R ₁	S ₁	L ₁ MAX.	H MIN.	H MAX.	D +/- .001 (0.025)
8	.5625-24	0.706	0.473	0.117	0.750	0.942	0.976	0.133	0.173	0.029
	UNEF	(17.9)	(12.0)	(3.0)	(19.1)	(23.9)	(24.79)	(3.38)	(4.40)	(0.73)
10	.6875-24	0.706	0.590	0.117	0.875	1.067	0.976	0.133	0.173	0.029
	UNEF	(17.9)	(15.0)	(3.0)	(22.2)	(27.1)	(24.79)	(3.38)	(4.40)	(0.73)
12	.8750-20	0.706	0.750	0.117	1.062	1.255	0.976	0.133	0.173	0.029
	UNEF	(17.9)	(19.1)	(3.0)	(27.0)	(31.9)	(24.79)	(3.38)	(4.40)	(0.73)
14	1.0000-20	0.706	0.875	0.117	1.187	1.380	0.976	0.133	0.173	0.029
	UNEF	(17.9)	(22.2)	(3.0)	(30.1)	(35.1)	(24.79)	(3.38)	(4.40)	(0.73)
16	1.1250-18	0.706	1.000	0.117	1.312	1.505	0.976	0.133	0.173	0.029
	UNEF	(17.9)	(25.4)	(3.0)	(33.3)	(38.2)	(24.79)	(3.38)	(4.40)	(0.73)
18	1.2500-18	0.706	1.125	0.117	1.437	1.630	0.976	0.133	0.173	0.029
	UNEF	(17.9)	(28.6)	(3.0)	(36.5)	(41.4)	(24.79)	(3.38)	(4.40)	(0.73)
20	1.3750-18	0.894	1.250	0.148	1.562	1.817	1.195	0.133	0.173	0.029
	UNEF	(22.7)	(31.8)	(3.8)	(39.7)	(46.2)	(30.35)	(3.38)	(4.40)	(0.73)
22	1.5000-18	0.894	1.375	0.148	1.687	1.942	1.195	0.133	0.173	0.029
	UNEF	(22.7)	(34.9)	(3.8)	(42.8)	(49.3)	(30.35)	(3.38)	(4.40)	(0.73)
24	1.6250-18	0.927	1.500	0.148	1.812	2.067	1.228	0.133	0.173	0.029
	UNEF	(23.5)	(38.1)	(3.8)	(46.0)	(52.5)	(31.19)	(3.38)	(4.40)	(0.73)

All dimensions in inches (millimeters in parenthesis)