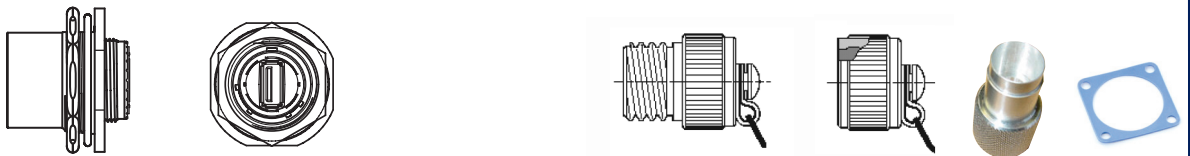


USBBFTV TRANSVERSALLY-SEALED



PLATING	PLUG	RECEPTACLES					
	STANDARD USB-B PLUG	SQUARE FLANGE			JAM NUT		
		OPEN CABLE	W/ BACKSHELL PLASTIC GLAND	W/ BACKSHELL METAL GLAND	OPEN CABLE	W/ BACKSHELL PLASTIC GLAND	W/ BACKSHELL METAL GLAND
Nickel	USBBFTV2S2N**A	USBBFTV2S2N**OPEN	USBBFTV2PES2N**A	USBBFTV2PEMS2N**A	USBBFTV7S2N**OPEN	USBBFTV7PES2N**A	USBBFTV7PEMS2N**A
Olive Drab Cadium	USBBFTV2S2G**A	USBBFTV2S2G**OPEN	USBBFTV2PES2G**A	USBBFTV2PEMS2G**A	USBBFTV7S2G**OPEN	USBBFTV7PES2G**A	USBBFTV7PEMS2G**A

* Coding A, B, C, D ** Select for Cordset Length 03 = 11.81 (0.30M) 05 = 19.68 (0.50M) 10 = 39.37 (1.00M) 15 = 59.05 (1.50M)



RECEPTACLES				ACCESSORIES				
JAM NUT				METALLIC DUST CAPS			REMOVAL TOOL	GASKET
FEMALE USB-A		SOLDER (4 TINNED HOLES)		PLUG	FLANGE	JAM NUT		
STANDARD	METAL BACKSHELL	METAL BACKSHELL + PLASTIC GLAND	METAL GLAND					
USBBFTV71N	USBBFTV7PE1N	USBBFTV7PE2N	USBBFTV7PEM2N	USBFVC6N	USBFVC2N	USBFVC7N	USBBF ODE	JE-15
USBBFTV71G	USBBFTV7PE1G	USBBFTV7PE2G	USBBFTV7PEM2G	USBFVC6G	USBFVC2G	USBFVC7G	USBBF ODE	JE-15

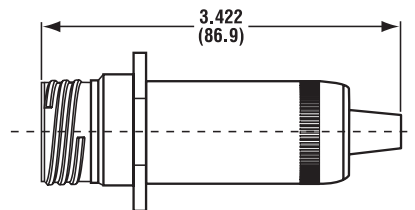
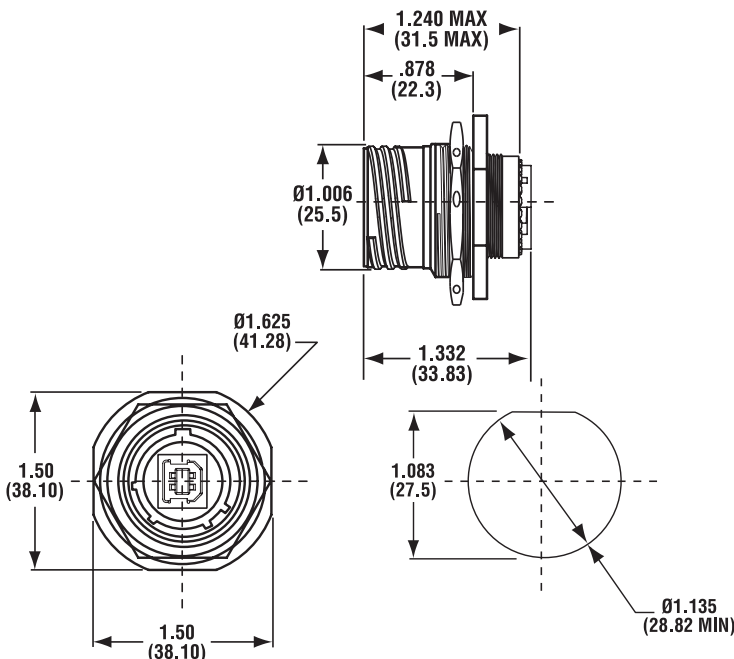
RECEPTACLE

USBBFTV7

Jam Nut Receptacle

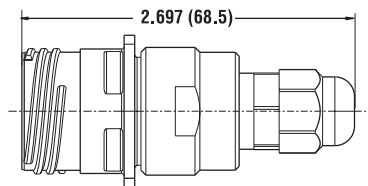
USBBF TV 2PE/7PE-1

Backshell used with back termination type 1: USB-A receptacle



USBBF TV 2PE(M)/7PE(M)-2

Backshell used with back termination type 2: Solder IP68



Panel Cutout