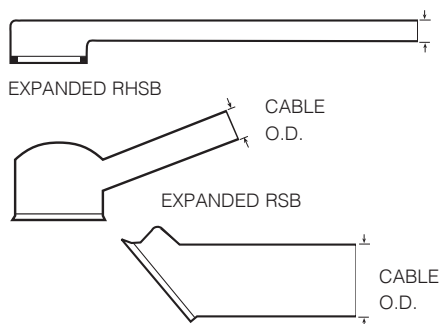


RIGHT ANGLE HEAT SHRINK BOOTS

RECOVERED RSB and RHSB



Right angle heat shrink boots are supplied in flame-retardant polyolefin with an adhesive inner liner. A high shrink-ratio version for sealing smaller wire bundles is also available. The adhesive liner is heat-activated and bonds to the underlying surface, filling any small voids that might exist. When cool, the adhesive forms a barrier against water, moisture, dirt and other environmental contaminants. The lip on the connector end of the recovered boot fits into the sealing groove. Operating temperature is -67° F to 275° F (-55° C to 135° C). These boots are also available in halogen-free polyolefin, semi-rigid polyolefin, silicone, or Viton, with or without adhesive liner.

HEAT SHRINK BOOT PART NUMBER	CABLE O.D.		LENGTH ± 10%	AIT, AIB/GT G STYLE (MIL-DTL-5015 STYLE) SHELL SIZE														
	MAX	MIN		10SL	12S	14S	16S/16	18	20	22	24	28	32	36				
RHSB1	0.24 (6.1)	0.08 (2.0)	1.77 (45.0)	●	●													
RHSB2	0.30 (7.6)	0.10 (2.5)	2.64 (67.1)			●	●	●										
RHSB3	0.37 (9.4)	0.12 (3.0)	3.17 (81.0)							●	●							
RHSB4	0.45 (11.4)	0.14 (3.6)	4.57 (116.1)								●	●	●	●				
RSB1	0.88 (22.4)	0.23 (5.8)	4.14 (105.2)	●	●													
RSB2	1.01 (25.7)	0.26 (6.6)	4.88 (124.0)	●	●	●	●	●										
RSB3	1.16 (29.5)	0.30 (7.6)	5.76 (146.3)			●	●	●										
RSB4	1.34 (34.0)	0.35 (8.9)	6.78 (172.2)					●	●	●	●							
RSB5	1.47 (37.3)	0.37 (9.4)	7.29 (185.2)								●	●						
RSB6	1.72 (43.7)	0.44 (11.2)	7.93 (201.4)												●	●		
RSB7	1.97 (50.0)	0.51 (13.0)	8.84 (224.5)													●	●	●
RSB8	2.47 (62.7)	0.69 (17.5)	8.95 (227.3)														●	●

HEAT SHRINK BOOT PART NUMBER	CABLE O.D.		LENGTH ± 10%	MB M85049/60 (MIL-DTL-26482 STYLE) SHELL SIZE										LJT/SJT/JT M85049/62 & TV-CTV M85049/69 (MIL-DTL-38999 STYLE) SHELL SIZE									
	MAX	MIN		8	10	12	14	16	18	20	22	24	A 8/9	B 10/11	C 12/13	D 14/15	E 16/17	F 18/19	G 20/21	H 22/23	J 24/25		
RHSB1	0.24 (6.1)	0.08 (2.0)	1.77 (45.0)	●	●								●	●									
RHSB2	0.30 (7.6)	0.10 (2.5)	2.64 (67.1)			●	●	●						●	●	●							
RHSB3	0.37 (9.4)	0.12 (3.0)	3.17 (81.0)						●	●							●	●					
RHSB4	0.45 (11.4)	0.14 (3.6)	4.57 (116.1)								●	●							●	●			
RSB1	0.88 (22.4)	0.23 (5.8)	4.14 (105.2)	●	●	●	●						●	●	●	●							
RSB2	1.01 (25.7)	0.26 (6.6)	4.88 (124.0)		●	●	●	●						●	●	●							
RSB3	1.16 (29.5)	0.30 (7.6)	5.76 (146.3)			●	●	●	●					●	●	●	●						
RSB4	1.34 (34.0)	0.35 (8.9)	6.78 (172.2)					●	●	●	●				●	●	●	●					
RSB5	1.47 (37.3)	0.37 (9.4)	7.29 (185.2)							●	●	●						●	●		●		
RSB6	1.72 (43.7)	0.44 (11.2)	7.93 (201.4)								●	●							●	●		●	

All dimensions in inches (millimeters in parenthesis)