

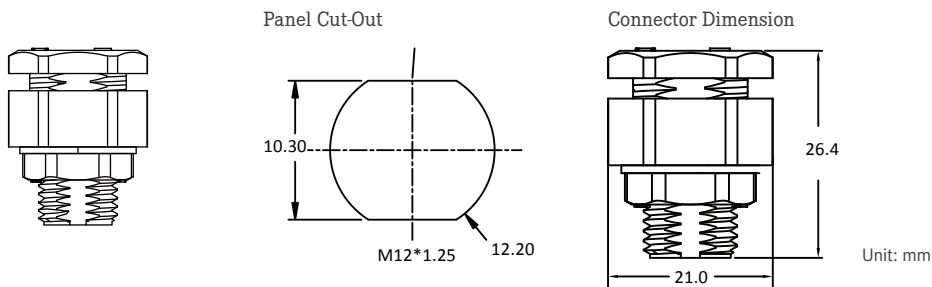


## CATALOGUE

## Vent Connector

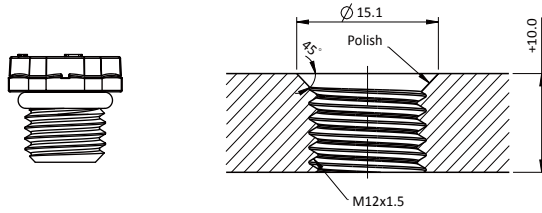


## Find Our Standard Products

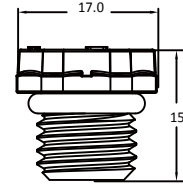


| Part Number   |                         | VENT-BD001                 | VENT-BD002                 |
|---------------|-------------------------|----------------------------|----------------------------|
| Specification | Assembly Type           | Screw M12 x 1.25, With Nut | Screw M12 x 1.25, With Nut |
|               | Environment Temperature | -20 ~ 105°C                | -20 ~ 105°C                |
|               | Waterproof Rating       | IP67                       | IP67                       |
|               | Air Permeability        | 12sec/100cm <sup>3</sup>   | 10sec/100cm <sup>3</sup>   |
|               | Water Entry Pressure    | > 100kPa                   | > 200kPa                   |
| Material      | Housing                 | PBT+PC                     | PBT+PC                     |
|               | Membrane                | PTFE                       | PTFE                       |
|               | Sealing                 | EPDM                       | EPDM                       |
|               | Housing Color           | Black                      | Black                      |

Panel Section



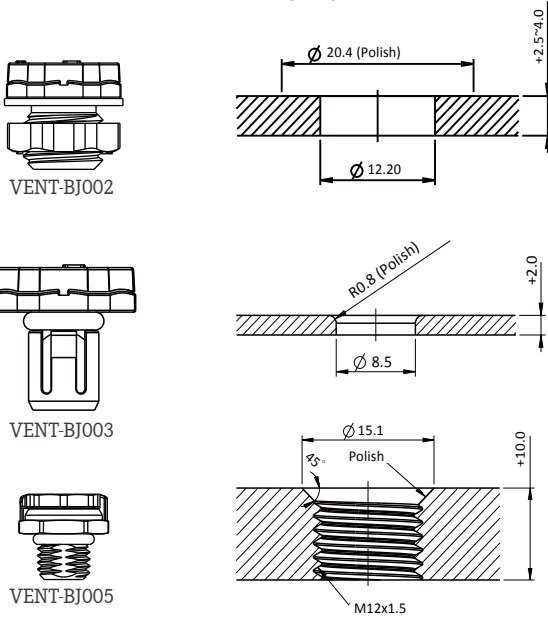
Connector Dimension



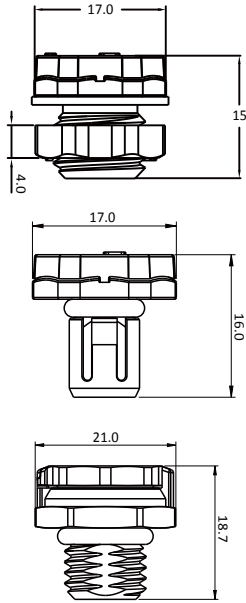
Unit: mm

| Part Number   |                         | VENT-BJ001                | VENT-BJ004                | VENT-BJ006                |
|---------------|-------------------------|---------------------------|---------------------------|---------------------------|
| Specification | Assembly Type           | Screw M12x1.5             | Screw M12x1.5             | Screw M12x1.5             |
|               | Environment Temperature | -40°C ~ 105°C             | -40°C ~ 125°C             | -40°C ~ 125°C             |
|               | Waterproof Rating       | IP68(1M · 60mins) / IP69K | IP68(2M · 30mins) / IP69K | IP68(2M · 30mins) / IP69K |
|               | Air Permeability        | > 260ml/min @70mbar       | > 450ml/min @70mbar       | > 450ml/min @70mbar       |
|               | Water Entry Pressure    | > 60kPa                   | > 29kPa                   | > 29kPa                   |
| Material      | Housing                 | mPPE                      | mPPE                      | PA66                      |
|               | Membrane                | PTFE                      | PTFE                      | PTFE                      |
|               | Sealing                 | Silicone                  | Silicone                  | Silicone                  |
|               | Housing Color           | Black                     | Black                     | Gray                      |

Panel Section



Connector Dimension



Unit: mm

| Part Number   |                         | VENT-BJ002               | VENT-BJ003               | VENT-BJ005           |
|---------------|-------------------------|--------------------------|--------------------------|----------------------|
| Specification | Assembly Type           | NUT                      | Snap-in                  | Screw M12x1.5        |
|               | Environment Temperature | -40°C ~ 105°C            | -40°C ~ 105°C            | -40°C ~ 105°C        |
|               | Waterproof Rating       | IP68(1M · 60mins), IP69K | IP68(1M · 60mins), IP69K |                      |
|               | Air Permeability        | > 260ml/min @70mbar      | > 260ml/min @70mbar      | > 1760ml/min @70mbar |
|               | Water Entry Pressure    | > 60kPa                  | > 60kPa                  | > 29kPa              |
| Material      | Housing                 | mPPE                     | mPPE                     | Zinc Alloy           |
|               | Membrane                | PTFE                     | PTFE                     | PTFE                 |
|               | Sealing                 | Silicone                 | Silicone                 | Silicone             |
|               | Housing Color           | Black                    | Black                    | Silver               |

\* Design and specification are subject to change without notice.

**Amphenol LTW Technology Co., Ltd.**

5F-3, No.51, Sec.4, Zhongyang Rd., Tucheng Dist., New Taipei City 236, Taiwan  
Telephone: +886-2-77416888 Fax: +886-2-77416999  
[www.amphenolltw.com](http://www.amphenolltw.com)

**Kunshan Factory**

No. 62, DaTong Road, Development Zone, Kunshan City, JiangSu Province, 215333 China  
Telephone: +86-512-5761-0501  
Fax: : +86-512-5761-0515

**For further information, please contact :**

Sales & Marketing Department | Email : [sales@ltw-tech.com](mailto:sales@ltw-tech.com)