

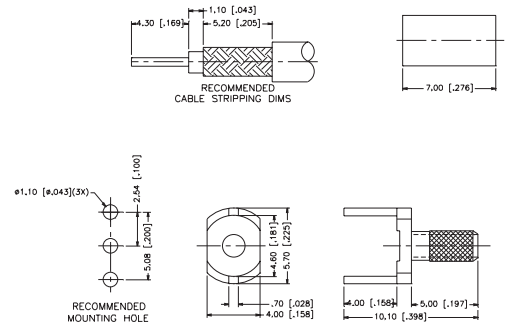
SHIELDED TERMINATIONS FOR COAXIAL CABLE

Coaxial terminators are a low-cost solution to connect directly to your PC board, or where a signal needs to be continued within the equipment while the braid is terminated to the panel. Connex offers a large selection of cable types and connector styles. Fits MCX, SMA, SMB and SMC mounting-hole spacing.

C A B L E G R O U P L E G E N D			
01	58/ 58A/ 58C/ 141/ 303/ LMR195™/ B7806A	06A	179/ U DOUBLE BRAIDED
01A	55/ 142/ 223/ 400	07	8/ 8A/ 213/ 393
01B	LMR200™/ B7807A	07A	214
02	58 PLENUM/THINNET/ 122U/ B88240/ B89907	07B	8X/ LMR240™/ B7808A
03	59/ 62/ 140/ 210	07C	B9913/ LMR400™/ B7810A/ B8214
03A	59/ U-20AWG	07D	B89913
04	59/ U PLENUM	07E	11
04A	59/ U PLENUM-20AWG	07F	11/ U-14AWG/ B8213/ B9292/ B7731/ B1859A
05	174/ 188A/ 316/ B7805A	08	6/ 143/ 212
05A	316/ U DOUBLE BRAIDED	08A	B1694A/ B9248
06	179/ 187/ B9221	08B	6 PLENUM/ B1695A
		09	B8227/ 89207
		10	.141 SEMI-RIGID/ 402/U
		11	.085 SEMI-RIGID/ 405/U
		12	.250 SEMI-RIGID
		13	.047 SEMI-RIGID/ B1674A
		14	178/ 196
		15	B8281/ B9231/ B9141
		15A	B88281
		16	180/ 195/ 122/ B8218/ B1865A/ B1855
		17	LMR600™
		18	AT&T734A/ B1505A
		19	AT&T735A/ B735A1

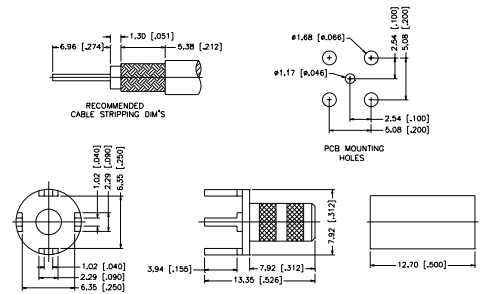
STRAIGHT CRIMP PCB — 2-HOLE MOUNT

P.N.	Cable Group	Finish	Insulation	Impedance	Crimp Tool
142258	01	Gold	N/A	N/A	N/A
142259	01A	Gold	N/A	N/A	N/A
142260	03	Gold	N/A	N/A	N/A
142256	05/06	Gold	N/A	N/A	N/A
142257	05A/06A	Gold	N/A	N/A	N/A
142305	11	Gold	N/A	N/A	N/A
142261	14	Gold	N/A	N/A	N/A
142262	16	Gold	N/A	N/A	N/A



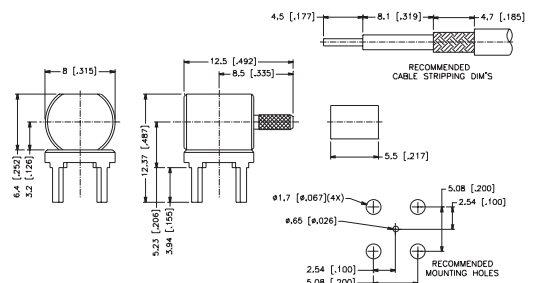
STRAIGHT CRIMP PCB — 4-HOLE MOUNT

P.N.	Cable Group	Finish	Insulation	Impedance	Crimp Tool
142197	01	Nickel	N/A	N/A	A
142198	01	Gold	N/A	N/A	A
142263	01A	Gold	N/A	N/A	A
142264	03	Gold	N/A	N/A	A
142199	05/06	Nickel	N/A	N/A	B
142200	05/06	Gold	N/A	N/A	B
142265	05A/06A	Gold	N/A	N/A	C
142266	14	Gold	N/A	N/A	B
142267	16	Gold	N/A	N/A	B



RIGHT ANGLE CRIMP PCB — 4-HOLE MOUNT

P.N.	Cable Group	Finish	Insulation	Impedance	Crimp Tool
142268	05/06	Gold	N/A	N/A	B
142269	05A/06A	Gold	N/A	N/A	C
142270	14	Gold	N/A	N/A	B

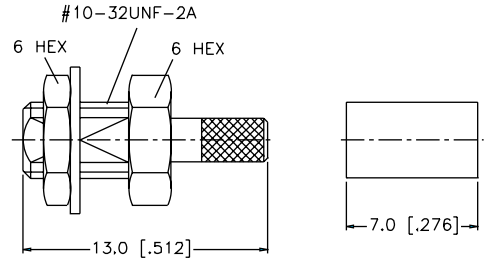
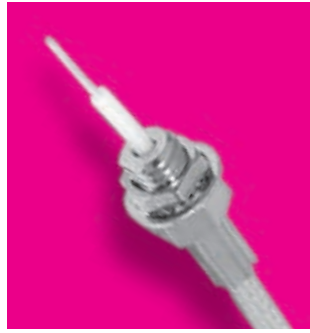


SHIELDED TERMINATIONS FOR COAXIAL CABLE

For Cable Group Legend, see page 66

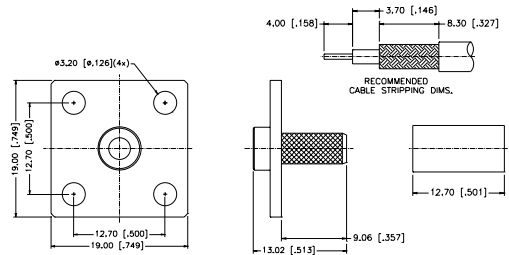
STRAIGHT CRIMP — BULKHEAD MOUNT

P.N.	Cable Group	Finish	Insulation	Impedance	Crimp Tool
142271	01	Nickel	N/A	N/A	A
142272	01A	Nickel	N/A	N/A	A
142273	03	Nickel	N/A	N/A	A
142207	05/06	Nickel	N/A	N/A	B
142274	05A/06A	Nickel	N/A	N/A	C
142275	14	Nickel	N/A	N/A	B
142276	16	Nickel	N/A	N/A	B



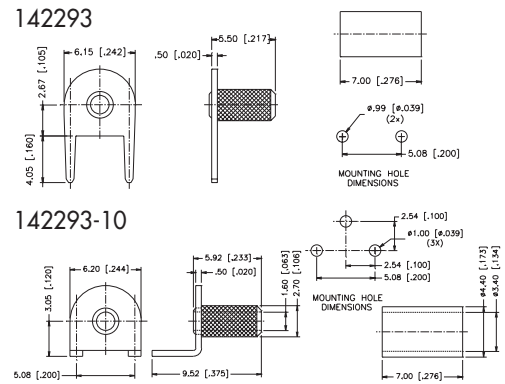
STRAIGHT CRIMP — 2-HOLE AND 4-HOLE FLANGE MOUNT

P.N.	Cable Group	Finish	Insulation	Impedance	Crimp Tool
142277	01	Nickel	N/A	N/A	A
142278	01A	Nickel	N/A	N/A	A
142280	05	Nickel	N/A	N/A	B
142281	05A	Nickel	N/A	N/A	C
142282	14	Nickel	N/A	N/A	B
142283	16	Nickel	N/A	N/A	B
SMA 4-HOLE FLANGE					
142296	05	Gold	Teflon	N/A	N/A
142295	10	Gold	Teflon	N/A	N/A
142309	11	Gold	Teflon	N/A	N/A
SMA 2-HOLE FLANGE					
142302	05	Gold	Teflon	N/A	N/A
142298	10	Gold	Teflon	N/A	N/A
142294	11	Gold	Teflon	N/A	N/A



2-HOLE PCB MOUNT

P.N.	Cable Group	Finish	Insulation	Impedance	Crimp Tool
142293	05/06	Tin Lead	N/A	N/A	B
142293-10	05/06	Tin Lead	N/A	N/A	B
	RIGHT ANGLE				
142308	08	Tin Lead	N/A	N/A	E



END LAUNCH MOUNT

P.N.	Cable Group	Finish	Insulation	Impedance	Crimp Tool
142303	05/06	Gold	N/A	N/A	B
	.047" board				
142304	05/06	Gold	N/A	N/A	B
	.062" board				

