

STRAIN-RELIEF BOOTS

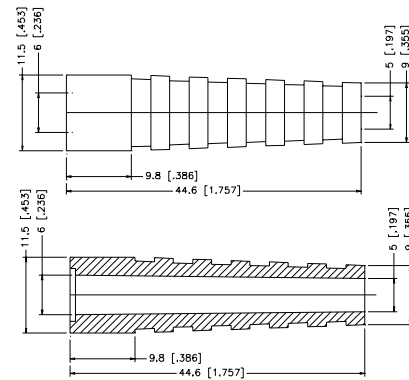
These highly flexible strain-relief boots are available in seven colors and can be used with N, UHF, BNC, TNC, SMA, SMB, SMC and MCX series connectors. These boots are available for use with RG 58/U, 59/U and 174/U family of coaxial cables. They protect your cable assemblies from moisture, extreme bending, weather and fatigue.

Dimensions in millimeters [inches].

RG 58/U STRAIN-RELIEF BOOTS

Cable Group: 01, 01A, 01B, 02

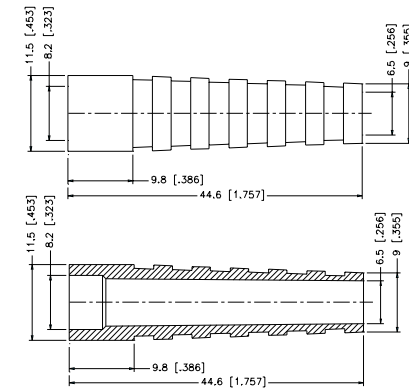
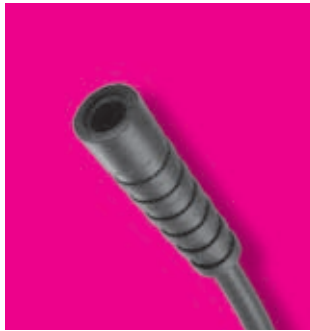
P.N.	Color
60015-000	Black
60016-000	Blue
60017-000	Green
60018-000	Red
60019-000	Yellow
60020-000	Orange
60026-000	Gray



RG 59/U STRAIN-RELIEF BOOTS

Cable Group: 03, 03A, 04, 04A, 07B

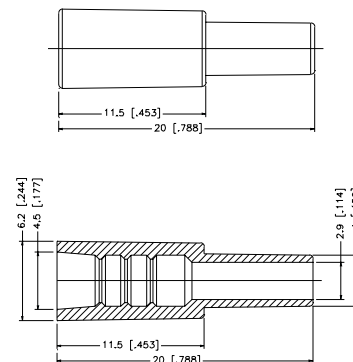
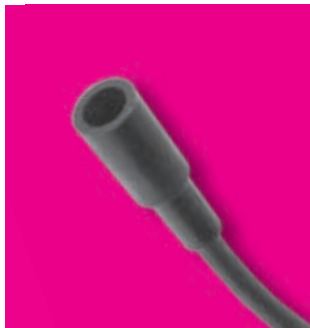
P.N.	Color
60030-000	Black
60031-000	Blue
60032-000	Green
60033-000	Red
60034-000	Yellow
60035-000	Orange
60042-000	Gray



RG 174/U STRAIN-RELIEF BOOTS

Cable Group: 05, 05A, 06, 14, 16

P.N.	Color
60052-000	Black
60053-000	Blue
60054-000	Red
60055-000	Orange
60056-000	Green
60057-000	Yellow
60058-000	Gray



Note: To be used with .128" and .151" crimp ferrule only

