

## UHF/MINI-UHF COAXIAL CONNECTORS

The Connex UHF/MINI-UHF connectors are popular and economical, used when impedance mating is not required. General purpose units are designed to operate satisfactorily up to 500 MHz. They have a peak voltage rating of 500 volts.

### ELECTRICAL SPECIFICATIONS

#### MINI-UHF SERIES

Impedance	50 ohm nominal
Frequency Range	0–2.5 GHz
Working Voltage	335 volts rms
Dielectric Withstanding Voltage	1000 volts rms
VSWR	1.25 max. 0–2.5 GHz
Insulation Resistance	5000 megohms (min)

#### UHF SERIES

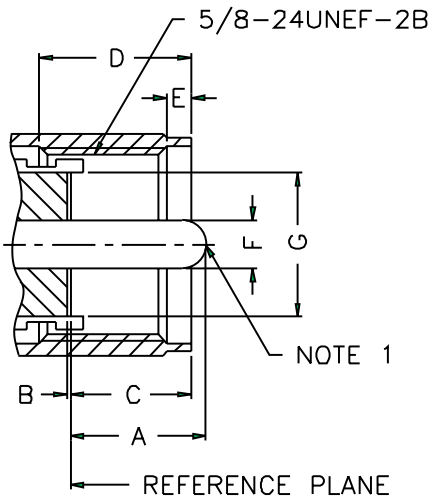
Impedance	Non-constant
Frequency Range	0–500 MHz
Voltage Rating	500 volts peak

### MATERIAL SPECIFICATIONS

PARTS NAME		MATERIAL	FINISH
Center	Male	Brass	Gold or Silver plated
Contact	Female	Brass or Phosphor Bronze	Gold or Silver plated
Metal parts		Brass or Zinc diecast	Nickel or Silver plated
Insulators		Teflon, PBT polyester, Phenolic	None
Crimp ferrule		Annealed Copper	Nickel or Silver plated

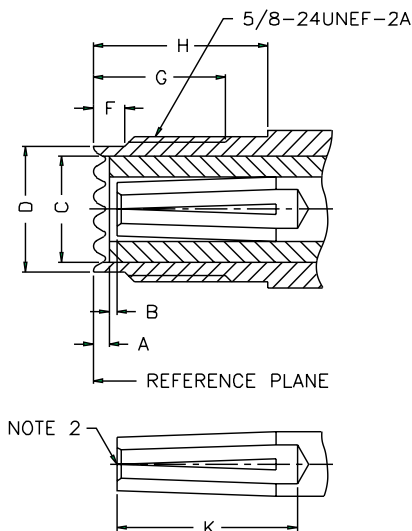
# UHF COAXIAL CONNECTORS

## INTERFACE MATING DIMENSIONS



### PLUG

Letter	Millimeters [Inches]	
	Minimum	Maximum
A	–	11.10 [.437]
B	0.00	–
C	–	9.91 [.390]
D	8.76 [.345]	–
E	1.91 [.075]	4.27 [.168]
F	3.91 [.154]	4.01 [.158]
G	11.56 [.455]	12.22 [.481]



### JACK

Letter	Millimeters [Inches]	
	Minimum	Maximum
A	1.02 [.040]	–
B	0.03 [.001]	–
C	11.56 [.455]	12.22 [.481]
D	–	14.25 [.561]
F	1.19 [.047]	1.96 [.077]
G	7.87 [.310]	–
H	11.10 [.437]	–
K	11.76 [.463]	–

NOTE: 1. FORM OF INNER CONDUCTOR OPTIONAL.  
 2. I.D. TO MEET GOOD ELECTRICAL CONTACT WHEN MATED WITH 3.91/4.01MM DIA. PIN.

# UHF COAXIAL CONNECTORS

All connector bodies, unless otherwise noted, are nickel plated. All contacts are silver plated 100µ; gold contacts 3µ or tin lead plate contacts are also available.

All insulators, unless otherwise noted, are phenolic. Silver plating is available for all bodies. Please contact Connex for samples and quotes.

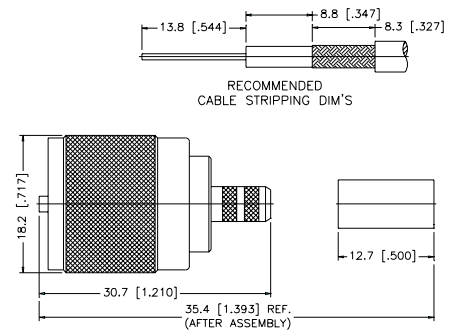
All dimensions are shown in millimeters [inches].

C A B L E			G R O U P			L E G E N D		
01	58/ 58A/ 58C/ 141/ 303/ LMR195™/ B7806A	06A	179/ U DOUBLE BRAIDED	09	B8227/ 89207			
01A	55/ 142/ 223/ 400	07	8/ 8A/ 213/ 393	10	.141 SEMI-RIGID/ 402/U			
01B	LMR200™/ B7807A	07A	214	11	.085 SEMI-RIGID/ 405/U			
02	58 PLENUM/THINNET/ 122U/ B88240/ B89907	07B	8X/ LMR240™/ B7808A	12	.250 SEMI-RIGID			
03	59/ 62/ 140/ 210	07C	B9913/ LMR400™/ B7810A/ B8214	13	.047 SEMI-RIGID/ B1674A			
03A	59/ U-20AWG	07D	B89913	14	178/ 196			
04	59/ U PLENUM	07E	11	15	B8281/ B9231/ B9141			
04A	59/ U PLENUM-20AWG	07F	11/ U-14AWG/ B8213/ B9292/ B7731/ B1859A	15A	B88281			
05	174/ 188A/ 316/ B7805A	08	6/ 143/ 212	16	180/ 195/ 122/ B8218/ B1865A/ B1855			
05A	316/ U DOUBLE BRAIDED	08A	B1694A/ B9248	17	LMR600™			
06	179/ 187/ B9221	08B	6 PLENUM/ B1695A	18	AT&T734A/ B1505A			
				19	AT&T735A/ B735A1			

## UHF SERIES

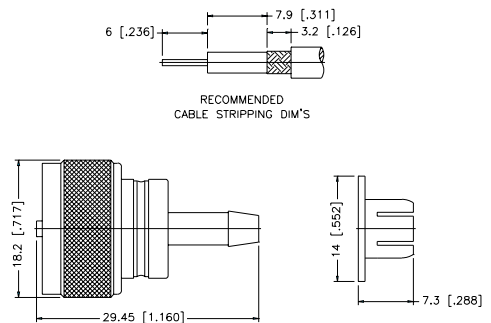
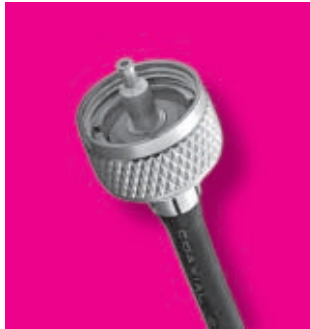
### STRAIGHT CRIMP PLUG

P.N.	Cable Group	Finish	Insulation	Impedance	Crimp Tool
182100	01	Nickel	Phenolic	N/A	A
182310	01A	Nickel	Phenolic	N/A	A
182101	03	Nickel	Phenolic	N/A	A
182330	05	Nickel	Phenolic	N/A	B
182102	07	Nickel	Phenolic	N/A	D
182311	07A	Nickel	Phenolic	N/A	D
182115	07B	Nickel	Phenolic	N/A	A



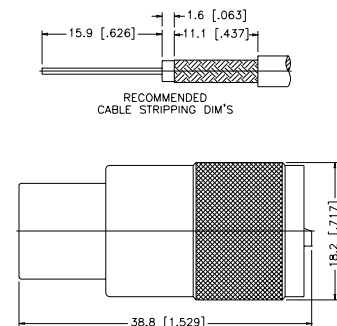
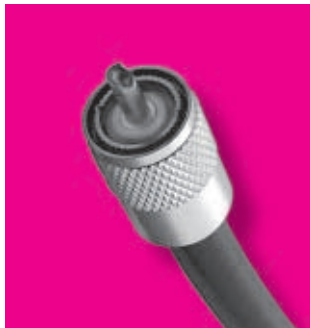
### STRAIGHT FCP PLUG

P.N.	Cable Group	Finish	Insulation	Impedance	Crimp Tool
182103	01	Nickel	Phenolic	N/A	N/A



### STRAIGHT SOLDER PLUG — UG STANDARD, PL-259 TYPE

P.N.	Cable Group	Finish	Insulation	Impedance	Crimp Tool
182106	N/A	Nickel	Phenolic	N/A	N/A
182116	N/A	Nickel SILVER BODY	Phenolic	N/A	N/A
182120	N/A	Silver	Teflon	N/A	N/A
182121	N/A	Nickel SILVER BODY	Teflon	N/A	N/A
182124	N/A	Silver FOR RG-217/U CABLE	Teflon	N/A	N/A



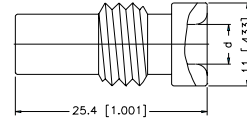
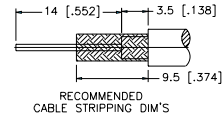
# UHF SERIES

For Cable Group Legend, see page 147

## REDUCING ADAPTER

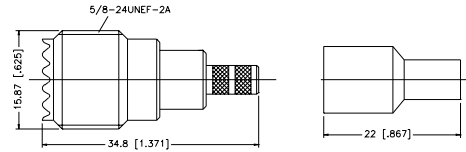
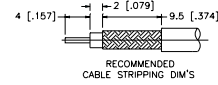
P.N.	Cable Group	Finish	Insulation	Impedance	Crimp Tool
182107	01	Nickel	N/A	N/A	N/A
182108	03	Nickel	N/A	N/A	N/A

Remark: For Connex #182106, 182116, 182120, 182121



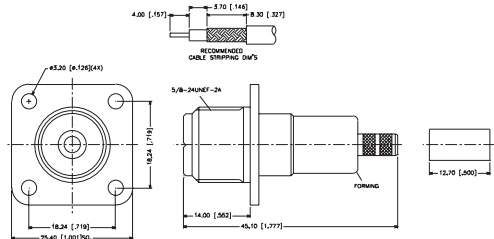
## STRAIGHT CRIMP JACK

P.N.	Cable Group	Finish	Insulation	Impedance	Crimp Tool
182306	01	Nickel	Delrin	50	A
182307	05	Nickel	Delrin	50	B



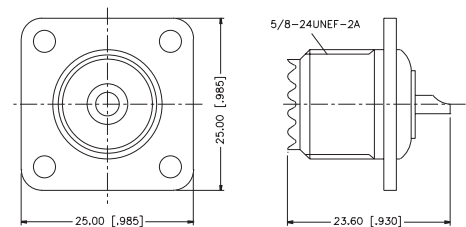
## PANEL CRIMP JACK

P.N.	Cable Group	Finish	Insulation	Impedance	Crimp Tool
182128	01	Nickel	Teflon	50	A
182129	07	Nickel	Teflon	50	D



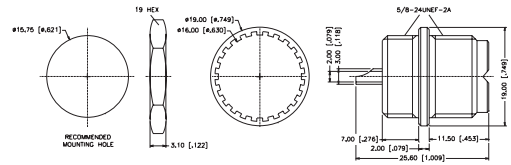
## PANEL RECEPTACLE

P.N.	Cable Group	Finish	Insulation	Impedance	Crimp Tool
182322	N/A	Nickel	Teflon	N/A	N/A



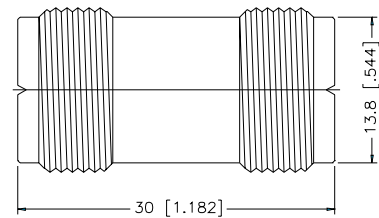
## BULKHEAD RECEPTACLE

P.N.	Cable Group	Finish	Insulation	Impedance	Crimp Tool
182320	N/A	Nickel	Teflon	N/A	N/A



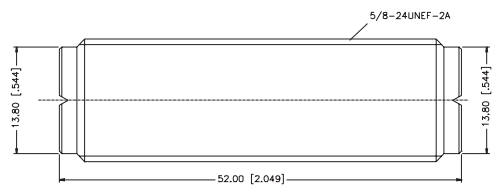
## JACK-TO-JACK ADAPTER

P.N.	Cable Group	Finish	Insulation	Impedance	Crimp Tool
182109	N/A	Nickel	Teflon	N/A	N/A



## JACK-TO-JACK ADAPTER

P.N.	Cable Group	Finish	Insulation	Impedance	Crimp Tool
182319	N/A	Nickel	Delrin	N/A	N/A

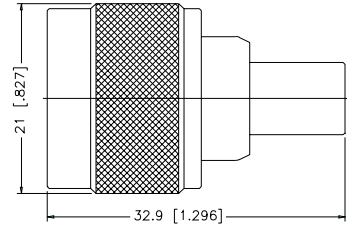


## TERMINATORS

For Cable Group Legend, see page 147

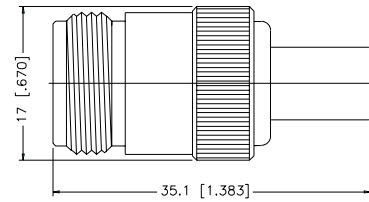
### UHF TERMINATOR PLUG

P.N.	Cable Group	Finish	Insulation	Impedance	Crimp Tool
202109	N/A	Nickel	Teflon	50	N/A
202109-10	N/A	Nickel HIGH FREQUENCY	Teflon	50	N/A



### UHF TERMINATOR JACK

P.N.	Cable Group	Finish	Insulation	Impedance	Crimp Tool
202110	N/A	Nickel	Teflon	50	N/A

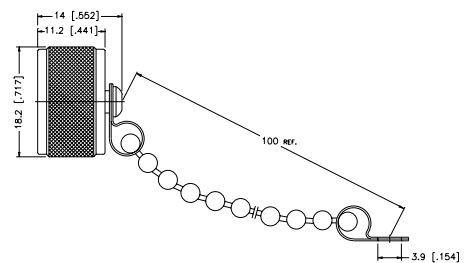


## ACCESSORIES

### UHF MALE CAP & CHAIN

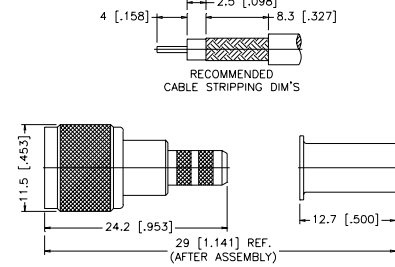
P.N.	Cable Group	Finish	Insulation	Impedance	Crimp Tool
202102	N/A	Nickel	N/A	N/A	N/A

Remark: Chain Length 100 [3.94]



## STRAIGHT 3-PIECE CRIMP PLUG — CAPTIVE CONTACT

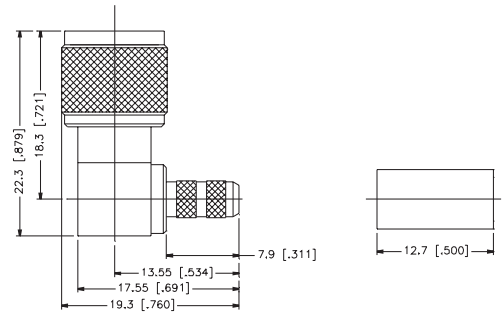
P.N.	Cable Group	Finish	Insulation	Impedance	Crimp Tool
182110	01	Nickel	Teflon	50	A
182122	01	Nickel	Delrin	50	A
2 PC CRIMP					
182123	01A	Nickel	Teflon	50	A
182314	01B	Nickel	Teflon	50	A
182111	03	Nickel	Teflon	50	A
182118	05	Nickel	Teflon	50	B
182126	05A	Nickel	Teflon	50	B
182302	07B	Nickel	Teflon	50	A
182329	11	Nickel/Gold	Teflon	50	N/A
182316	14	Nickel	Teflon	50	B



## RIGHT ANGLE 2-PIECE CRIMP PLUG

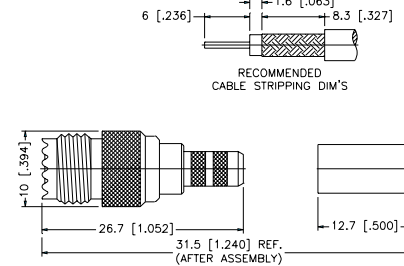
P.N.	Cable Group	Finish	Insulation	Impedance	Crimp Tool
182323	01	Nickel	Delrin	50	A
182324	01A	Nickel	Delrin	50	A
182325	05	Nickel	Delrin	50	B
182326	05A	Nickel	Delrin	50	C
182327	07B	Nickel	Delrin	50	A

Remark: Cable center conductor soldered to pin directly



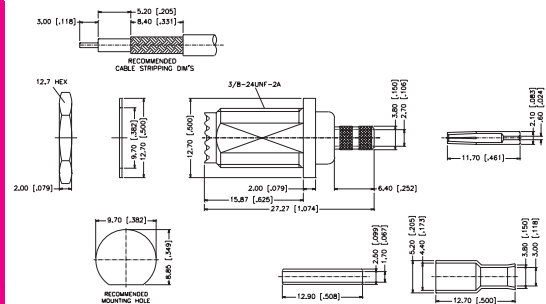
## STRAIGHT 3-PIECE CRIMP JACK

P.N.	Cable Group	Finish	Insulation	Impedance	Crimp Tool
182112	01	Nickel	Teflon	50	A
182125	01	Nickel	Delrin	50	A
182309	01A	Nickel	Teflon	50	A
182113	03	Nickel	Teflon	50	A
182117	05	Nickel	Delrin	50	B
182312	05A	Nickel	Delrin	50	B
182308	07B	Nickel	Teflon	50	A



## BULKHEAD CRIMP JACK

P.N.	Cable Group	Finish	Insulation	Impedance	Crimp Tool
182318	01	Nickel	Teflon	50	A
182317	05	Nickel	Teflon	50	B

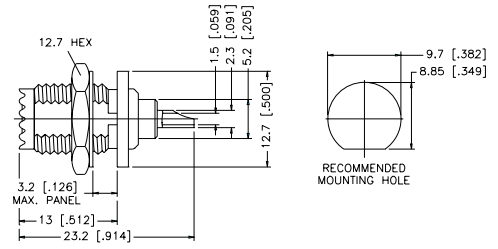


## MINI-UHF SERIES

For Cable Group Legend, see page 147

### BULKHEAD RECEPTACLE JACK — REAR MOUNT

P.N.	Cable Group	Finish	Insulation	Impedance	Crimp Tool
182114	N/A	Nickel	Teflon	50	N/A



### MINI-UHF TERMINATOR PLUG

P.N.	Cable Group	Finish	Insulation	Impedance	Crimp Tool
182328	N/A	Nickel	Teflon	50	N/A

