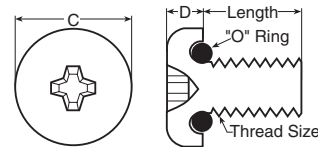
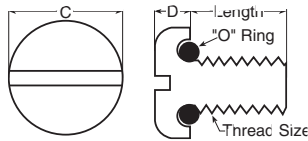


SEALING SCREWS

Sealing screws are designed with a groove underneath the head to accommodate an O-ring. When tightened, the O-ring is compressed against the connector flange a seal against air, water, and gas. These screws are also vibration-resistant. The reservoir beneath

the head confines the O-ring and permits full metal-to-metal contact between the screw and the connector flange. Sealing screws can be reused without spoiling the sealing action. Sealing screws are used in conjunction with the nut plates below.



SLOTTED PAN HEAD						
PART NUMBER	THREAD	LENGTH	C MAX.	D MAX.	CLEAR HOLE	
					MIN.	MAX.
S-440-3/8	4-40NC-2A	3/8"	.220"	.069"	.125"	.129"
S-440-1/2		1/2"				
S-440-5/8		5/8"				
S-440-3/4		3/4"				
S-632-3/8	6-32NC-2A	3/8"	.271"	.083"	.147"	.152"
S-632-1/2		1/2"				
S-632-5/8		5/8"				
S-632-3/4		3/4"				
Metric						
SM4-12mm	M4	12mm	Contact us for details.			
SM5-12mm	M5	12mm				

PHILLIPS PAN HEAD (MEETS MS3212 & MS32131)						
PART NUMBER	THREAD	LENGTH	C MAX.	D MAX.	CLEAR HOLE	
					MIN.	MAX.
R-440-3/8	4-40NC-2A	3/8"	.238"	.080"	.125"	.129"
R-440-1/2		1/2"				
R-440-5/8		5/8"				
R-440-3/4		3/4"				
R-632-3/8	6-32NC-2A	3/8"	.294"	.097"	.147"	.152"
R-632-1/2		1/2"				
R-632-5/8		5/8"				
R-632-3/4		3/4"				

Material: Passivated stainless steel screws & silicone rubber O-rings

Additional threads, lengths, and styles available. Contact us for ordering information.

NUT PLATES

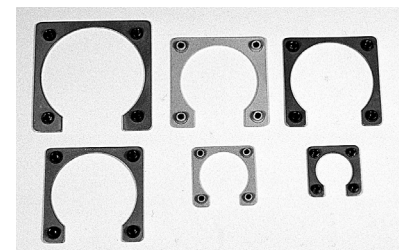
Nut plates are flat metal brackets containing four captive nuts that are used to mount flanged receptacles to a panel. They eliminate the challenge of working with loose nuts in a confined area and effectively distribute the screw tension across the back of the panel. These cost-effective devices are "self-wrenching," drawing

the bracket up for automatic alignment. Our plates are a "C" shape, design which allows you to slip the nut plate over the wire bundle just prior to mounting. The bracket is aluminum alloy with alodine plating and the nuts are steel alloy-plated with cadmium. Nut plates mate with above sealing screws.

CONNECTOR STYLES		MIL-DTL-26482		MIL-DTL-38999	
PART NUMBER	THREAD	AFD 50, MS3470	AFD 58, MS3472	DJT SERIES I	DTS/ACT SERIES III D38999/20
M85049/95-8A	4-40	8	-	-	-
M85049/95-10A	4-40	10	-	9	A/9
M85049/95-10B	6-32	-	10	-	-
M85049/95-12A	4-40	12	10	11	B/11
M85049/95-12B	6-32	-	12	-	-
M85049/95-14A	4-40	14	-	13	C/13
M85049/95-14B	6-32	-	14	-	-
M85049/95-16A	4-40	16	-	15	D/15
M85049/95-16B	6-32	-	16	-	-
M85049/95-18A	4-40	18	-	17	E/17
M85049/95-18B	6-32	-	18	-	-
M85049/95-20A	4-40	20	-	19	F/19
M85049/95-20B	6-32	-	20	-	-
M85049/95-22A	4-40	22	-	21	G/21
M85049/95-22B	6-32	-	22	-	-
M85049/95-24A	6-32	-	24	25	J/25
M85049/95-24B	6-32	24	-	23	H/23
M85049/95-25A	6-32	-	-	25	-

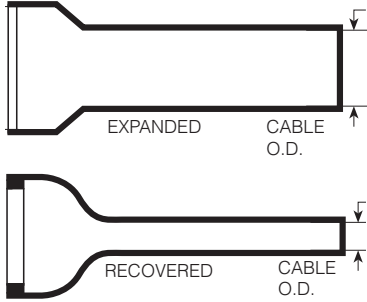
*plastic bracket

+ PCD contacts for high density contact arrangement, MA class only, special.



TORQUE	MAX.	
	IN/LB	MM
4-40	6.3	.71
6-32	10	1.12

STANDARD HEAT SHRINK BOOTS



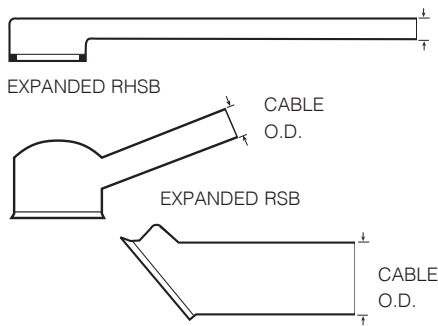
Standard heat shrink boots are supplied in flame-retardant polyolefin with an adhesive inner liner. A high shrink-ratio version for sealing smaller wire bundles is also available. The adhesive liner is heat-activated and bonds to the underlying surface, filling any small voids that might exist. When cool, the adhesive forms a barrier against water, moisture, dirt and other environmental contaminants. The lip on the connector end of the recovered boot fits into the sealing groove. Operating temperature is -67° F to 275° F (-55° C to 135° C). These boots are also available in halogen-free polyolefin, semi-rigid polyolefin, silicone, or Viton, with or without adhesive liner.

HEAT SHRINK BOOT PART NUMBER	CABLE O.D.		± 10%	AFD M85049/60 (MIL-DTL-26482 STYLE) SHELL SIZE LENGTH									DJT M85049/62 & DTS/ACT M85049/69 (MIL-DTL-38999 STYLE) SHELL SIZE												
				8	10	12	14	16	18	20	22	24	A	B	C	D	E	F	G	H	J				
	MAX.	MIN.		8	10	12	14	16	18	20	22	24	9	11	13	15	17	19	21	23	25				
HSB1	0.25 (6.4)	0.08 (2.0)	2.37 (60.2)	•	•									•	•										
HSB2	0.30 (7.6)	0.10 (2.5)	2.92 (74.2)			•	•	•								•	•	•							
HSB3	0.38 (9.7)	0.12 (3.0)	3.32 (84.3)						•	•								•	•						
HSB4	0.45 (11.4)	0.14 (3.6)	3.92 (99.6)								•	•									•			•	
SB1	0.88 (22.4)	0.25 (6.4)	4.17 (105.9)	•	•	•	•							•	•	•	•								
SB2	1.01 (25.7)	0.29 (7.4)	4.77 (121.2)		•	•	•	•							•	•	•	•							
SB3	1.16 (29.5)	0.33 (8.4)	5.46 (138.7)			•	•	•	•							•	•	•	•						
SB4	1.34 (34.0)	0.39 (9.9)	6.28 (159.5)					•	•	•								•	•	•					
SB5	1.47 (37.3)	0.41 (10.4)	7.00 (177.8)							•	•	•						•	•	•			•		
SB6	1.72 (43.7)	0.48 (11.2)	8.00 (203.2)								•	•											•		•

All dimensions in inches (millimeters in parenthesis)

RIGHT ANGLE HEAT SHRINK BOOTS

RECOVERED RSB and RHSB



Right angle heat shrink boots are supplied in flame-retardant polyolefin with an adhesive inner liner. A high shrink-ratio version for sealing smaller wire bundles is also available. The adhesive liner is heat-activated and bonds to the underlying surface, filling any small voids that might exist. When cool, the adhesive forms a barrier against water, moisture, dirt and other environmental contaminants. The lip on the connector end of the recovered boot fits into the sealing groove. Operating temperature is -67° F to 275° F (-55° C to 135° C). These boots are also available in halogen-free polyolefin, semi-rigid polyolefin, silicone, or Viton, with or without adhesive liner.

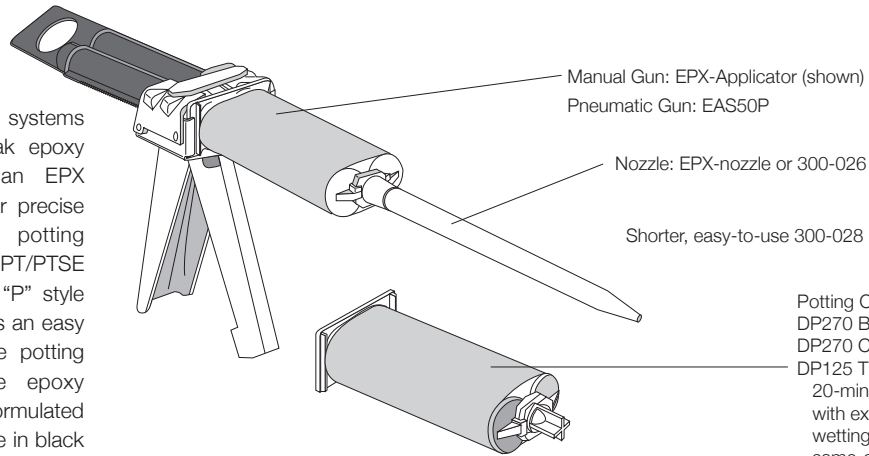
HEAT SHRINK BOOT PART NUMBER	CABLE O.D.		LENGTH ± 10%	AFD M85049/60 (MIL-DTL-26482 STYLE) SHELL SIZE								DJT M85049/62 & DTS/ACT M85049/69 (MIL-DTL-38999 STYLE) SHELL SIZE									
	MAX.	MIN.		8	10	12	14	16	18	20	22	24	A 8/9	B 10/11	C 12/13	D 14/15	E 16/17	F 18/19	G 20/21	H 22/23	J 24/25
RHSB1	0.24 (6.1)	0.08 (2.0)	1.77 (45.0)	●	●								●	●							
RHSB2	0.30 (7.6)	0.10 (2.5)	2.64 (67.1)			●	●	●						●	●	●					
RHSB3	0.37 (9.4)	0.12 (3.0)	3.17 (81.0)						●	●							●	●			
RHSB4	0.45 (11.4)	0.14 (3.6)	4.57 (116.1)							●	●								●	●	
RSB1	0.88 (22.4)	0.23 (5.8)	4.14 (105.2)	●	●	●	●						●	●	●	●					
RSB2	1.01 (25.7)	0.26 (6.6)	4.88 (124.0)		●	●	●	●						●	●	●					
RSB3	1.16 (29.5)	0.30 (7.6)	5.76 (146.3)			●	●	●	●					●	●	●	●				
RSB4	1.34 (34.0)	0.35 (8.9)	6.78 (172.2)				●	●	●	●					●	●	●	●	●		
RSB5	1.47 (37.3)	0.37 (9.4)	7.29 (185.2)						●	●	●							●	●	●	
RSB6	1.72 (43.7)	0.44 (11.2)	7.93 (201.4)							●	●								●	●	

All dimensions in inches (millimeters in parenthesis)

POTTING SYSTEM



3M Scotch-Weld™ EPX potting systems consist of a self-leveling Duo-Pak epoxy potting compound cartridge, an EPX applicator, and an EPX nozzle for precise mixing. 3M's two-part epoxy potting compound is for use with the PT/PTSE and MS-E/F/R, AIT & AIB series "P" style endbells. The EPX system provides an easy way to meter, mix and dispense potting compound. 3M's non-corrosive epoxy potting compound is specially-formulated for electronic applications. Available in black and clear.



Potting Compound:
 DP270 BLACK
 DP270 CLEAR
 DP125 TRANSLUCENT
 20-minute work-life with excellent wetting properties allows same-day shipping of assemblies
 DP100 PLUS CLEAR
 4-minute work-life; Rapid setup for automotive applications

BLACK POLYOLEFIN CONVOLUTED BOOTS



Convoluted boots are used in applications that require various cable outlet angles or if the cable harness requires quick access to connector wiring. When held in place on an angle while cooling, these boots will maintain their bend. If maximum connector serviceability is required, a two-piece spin coupling endbell should be used. The convoluted boot is used in conjunction with this spin coupling endbell, which allows the user to unthread and push the endbell back out of the way by heating the boot until it becomes flexible. The user can make the required repair, reheat the boot and rethread the backshell without having to cut off and replace the boot.

CONVOLUTED BOOTS	CABLE O.D.		LENGTH	MAX 90° LENGTH	AFD M85049/60 (MIL-DTL-26482 STYLE) SHELL SIZE								DJT M85049/62 & DTS/ACT M85049/69 (MIL-DTL-38999 STYLE) SHELL SIZE									
	MAX.	MIN.			8	10	12	14	16	18	20	22	24	A	B	C	D	E	F	G	H	J
	(17.8)	(8.1)			(133.4)	(67.8)																
CSB2	0.70	0.32	5.25	2.67	●	●							●	●								
CSB3	1.06	0.50	5.75	2.89			●	●	●	●				●	●	●						
CSB4	1.44	0.69	6.25	3.08					●	●	●	●				●	●	●	●	●		
CSB5	1.80	0.88	6.75	3.26						●	●	●			●	●	●					

All dimensions in inches (millimeters in parenthesis)

HEAT GUN

The Panduit HSG115V500 heat gun is a general-purpose tool designed for all types of heat shrink boots and tubing. The air intake adjustment varies temperature from 500°F (260°C) to 650°F (344°C). The unit operates on 115 Vac at 11 amps. The tool comes with an adjustable stand and a neoprene AC cord. The bearings, brushes and heating element are replaceable.

