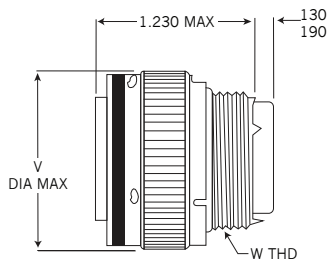


PLUGS

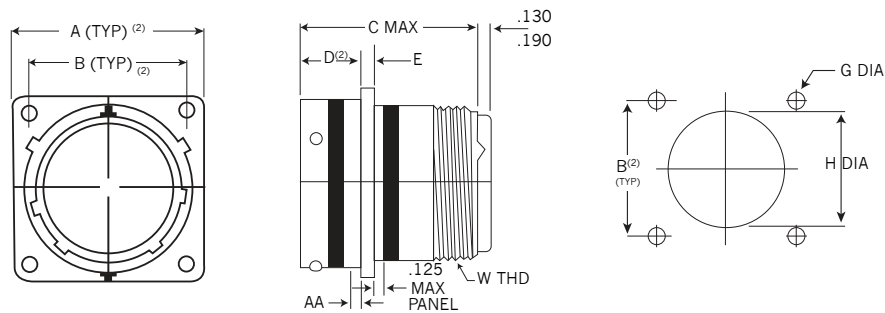
MS3476/ AFD56 & MS3475/ AFD57



SHELL SIZE	V DIA. MAX.	W THREAD CLASS 2A
8	0.782 (19.86)	.5000-20 UNF
10	0.926 (23.52)	.6250-24 UNEF
12	1.043 (26.49)	.7500-20 UNEF
14	1.183 (30.04)	.8750-20 UNEF
16	1.305 (33.14)	1.000-20 UNEF
18	1.391 (35.33)	1.0625-18 UNEF
20	1.531 (38.88)	1.1875-18 UNEF
22	1.656 (42.06)	1.3125-18 UNEF
24	1.777 (45.13)	1.4375-18 UNEF

FLANGE MOUNT

MS3470/ AFD50 & MS3472/ AFD58

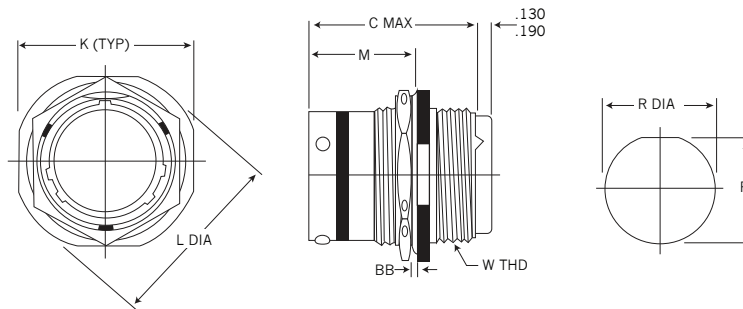


SHELL SIZE	AA MAX. PANEL THICKNESS		A MAX.		B +/- .005 (+/- 1.27)		C MAX.	D		E +/- .016 (+/- .406)	W THREAD CLASS 2A
	MS3470/ AFD50	MS3474/ AFD58	MS3470/ AFD50	MS3470/ AFD50	MS3470/ AFD50	MS3474/ AFD58		MS3470/ AFD50	MS3474/ AFD58		
8	.087 (2.21)	.118 (3.00)	.828 (21.0)	1.065 (27.1)	.594 (15.1)	.734 (18.6)	1.215 (30.86)	.462/.431 (11.74/10.95)	.493/.462 (12.52/11.73)	.062 (1.6)	.5000-20 UNF
10	.087 (2.21)	.118 (3.00)	.954 (24.2)	1.141 (29.0)	.719 (18.3)	.812 (20.6)	1.215 (30.86)	.462/.431 (11.74/10.95)	.493/.462 (12.52/11.73)	.062 (1.6)	.6250-24 UNEF
12	.087 (2.21)	.118 (3.00)	1.047 (26.6)	1.266 (32.2)	.812 (20.6)	.938 (23.8)	1.215 (30.86)	.462/.431 (11.74/10.95)	.493/.462 (12.52/11.73)	.062 (1.6)	.7500-20 UNEF
14	.087 (2.21)	.118 (3.00)	1.141 (29.0)	1.360 (34.5)	.906 (23.0)	1.031 (26.2)	1.215 (30.86)	.462/.431 (11.74/10.95)	.493/.462 (12.52/11.73)	.062 (1.6)	.8750-20 UNEF
16	.087 (2.21)	.118 (3.00)	1.234 (31.3)	1.453 (36.9)	.969 (24.6)	1.125 (28.6)	1.215 (30.86)	.462/.431 (11.74/10.95)	.493/.462 (12.52/11.73)	.062 (1.6)	1.000-20 UNEF
18	.087 (2.21)	.118 (3.00)	1.328 (33.7)	1.532 (38.9)	1.062 (27.0)	1.203 (30.6)	1.215 (30.86)	.462/.431 (11.74/10.95)	.493/.462 (12.52/11.73)	.062 (1.6)	1.0625-18 UNEF
20	.212 (5.38)	.212 (5.38)	1.453 (36.9)	1.688 (42.9)	1.156 (29.4)	1.297 (32.9)	1.275 (32.39)	.587/.556 (14.91/14.12)	.587/.556 (14.91/14.12)	.094 (2.4)	1.1875-18 UNEF
22	.212 (5.38)	.212 (5.38)	1.578 (40.1)	1.766 (44.9)	1.250 (31.8)	1.375 (34.9)	1.275 (32.39)	.587/.556 (14.91/14.12)	.587/.556 (14.91/14.12)	.094 (2.4)	1.3125-18 UNEF
24	.212 (5.38)	.212 (5.38)	1.703 (43.3)	1.891 (48.0)	1.375 (34.9)	1.500 (38.1)	1.275 (32.39)	.587/.556 (14.91/14.12)	.587/.556 (14.91/14.12)	.094 (2.4)	1.4375-18 UNEF

All dimensions in inches (millimeters in parenthesis)

JAM NUT RECEPTACLE

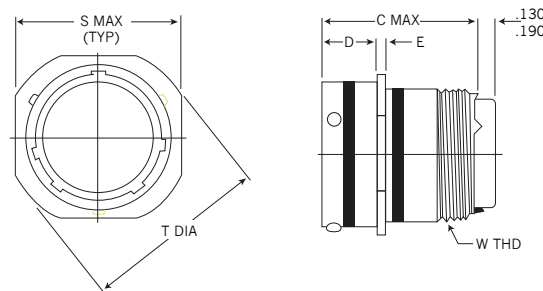
MS3474/ AFD74



SHELL SIZE	BB MAX. PANEL	K +/- .016 (+/- .394)	L +/- .016 (+/- .394)	M +/- .008 (+/- .203)	C MAX.	W THREAD CLASS 2A
8	.187 (4.75)	.939 (23.84)	1.063 (26.99)	.699 (17.75)	1.215 (30.86)	.5000-20 UNF
10	.187 (4.75)	1.0625 (26.99)	1.188 (30.16)	.699 (17.75)	1.215 (30.86)	.6250-24 UNEF
12	.187 (4.75)	1.251 (31.76)	1.378 (34.94)	.699 (17.75)	1.215 (30.86)	.7500-20 UNEF
14	.187 (4.75)	1.378 (34.94)	1.501 (38.11)	.699 (17.75)	1.215 (30.86)	.8750-20 UNEF
16	.187 (4.75)	1.501 (38.11)	1.626 (41.29)	.699 (17.75)	1.215 (30.86)	1.000-20 UNEF
18	.187 (4.75)	1.626 (41.29)	1.751 (44.46)	.699 (17.75)	1.215 (30.86)	1.0625-18 UNEF
20	.250 (6.35)	1.813 (46.04)	1.939 (49.24)	.763 (19.38)	1.275 (32.39)	1.1875-18 UNEF
22	.250 (6.35)	1.939 (49.24)	2.063 (52.39)	.763 (19.38)	1.275 (32.39)	1.3125-18 UNEF
24	.219 (5.56)	2.063 (52.39)	2.188 (55.56)	.763 (19.38)	1.275 (32.39)	1.4375-18 UNEF

IN-LINE CABLE RECEPTACLE

MS3471/ AFD51



SHELL SIZE	S MAX.	T +/- .040 (+/- .508)	C MAX.	D	E +/- .016 (+/- .406)	W THREAD CLASS 2A
				MS3471/AFD51		
8	.828 (21.03)	.938 (23.83)	1.215 (30.86)	.462/.431 (11.74/10.95)	.062 (1.6)	.5000-20 UNF
10	.954 (24.23)	1.062 (26.97)	1.215 (30.86)	.462/.431 (11.74/10.95)	.062 (1.6)	.6250-24 UNEF
12	1.047 (26.59)	1.156 (29.36)	1.215 (30.86)	.462/.431 (11.74/10.95)	.062 (1.6)	.7500-20 UNEF
14	1.141 (28.98)	1.250 (31.75)	1.215 (30.86)	.462/.431 (11.74/10.95)	.062 (1.6)	.8750-20 UNEF
16	1.234 (31.34)	1.344 (34.14)	1.215 (30.86)	.462/.431 (11.74/10.95)	.062 (1.6)	1.000-20 UNEF
18	1.328 (33.73)	1.438 (36.53)	1.215 (30.86)	.462/.431 (11.74/10.95)	.062 (1.6)	1.0625-18 UNEF
20	1.453 (36.91)	1.562 (39.67)	1.275 (32.39)	.587/.556 (14.91/14.12)	.094 (2.4)	1.1875-18 UNEF
22	1.578 (40.08)	1.688 (42.88)	1.275 (32.39)	.587/.556 (14.91/14.12)	.094 (2.4)	1.3125-18 UNEF
24	1.703 (43.26)	1.812 (46.02)	1.275 (32.39)	.587/.556 (14.91/14.12)	.094 (2.4)	1.4375-18 UNEF

All dimensions in inches (millimeters in parenthesis)