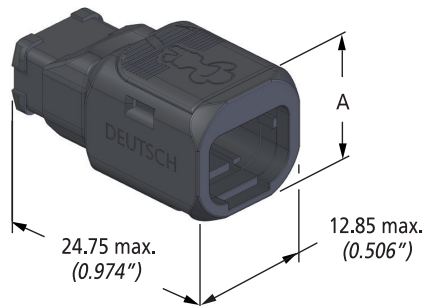


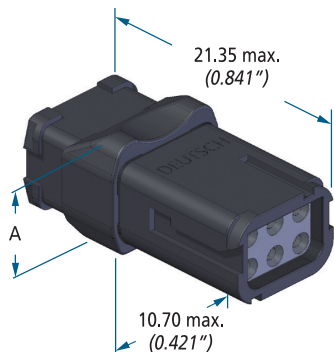
PLUG



SHELL SIZE	A MAX.	MASS*
3	10.41 mm (0.410")	1.90 g
6	12.95 mm (0.510")	2.40 g
9	15.49 mm (0.610")	3.00 g

\*Mass based on plug less male contact configuration  
 Mass for 1 male contact = 0.073 g

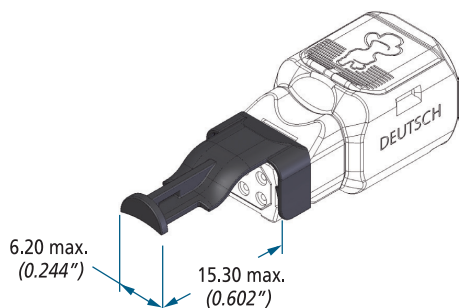
IN-LINE RECEPTACLE



SHELL SIZE	A MAX.	MASS*
3	6.52 mm (0.257")	1.00 g
6	9.06 mm (0.357")	1.50 g
9	11.60 mm (0.457")	2.00 g

\*Mass based on receptacle less female contact configuration  
 Mass for 1 female contact = 0.112 g

STRAIGHT FOR CABLE TIE BACKSHELL



SHELL SIZE	PART NUMBER	MASS
3	D369-STB-3	0.24 g
6	D369-STB-6	0.25 g
9	D369-STB-9	0.28 g

Recommended cable-tie: 2.5 mm (0.10")