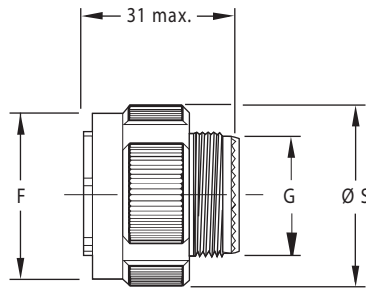


**TYPE 26 PLUG**

**D38999/26**  
**ACT 26**

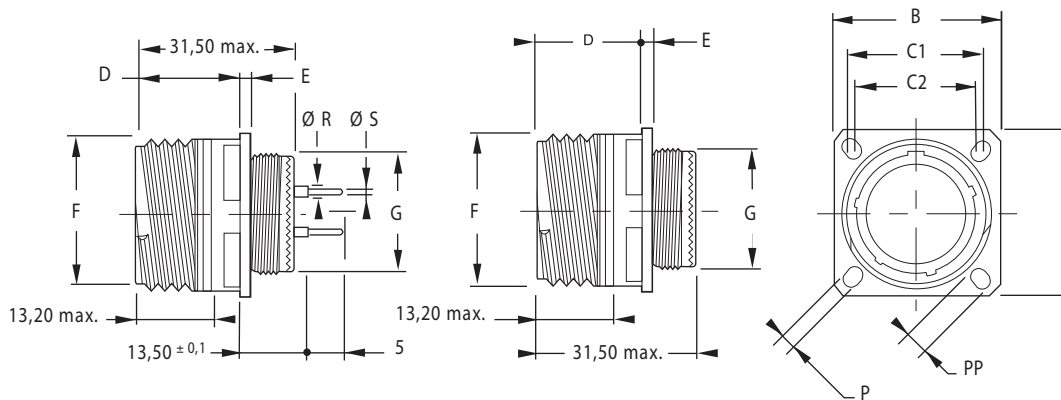


SHELL SIZE	F MAX.	G MAX.	S MAX.	REAR METRIC THREAD (PLATED)	MASS MAX.*
A/9	.720 (18.4)	.470 (11.9)	.860 (21.8)	M12x1.0-6g 0.100R	9.00 g
B/11	.830 (21.1)	.590 (14.9)	.980 (25.0)	M15x1.0-6g 0.100R	13.00 g
C/13	1.00 (25.4)	.700 (17.9)	1.16 (29.4)	M18x1.0-6g 0.100R	18.00 g
D/15	1.13 (28.7)	.860 (21.9)	1.28 (32.5)	M22x1.0-6g 0.100R	23.00 g
E/17	1.27 (32.2)	.980 (24.9)	1.41 (35.7)	M25x1.0-6g 0.100R	25.00 g
F/19	1.37 (34.9)	1.10 (27.9)	1.52 (38.5)	M28x1.0-6g 0.100R	32.00 g
G/21	1.50 (38.1)	1.22 (30.9)	1.64 (41.7)	M31x1.0-6g 0.100R	35.00 g
H/23	1.62 (41.1)	1.33 (33.9)	1.77 (44.9)	M34x1.0-6g 0.100R	41.00 g
J/25	1.74 (44.3)	1.45 (36.9)	1.89 (48.0)	M37x1.0-6g 0.100R	48.00 g

\*Mass without contacts

**TYPE 20 SQUARE FLANGE**

**D38999/20**  
**ACT 20**



SHELL SIZE	B +/-0.012 (+/-0.3)	C1	C2	D MAX.	F +/-0.004 (+/-0.1)	G +/-0.004 (+/-0.1)	P +/-0.008 (+/-0.2)	PP +/-0.008 (+/-0.2)	REAR METRIC THREAD (PLATED)	MASS MAX.*
A/9	.94 (23.80)	.72 (18.26)	.59 (15.09)	.77 (19.50)	.620 (15.75)	.470 (11.90)	.130 (3.25)	.220 (5.49)	M12x1.0-6g 0.100R	8.00 g
B/11	1.03 (26.20)	.81 (20.62)	.72 (18.26)	.77 (19.50)	.740 (18.90)	.590 (14.90)	.130 (3.25)	.190 (4.93)	M15x1.0-6g 0.100R	11.00 g
C/13	1.13 (28.60)	.91 (23.01)	.81 (20.62)	.77 (19.50)	.870 (22.10)	.700 (17.90)	.130 (3.25)	.190 (4.93)	M18x1.0-6g 0.100R	14.00 g
D/15	1.22 (31.00)	.97 (24.61)	.91 (23.01)	.77 (19.50)	.990 (25.25)	.860 (21.90)	.130 (3.25)	.190 (4.93)	M22x1.0-6g 0.100R	18.00 g
E/17	1.31 (33.30)	1.06 (26.97)	.97 (24.61)	.77 (19.50)	1.18 (29.95)	.980 (24.90)	.130 (3.25)	.190 (4.93)	M25x1.0-6g 0.100R	23.00 g
F/19	1.44 (36.50)	1.16 (29.36)	1.06 (26.97)	.77 (19.50)	1.24 (31.55)	1.10 (27.90)	.130 (3.25)	.190 (4.93)	M28x1.0-6g 0.100R	26.00 g
G/21	1.56 (39.70)	1.25 (31.75)	1.16 (29.36)	.74 (18.70)	1.37 (34.70)	1.22 (30.90)	.130 (3.25)	.190 (4.93)	M31x1.0-6g 0.100R	31.00 g
H/23	1.69 (42.90)	1.38 (34.93)	1.25 (31.75)	.74 (18.70)	1.49 (37.90)	1.33 (33.90)	.150 (3.91)	.240 (6.15)	M34x1.0-6g 0.100R	36.00 g
J/25	1.81 (46.00)	1.50 (38.10)	1.38 (34.93)	.74 (18.70)	1.62 (41.10)	1.45 (36.90)	.150 (3.91)	.240 (6.15)	M37x1.0-6g 0.100R	43.00 g

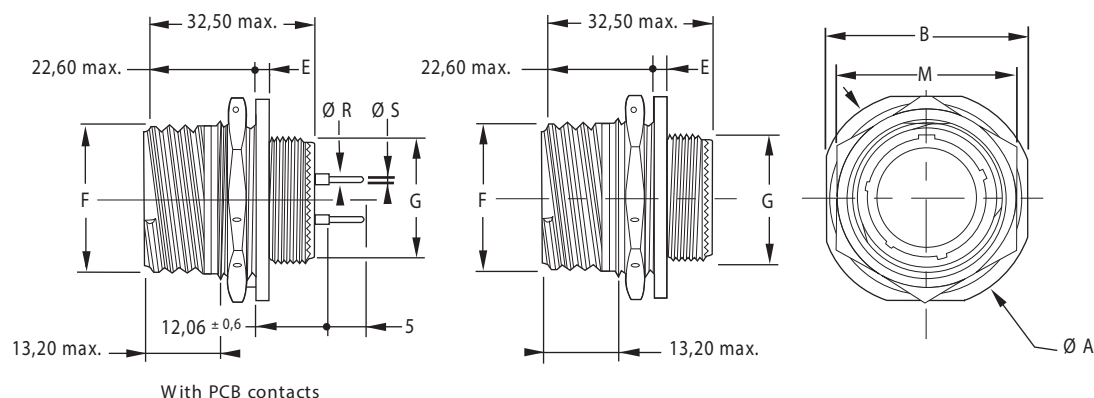
\*Mass without contacts

All dimensions in inches (millimeters in parenthesis)

DIMENSIONS

**TYPE 24 JAM-NUT**

D38999/24  
ACT 24



SHELL SIZE	A +/- .012 (+/-0.3)	B +/- .016 (+/-0.4)	E +.004/- .028 (+0.1/-0.7)	F +/- .004 (+/-0.1)	G +/- .004 (+/-0.1)	M	REAR METRIC THREAD (PLATED)	MASS MAX.*
A/9	1.19 (30.20)	1.06 (27.00)	.12 (3.00)	.62 (15.75)	.47 (11.90)	.86 (21.82)	M12x1.0-6g 0.100R	11.00 g
B/11	1.37 (34.90)	1.25 (31.80)	.12 (3.00)	.74 (18.90)	.59 (14.90)	.98 (24.99)	M15x1.0-6g 0.100R	14.00 g
C/13	1.50 (38.10)	1.37 (34.90)	.12 (3.00)	.87 (22.10)	.70 (17.90)	1.17 (29.77)	M18x1.0-6g 0.100R	18.00 g
D/15	1.63 (41.30)	1.50 (38.10)	.12 (3.00)	.99 (25.25)	.86 (21.90)	1.30 (32.91)	M22x1.0-6g 0.100R	23.00 g
E/17	1.75 (44.50)	1.63 (41.30)	.12 (3.00)	1.18 (29.95)	.98 (24.90)	1.42 (36.12)	M25x1.0-6g 0.100R	29.00 g
F/19	1.94 (49.20)	1.81 (46.00)	.15 (3.70)	1.24 (31.55)	1.10 (27.90)	1.55 (39.25)	M28x1.0-6g 0.100R	35.00 g
G/21	2.06 (52.40)	1.94 (49.20)	.15 (3.70)	1.37 (34.70)	1.22 (30.90)	1.67 (42.47)	M31x1.0-6g 0.100R	38.00 g
H/23	2.19 (55.60)	2.06 (52.40)	.15 (3.70)	1.49 (37.90)	1.33 (33.90)	1.80 (45.61)	M34x1.0-6g 0.100R	46.00 g
J/25	2.31 (58.70)	2.19 (55.60)	.15 (3.70)	1.62 (41.10)	1.45 (36.90)	1.94 (49.25)	M37x1.0-6g 0.100R	55.00 g

\*Mass without contacts

All dimensions in inches (millimeters in parenthesis)