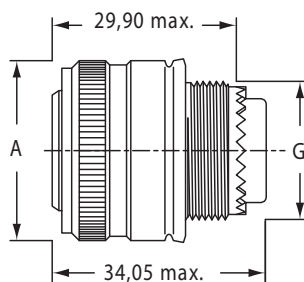


DIMENSIONS

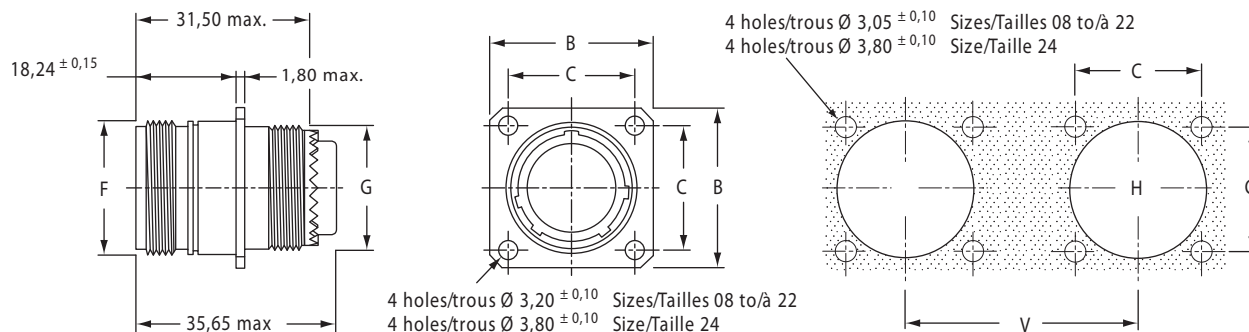
PLUG - CRIMP TYPE 6



SHELL SIZE	A MAX.	G MAX.	WEIGHT GRAMS*	
			STEEL	ALUMINIUM
08	.839 (21.30)	.500 (12.70)	31	14
10	.980 (24.90)	.624 (15.85)	44	21
12	1.165 (29.60)	.750 (19.05)	57	26
14	1.230 (31.24)	.874 (22.20)	72	38
16	1.276 (32.42)	1.000 (25.40)	82	39
18	1.470 (37.24)	1.061 (26.95)	95	43
20	1.965 (49.91)	1.187 (30.15)	108	48
22	1.735 (44.07)	1.311 (33.30)	121	65
24	1.860 (47.24)	1.437 (36.50)	134	67
28	2.175 (55.24)	1.750 (44.45)	160	103

*Without contacts

SQUARE FLANGE - CRIMP STYLE TYPE 0

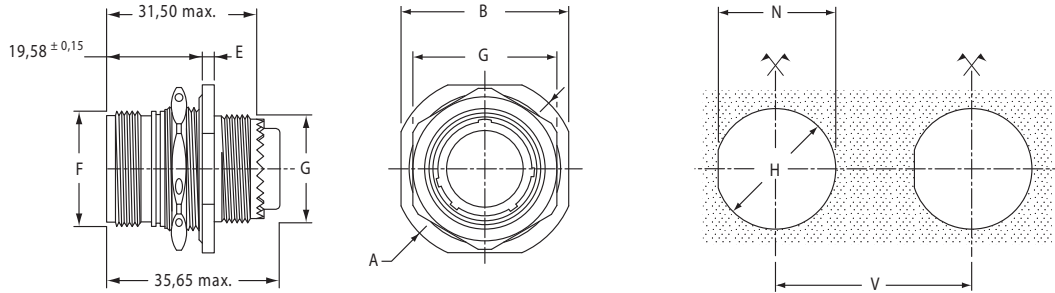


SHELL SIZE	B MAX.	C +/- .002 (+/- .05)	F MAX.	G MAX.	H + 0 / - .001 (+0 / - .02)	V MIN.	WEIGHT GRAMS*	
							STEEL	ALUMINIUM
08	.817 (20.75)	.594 (15.09)	.562 (14.27)	.500 (12.70)	.622 (15.80)	1.248 (31.70)	31	14
10	.942 (23.93)	.719 (18.26)	.688 (17.47)	.625 (15.88)	.736 (18.70)	1.374 (34.90)	44	21
12	1.036 (26.32)	.812 (20.62)	.875 (22.22)	.750 (19.05)	.921 (23.40)	1.559 (39.60)	57	26
14	1.130 (28.71)	.906 (23.01)	.938 (23.82)	.875 (22.23)	.980 (24.90)	1.624 (41.25)	72	38
16	1.255 (31.88)	.969 (24.61)	1.062 (26.97)	1.000 (25.40)	1.114 (28.3)	1.750 (44.45)	82	39
18	1.348 (34.24)	1.050 (26.67)	1.188 (30.18)	1.062 (26.97)	1.224 (31.10)	1.864 (47.35)	95	43
20	1.442 (36.63)	1.156 (29.36)	1.312 (33.32)	1.188 (30.18)	1.358 (34.50)	2.043 (51.90)	108	48
22	1.567 (39.80)	1.250 (31.75)	1.438 (36.53)	1.312 (33.32)	1.476 (37.50)	2.130 (54.10)	121	65
24	1.708 (43.39)	1.375 (34.92)	1.562 (39.67)	1.438 (36.53)	1.598 (40.6)	2.254 (57.25)	134	67
28	2.005 (50.93)	1.562 (39.67)	1.812 (46.02)	1.750 (44.45)	1.890 (48.00)	2.569 (65.25)	160	103

*Without contacts

All dimensions in inches (millimeters in parenthesis)

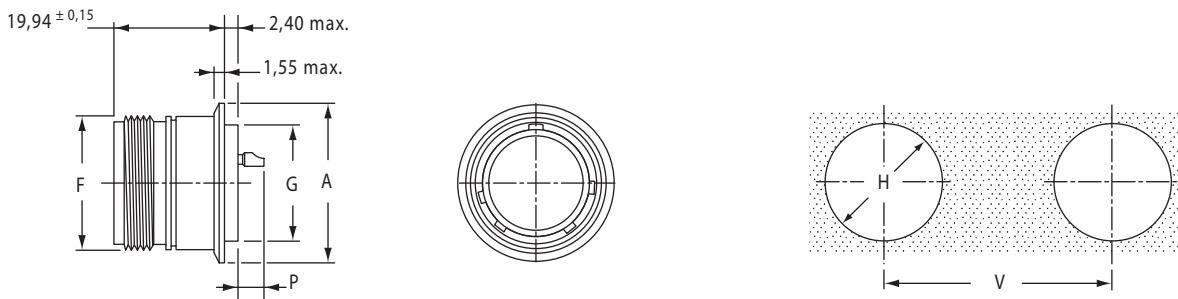
JAM NUT MOUNTING - CRIMP STYLE TYPE 7



SHELL SIZE	A MAX.	B MAX.	E MAX.	F MAX.	G MAX.	H + 0 /- .001 (+0 /-.02)	M MAX.	N + 0 /- .001 (+0 /-.02)	V MIN.	WEIGHT MAX GRAMS*		TIGHTENING TORQUE OF PANEL NUT
										STEEL	ALUMINIUM	
08	1.078 (27.38)	.980 (24.89)	.137 (3.48)	.562 (14.27)	.500 (12.70)	.640 (16.26)	.829 (21.06)	.610 (15.50)	1.248 (31.70)	32	15	7m.N max.
10	1.192 (30.28)	1.104 (28.04)	.137 (3.48)	.688 (17.47)	.625 (15.88)	.765 (19.43)	.954 (24.23)	.735 (18.67)	1.374 (34.90)	41	21	10m.N max.
12	1.380 (35.05)	1.291 (32.79)	.137 (3.48)	.875 (22.22)	.750 (19.05)	.952 (24.18)	1.142 (29.01)	.922 (23.42)	1.559 (39.60)	58	30	12m.N max.
14	1.516 (38.51)	1.391 (35.33)	.137 (3.48)	.938 (23.82)	.875 (22.23)	1.015 (25.78)	1.205 (30.61)	.985 (25.02)	1.624 (41.25)	68	35	15m.N max.
16	1.641 (41.68)	1.516 (38.51)	.137 (3.48)	1.062 (26.97)	1.000 (25.40)	1.140 (28.96)	1.329 (33.76)	1.110 (28.20)	1.750 (44.45)	82	46	18m.N max.
18	1.766 (44.86)	1.641 (41.68)	.137 (3.48)	1.188 (30.18)	1.062 (26.97)	1.265 (32.13)	1.455 (36.96)	1.230 (31.25)	1.864 (47.35)	88	51	22m.N max.
20	1.954 (49.63)	1.766 (44.86)	.137 (3.48)	1.312 (33.32)	1.188 (30.18)	1.390 (35.31)	1.579 (40.11)	1.355 (34.42)	2.043 (51.90)	100	56	25m.N max.
22	2.078 (52.78)	1.954 (49.63)	.148 (3.76)	1.438 (36.53)	1.312 (33.32)	1.515 (38.48)	1.705 (43.31)	1.480 (37.59)	2.130 (54.10)	123	69	27m.N max.
24	2.182 (55.42)	2.079 (52.81)	.148 (3.76)	1.562 (39.67)	1.438 (36.53)	1.640 (41.66)	1.829 (46.46)	1.605 (40.77)	2.254 (57.25)	137	82	29m.N max.
28	2.434 (61.82)	2.331 (59.21)	.148 (3.76)	1.812 (46.02)	1.750 (44.45)	1.890 (48.01)	2.142 (54.41)	1.856 (47.14)	2.569 (65.25)	191	120	30m.N max.

*Without contacts

SQUARE FLANGE - HERMETIC TYPE 0



SHELL SIZE	B MAX.	C +/- .002 (+/- .05)	F MAX.	G MAX.	H + 0 /- .001 (+0 /-.02)	P MAX.		V MIN.	WEIGHT MAX. GRAMS*
						SIZE	SIZE		
						20	16-12		
08	.817 (20.75)	.594 (15.09)	.562 (14.27)	.500 (12.70)	.622 (15.80)	.194 (4.93)	.224 (5.69)	1.248 (31.70)	18
10	.942 (23.93)	.719 (18.26)	.688 (17.47)	.625 (15.88)	.736 (18.70)	.194 (4.93)	.224 (5.69)	1.374 (34.90)	24
12	1.036 (26.32)	.812 (20.62)	.875 (22.22)	.750 (19.05)	.921 (23.40)	.194 (4.93)	.224 (5.69)	1.559 (39.60)	31
14	1.130 (28.71)	.906 (23.01)	.938 (23.82)	.875 (22.23)	.980 (24.90)	.194 (4.93)	.224 (5.69)	1.624 (41.25)	40
16	1.255 (31.88)	.969 (24.61)	1.062 (26.97)	1.000 (25.40)	1.114 (28.3)	.194 (4.93)	.224 (5.69)	1.750 (44.45)	49
18	1.348 (34.24)	1.050 (26.67)	1.188 (30.18)	1.062 (26.97)	1.224 (31.10)	.194 (4.93)	.224 (5.69)	1.864 (47.35)	54
20	1.442 (36.63)	1.156 (29.36)	1.312 (33.32)	1.188 (30.18)	1.358 (34.50)	.194 (4.93)	.224 (5.69)	2.043 (51.90)	62
22	1.567 (39.80)	1.250 (31.75)	1.438 (36.53)	1.312 (33.32)	1.476 (37.50)	.194 (4.93)	.224 (5.69)	2.130 (54.10)	77
24	1.708 (43.39)	1.375 (34.92)	1.562 (39.67)	1.438 (36.53)	1.598 (40.60)	.194 (4.93)	.224 (5.69)	2.254 (57.25)	88

*Without contacts

All dimensions in inches (millimeters in parenthesis)