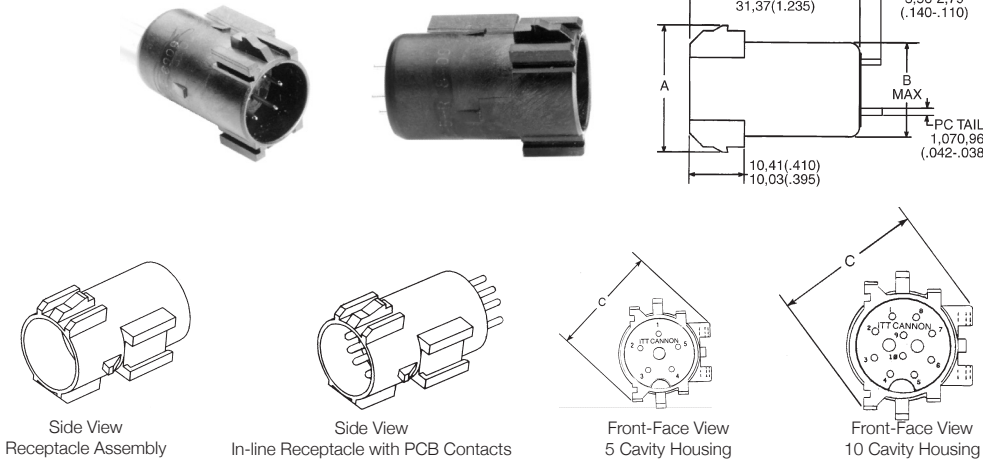
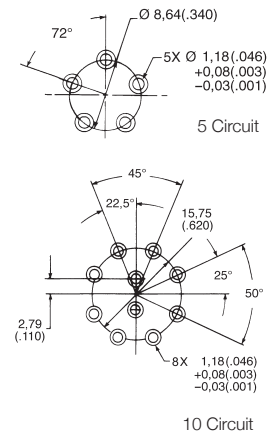


RECEPTACLE, IN-LINE (TYPE R & B)

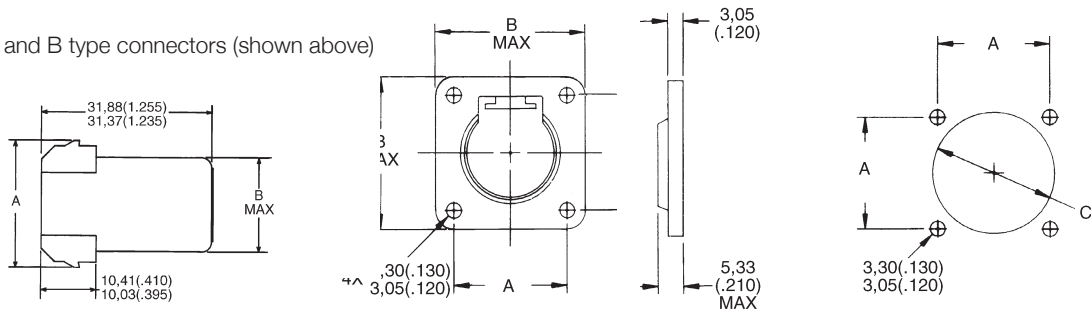


RECOMMENDED PC BOARD LAYOUT



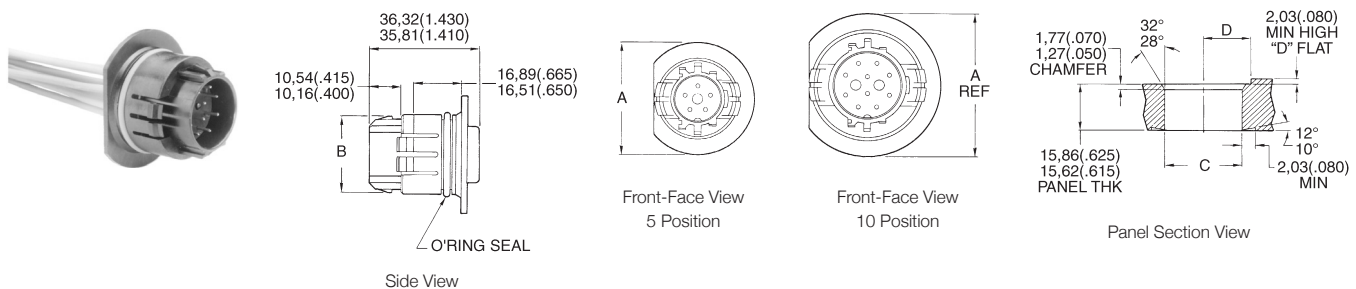
HOUSING SIZE	CRIMP		PCB		A	B	C REF.
	PART NUMBER	DESCRIPTION	PART NUMBER	DESCRIPTION			
5	098530-0000	SLC-5R5-00	098531-0000	SLC-5B5-00	24.13 (.950)	18.03 (.710)	24.38 (.960)
10	098530-0002	SLC-10R5-00	098531-0002	SLC-10B5-00	31.24 (1.230)	25.15 (.990)	31.62 (1.245)

Square Flange for R and B type connectors (shown above)



MATERIALS & FINISHES	HOUSING	PART NUMBER	A	B MAX	C
Material: Thermoplastic	5	066-9504-000	23.37 (.920)	31.24 (1.230)	32.50 - 31.75 (1.280 - 1.250)
Color: Black	10	066-9504-001	28.45 (1.120)	36.32 (1.430)	25.40 - 26.64 (1.000 - .970)

SNAP-THRU RECEPTACLE (TYPE T)



HOUSING SIZE	PART NUMBER	DESCRIPTION	A	B	C	D
5	098533-0000	SLC-5T5-00	37.21 (1.465)	24.13 (.950)	25.60 (1.008)	15.62 (.615)
10	098533-0002	SLC-10T5-00	47.62 (1.875)	31.24 (1.230)	35.05 (1.380)	20.19 (.795)

All dimensions are in mm (inches) unless otherwise indicated.