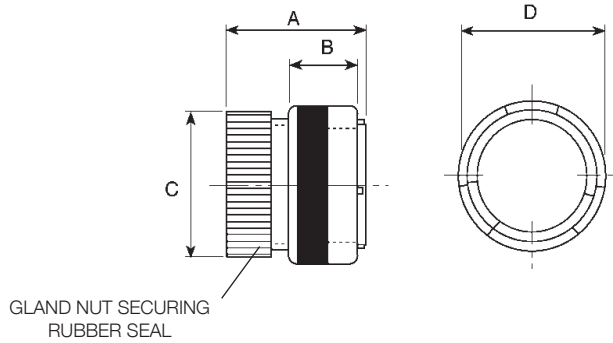


DIMENSIONS

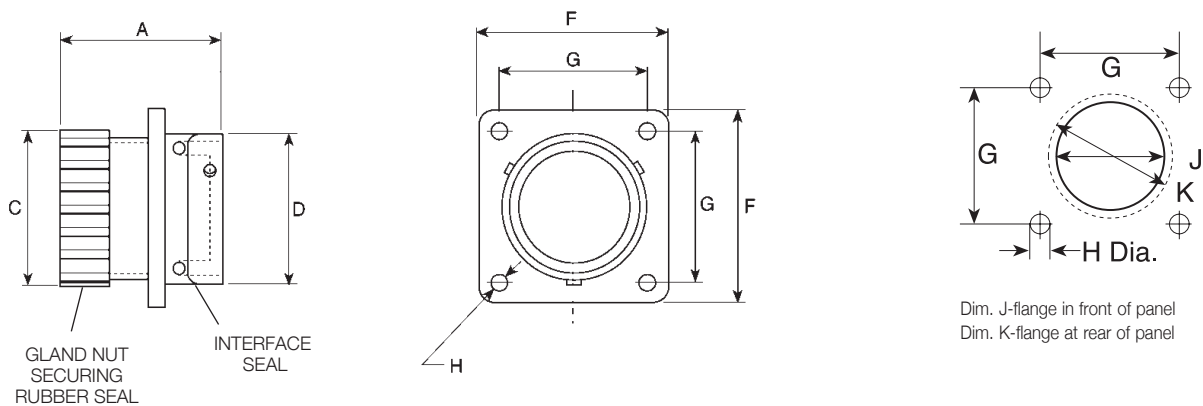
TNM STANDARD PLUG



NUMBER OF CONTACTS	SHELL SIZE	PART NUMBER	A	B	C	D
4	10	192993-0011	1.673 (42.5)	.580 (14.7)	.689 (17.5)	.850 (21.6)
4†	10	192993-0001	1.500 (38.1)	.580 (14.7)	.543 (13.8)	.850 (21.6)
8	12	192993-0012	1.673 (42.5)	.580 (14.7)	.811 (20.6)	.976 (24.8)
8†	12	192993-0002	1.500 (38.1)	.580 (14.7)	.665 (16.9)	.976 (24.8)
12	14	192993-0013	1.673 (42.5)	.580 (14.7)	.957 (24.3)	1.102 (28.0)
12†	14	192993-0003	1.500 (38.1)	.580 (14.7)	.791 (20.1)	1.102 (28.0)
19	16	192993-0014	1.673 (42.5)	.580 (14.7)	1.063 (27.0)	1.229 (31.2)
19†	16	192993-0004	1.500 (38.1)	.580 (14.7)	.917 (23.3)	1.229 (31.2)

† Dimensions without wire seal and standard wire seal endbell.

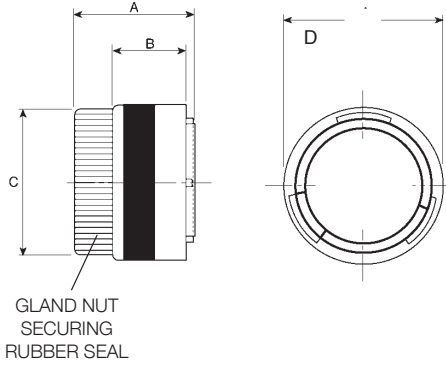
TNM STANDARD FLANGED RECEPTACLES



NUMBER OF CONTACTS	SHELL SIZE	PART NUMBER	A	C	D	F	G	H	J	K
4	10	192993-0031	1.366 (34.7)	.689 (17.5)	.587 (14.92)	.937 (23.79)	.719 (18.26)	.126 (3.2)	.594 (15.1)	.681 (17.3)
4†	10	192993-0021	1.193 (30.3)	.563 (14.3)	.587 (14.92)	.937 (23.79)	.719 (18.26)	.126 (3.2)	.594 (15.1)	.681 (17.3)
8	12	192993-0032	1.366 (34.7)	.811 (20.6)	.747 (18.98)	1.030 (26.15)	.812 (20.62)	.126 (3.2)	.717 (18.2)	.858 (21.8)
8†	12	192993-0022	1.193 (30.3)	.685 (17.4)	.747 (18.98)	1.030 (26.15)	.812 (20.62)	.126 (3.2)	.717 (18.2)	.858 (21.8)
12	14	192993-0033	1.366 (34.7)	.957 (24.3)	.872 (22.16)	1.124 (28.54)	.898 (22.80)	.138 (3.5)	.843 (21.4)	.984 (25.0)
12†	14	192993-0023	1.193 (30.3)	.811 (20.6)	.872 (22.16)	1.124 (28.54)	.898 (22.80)	.138 (3.5)	.843 (21.4)	.984 (25.0)
19	16	192993-0034	1.366 (34.7)	1.063 (27.0)	.997 (25.33)	1.216 (30.89)	.969 (24.61)	.138 (3.5)	.969 (24.6)	1.106 (28.1)
19†	16	192993-0024	1.193 (30.3)	.937 (23.8)	.997 (25.33)	1.216 (30.89)	.969 (24.61)	.138 (3.5)	.969 (24.6)	1.106 (28.1)

† Dimensions without wire seal and standard wire seal endbell.
All dimensions in inches (millimeters in parentheses) unless otherwise stated.

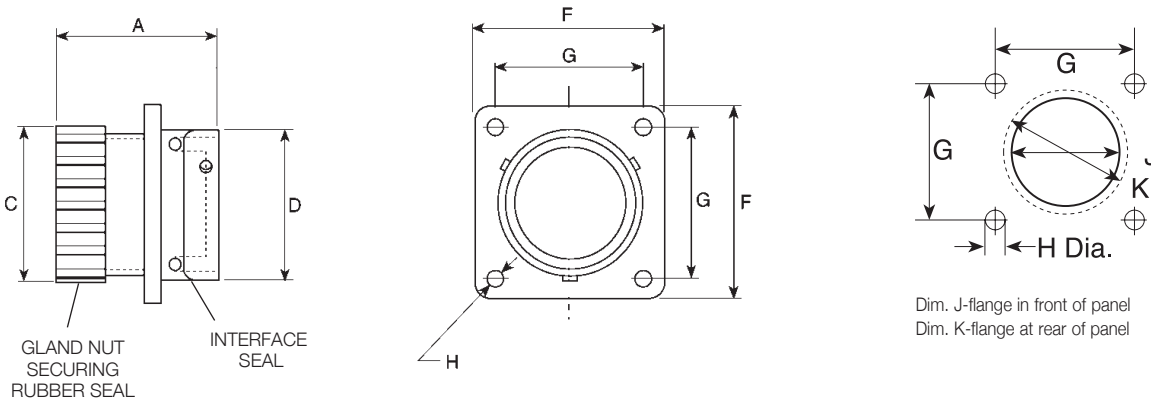
TNM REVERSED PLUG



NUMBER OF CONTACTS	SHELL SIZE	PART NUMBER	A	B	C	D
4	10	192993-0051	1.346 (34.2)	.580 (14.7)	.689 (17.5)	.850 (21.6)
4†	10	192993-0041	1.173 (29.8)	.580 (14.7)	.543 (13.8)	.850 (21.6)
8	12	192993-0052	1.346 (34.2)	.580 (14.7)	.811 (20.6)	.976 (24.8)
8†	12	192993-0042	1.173 (29.8)	.580 (14.7)	.665 (16.9)	.976 (24.8)
12	14	192993-0053	1.346 (34.2)	.580 (14.7)	.957 (24.3)	1.102 (28.0)
12†	14	192993-0043	1.173 (29.8)	.580 (14.7)	.791 (20.1)	1.102 (28.0)
19	16	192993-0054	1.346 (34.2)	.580 (14.7)	1.063 (27.0)	1.229 (31.2)
19†	16	192993-0044	1.173 (29.8)	.580 (14.7)	.917 (23.3)	1.229 (31.2)

† Dimensions without wire seal and standard wire seal endbell.

TNM REVERSED FLANGED RECEPTACLES



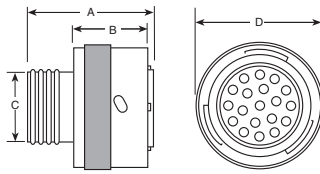
NUMBER OF CONTACTS	SHELL SIZE	PART NUMBER	A	C	D	F	G	H	J	K
4	10	192993-0071	1.693 (43.0)	.689 (17.5)	.587 (14.92)	.937 (23.79)	.719 (18.26)	.126 (3.2)	.594 (15.1)	.681 (17.3)
4†	10	192993-0061	1.520 (38.6)	.563 (14.3)	.587 (14.92)	.937 (23.79)	.719 (18.26)	.126 (3.2)	.594 (15.1)	.681 (17.3)
8	12	192993-0072	1.693 (43.0)	.811 (20.6)	.747 (18.98)	1.030 (26.15)	.812 (20.62)	.126 (3.2)	.717 (18.2)	.858 (21.8)
8†	12	192993-0062	1.520 (38.6)	.685 (17.4)	.747 (18.98)	1.030 (26.15)	.812 (20.62)	.126 (3.2)	.717 (18.2)	.858 (21.8)
12	14	192993-0073	1.693 (43.0)	.957 (24.3)	.872 (22.16)	1.124 (28.54)	.898 (22.80)	.138 (3.5)	.843 (21.4)	.984 (25.0)
12†	14	192993-0063	1.520 (38.6)	.811 (20.6)	.872 (22.16)	1.124 (28.54)	.898 (22.80)	.138 (3.5)	.843 (21.4)	.984 (25.0)
19	16	192993-0074	1.693 (43.0)	1.063 (27.0)	.997 (25.33)	1.216 (30.89)	.969 (24.61)	.138 (3.5)	.969 (24.6)	1.106 (28.1)
19†	16	192993-0064	1.520 (38.6)	.937 (23.8)	.997 (25.33)	1.216 (30.89)	.969 (24.61)	.138 (3.5)	.969 (24.6)	1.106 (28.1)

† Dimensions without wire seal and standard wire seal endbell.
All dimensions in inches (millimeters in parentheses) unless otherwise stated.

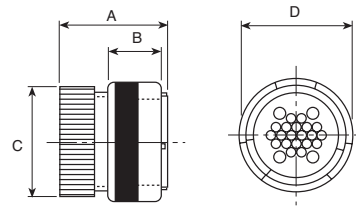
DIMENSIONS

STANDARD PLUG

RINGLOCK



NEPTUNE



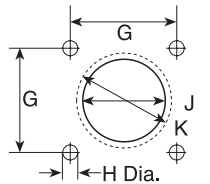
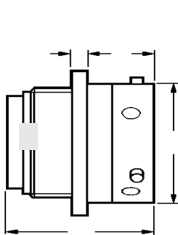
LAYOUT	SHELL SIZE	STANDARD PLUG	A	B	C	D
0-4	10	192922-1250	1.252	0.756	0.429	0.850
0-7	18	192922-1330	1.299	0.756	0.885	1.350
0-8	12	192922-1260	1.252	0.756	0.543	0.976
0-12	14	192922-1270	1.252	0.756	0.669	1.102
0-12	14	192900-0303	1.527	0.756	0.956	1.102
2-13	16	192900-0507	1.566	0.751	1.063	1.189
0-19	16	192922-1280	1.252	0.751	0.783	1.228
0-19	16	192900-0017	1.566	0.756	1.063	1.189
0-23	18	192990-1320	1.252	0.756	0.881	1.350
4-20	24	192900-0014	1.566	0.580	1.594	1.732
0-28	20	192922-1290	1.252	0.751	1.007	1.476
12-19	24	192900-0016	1.566	0.756	1.594	1.732
4-28	24	192900-0015	1.566	0.756	1.594	1.732
0-35	22	192922-1300	1.252	0.580	1.122	1.602
0-48	24	192990-1340	1.252	0.756	1.248	1.728
0-48	24	192900-0469	1.566	0.756	1.594	1.732
0-48 (L)	24	192991-0628	2.000	0.756	1.594	1.732

All dimensions are in inches.

Shaded rows = Neptune Version - Supplied with individual wire seal

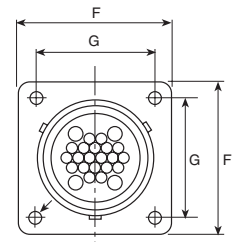
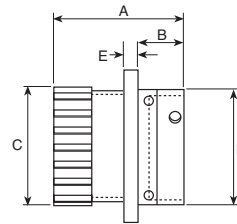
STANDARD FLANGED RECEPTACLE

RINGLOCK



Dim. J-flange in front of panel
Dim. K-flange at rear of panel

NEPTUNE



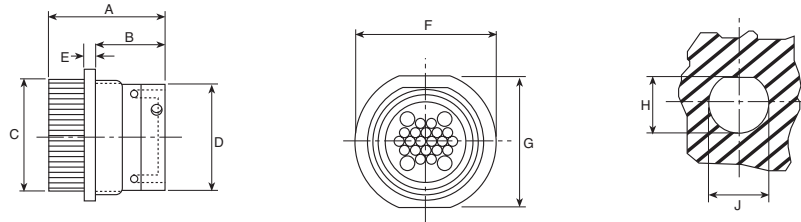
NUMBER OF CONTACTS	SHELL SIZE	STANDARD FLANGED RECEPTACLE	A	B	C	D	E	F	G	H	J	K
0-4	10	192990-1660	1.016	0.439	0.433	0.591	0.091	0.925	0.709	0.128	0.594	0.681
0-7	8	192990-1700	1.280	0.716	0.886	1.122	0.098	1.311	1.063	0.128	1.094	1.232
0-8	12	192990-1670	1.016	0.447	0.547	0.748	0.091	1.031	0.807	0.128	0.717	0.858
0-12	14	192990-1680	1.016	0.447	0.673	0.874	0.091	1.108	0.890	0.128	0.842	0.984
0-12	14	192900-0308	1.563	0.448	0.956	0.874	0.091	1.122	0.901	0.126	0.968	0.968
2-13	16	192900-0509	1.566	0.448	1.063	1.000	0.091	1.220	0.964	0.126	1.106	1.106
0-19	16	192990-1690	1.016	0.447	0.787	1.000	0.091	1.200	0.953	0.128	0.968	1.106
0-19	16	192900-0039	1.566	0.448	1.063	1.000	0.091	1.220	0.964	0.126	1.106	1.106
0-23	18	192990-1710	1.016	0.447	0.886	1.122	0.098	1.311	1.059	0.128	1.094	1.232
4-20	24	192900-0030	1.645	0.606	1.578	1.500	0.138	2.000	1.563	0.165	1.614	1.614
0-28	20	192990-1720	1.311	0.571	1.012	1.248	0.098	1.437	1.150	0.128	1.216	1.358
12-19	24	192900-0036	1.645	0.606	1.578	1.500	0.138	2.000	1.563	0.165	1.614	1.614
4-28	24	192900-0033	1.645	0.606	1.578	1.500	0.138	2.000	1.563	0.165	1.614	1.614
0-35	22	192990-1730	1.311	0.571	1.126	1.374	0.138	1.563	1.244	0.128	1.342	1.484
0-48	24	192990-1740	1.311	0.602	1.252	1.500	0.138	1.689	1.356	0.154	1.468	1.610
0-48	24	192900-0475	1.645	0.606	1.578	1.500	0.138	2.000	1.563	0.165	1.614	1.614
0-48 (L)	24	192991-0640	2.075	0.606	1.578	1.500	0.138	2.000	1.563	0.165	1.614	1.614

All dimensions are in inches.

Shaded rows = Neptune Version - Supplied with individual wire seal

STANDARD JAM NUT RECEPTACLE

NEPTUNE ONLY



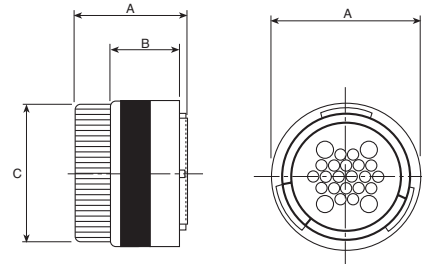
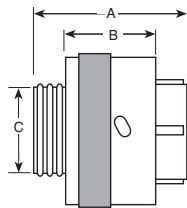
LAYOUT	SHELL SIZE	STANDARD JAM NUT RECEPTACLE	A	B	C	D	E	F	G	H	J
0-12	14	192900-0313	1.563	0.870	0.956	0.874	0.138	1.410	1.267	0.988	1.075
0-19	16	192900-0490	1.565	0.905	1.063	1.000	0.090	1.566	1.511	1.102	1.200
2-13	16	192900-0508	1.565	0.905	1.063	1.000	0.090	1.566	1.511	1.102	1.200
4-20	24	192900-0032	1.646	0.921	1.579	1.500	0.138	2.008	1.870	1.634	1.701
12-19	24	192900-0038	1.646	0.921	1.579	1.500	0.138	2.008	1.870	1.634	1.701
4-28	24	192900-0035	1.646	0.921	1.579	1.500	0.138	2.008	1.870	1.634	1.701
0-48 (L)	24	192991-0644	2.075	0.921	1.579	1.500	0.138	2.008	1.870	1.634	1.701
0-48	24	192900-0481	1.646	0.921	1.579	1.500	0.138	2.008	1.870	1.634	1.701

All dimensions are in inches.
 Shaded rows = Neptune Version - Supplied with individual wire seal

REVERSE PLUG

RINGLOCK

NEPTUNE

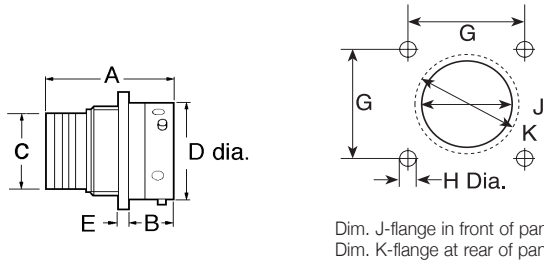


LAYOUT	SHELL SIZE	REVERSE PLUG	A	B	C	D
0-4	10	192926-0500	1.027	0.752	0.433	0.850
0-8	12	192926-0510	1.008	0.752	0.547	0.976
0-12	14	192926-0520	1.055	0.752	0.673	1.102
0-12	14	192900-0236	1.244	0.752	0.957	1.102
0-19	16	192926-0530	1.087	0.752	0.787	1.228
0-19	16	192900-0057	1.248	0.752	1.063	1.189
2-13	16	192900-0581	1.248	0.752	1.063	1.189
0-7	18	192990-1390	1.240	0.752	0.885	1.350
0-23	18	192990-1380	1.008	0.752	0.885	1.350
0-28	20	192926-0540	1.232	0.752	1.011	1.476
0-35	22	192926-0550	1.232	0.752	1.126	1.602
4-20	24	192900-0054	1.275	0.580	1.594	1.732
12-19	24	192900-0056	1.275	0.580	1.594	1.732
4-28	24	192900-0055	1.275	0.580	1.594	1.732
0-48 (L)	24	192991-0648	1.693	0.580	1.594	1.732
0-48	24	192900-0425	1.275	0.580	1.594	1.732
0-48	24	192990-1400	1.232	0.580	1.225	1.728

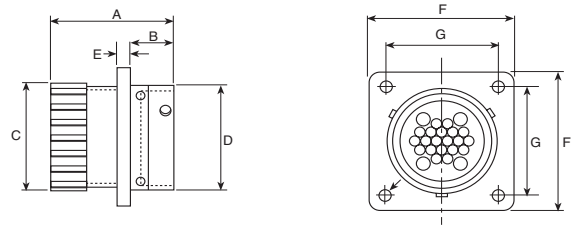
All dimensions are in inches.
 Shaded rows = Neptune Version - Supplied with individual wire seal

REVERSE FLANGED RECEPTACLE

RINGLOCK



NEPTUNE

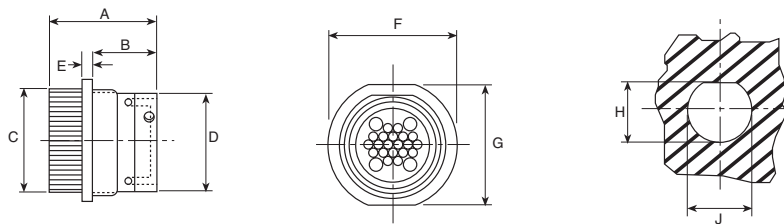


LAYOUT	SHELL SIZE	REVERSE FLANGED RECEPTACLE	A	B	C	D	E	F	G	H	J	K
0-4	10	192990-1760	1.24	0.447	0.433	0.591	0.091	0.925	0.709	0.128	0.594	0.681
0-7	18	192990-1800	1.346	0.700	0.886	1.122	0.091	1.311	1.063	0.128	1.094	1.232
0-8	12	192990-1770	1.240	0.447	0.547	0.748	0.091	1.031	0.807	0.128	0.717	0.858
0-12	14	192990-1780	1.240	0.447	0.673	0.874	0.091	1.108	0.890	0.128	0.843	0.984
0-12	14	192900-0256	1.563	0.448	0.956	0.874	0.090	1.122	0.901	0.126	0.968	0.968
2-13	16	192900-0582	1.566	0.448	1.063	1.000	0.090	1.220	0.964	0.126	1.106	1.106
0-19	16	192990-1790	1.240	0.447	0.787	1.000	0.091	1.200	0.953	0.128	0.969	1.106
0-19	16	192900-0078	1.566	0.448	1.063	1.000	0.090	1.220	0.964	0.126	1.106	1.106
0-23	18	192990-1810	1.240	0.447	0.886	1.122	0.098	1.311	1.059	0.128	1.094	1.232
4-20	24	192900-0069	1.646	0.606	1.578	1.500	0.137	2.000	1.563	0.165	1.614	1.614
0-28	20	192990-1820	1.299	0.573	1.012	1.248	0.098	1.437	1.150	0.128	1.217	1.358
12-19	24	192900-0075	1.646	0.606	1.578	1.500	0.137	2.000	1.563	0.165	1.614	1.614
4-28	24	192900-0072	1.646	0.606	1.578	1.500	0.137	2.000	1.563	0.165	1.614	1.614
0-35	22	192990-1830	1.299	0.573	1.126	1.374	0.138	1.563	1.244	0.128	1.343	1.484
0-48	24	192990-1840	1.370	0.604	1.252	1.498	0.138	1.689	1.356	0.154	1.469	1.610
0-48	24	192900-0431	1.646	0.606	1.578	1.500	0.137	2.000	1.563	0.165	1.614	1.614
0-48 (L)	24	192991-0652	2.075	0.606	1.578	1.500	0.137	2.000	1.563	0.165	1.614	1.614

All dimensions are in inches.
 Shaded rows = Neptune Version - Supplied with individual wire seal

REVERSE JAM NUT RECEPTACLE

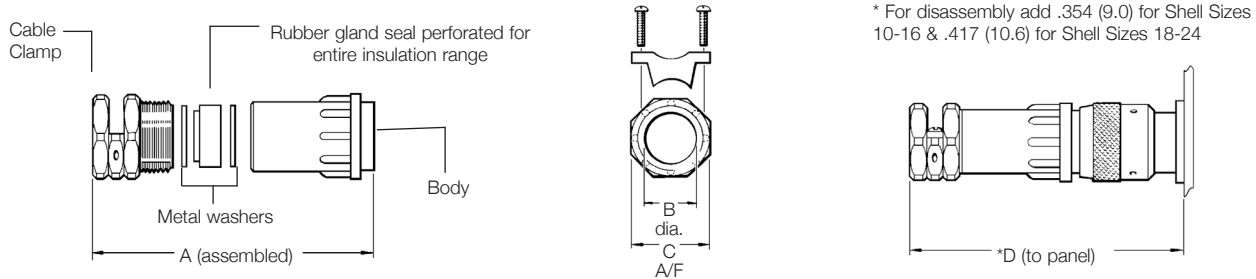
NEPTUNE ONLY



LAYOUT	SHELL SIZE	REVERSE JAM NUT RECEPTACLE	A	B	C	D	E	F	G	H	J
0-12	14	192900-0266	1.563	0.870	0.956	0.874	0.137	1.409	1.267	0.988	1.075
2-13	16	192900-0583	1.566	0.905	1.063	1.000	0.090	1.212	1.503	1.102	1.200
0-19	16	192900-0353	1.566	0.905	1.063	1.000	0.090	1.212	1.503	1.102	1.200
4-20	24	192900-0071	1.645	0.921	1.578	1.500	0.137	2.007	1.870	1.633	1.700
12-19	24	192900-0077	1.645	0.921	1.578	1.500	0.137	2.007	1.870	1.633	1.700
4-28	24	192900-0074	1.645	0.921	1.578	1.500	0.137	2.007	1.870	1.633	1.700
0-48	24	192900-0437	1.646	0.921	1.578	1.500	0.137	2.007	1.870	1.633	1.700
0-48 (L)	24	192991-0656	2.075	0.921	1.578	1.500	0.137	2.007	1.870	1.633	1.700

All dimensions are in inches.
 Shaded rows = Neptune Version - Supplied with individual wire seal

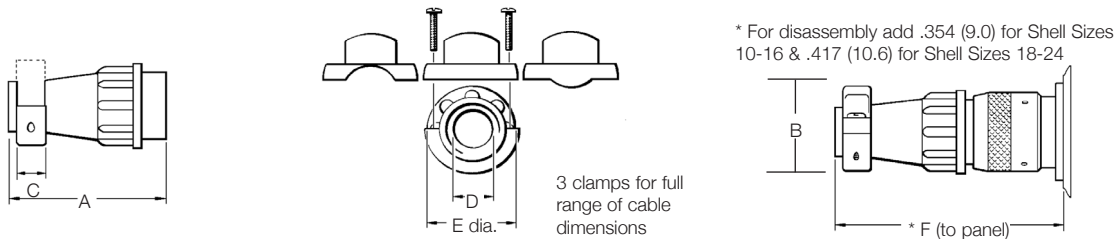
SEALED CABLE CLAMPS FOR USE WITH JACKETED CABLES



SHELL SIZE	PART #	DIMENSIONS				WIRE SEALING DIAMETER INCHES (MM)		REAR THREAD
		A MAX	B MAX	C+ .007 (.20)	D MAX	MAX.	MIN.	
10	192990-1530	2.165 (55.0)	.437 (11.1)	.740 (18.8)	3.011 (76.5)	.354 (9.0)	.165 (4.2)	PG 9
12	192990-1540	2.283 (58.0)	.535 (13.6)	.818 (20.8)	3.063 (77.8)	.366 (9.3)	.224 (5.7)	PG 11
14	192990-1550	2.559 (65.0)	.574 (14.6)	.897 (22.8)	3.366 (85.5)	.488 (12.4)	.256 (6.5)	PG 13.5
14	192900-0496	2.559 (65.0)	.574 (14.6)	.897 (22.8)	3.366 (85.5)	.488 (12.4)	.256 (6.5)	PG 13.5
16	192990-1560	2.716 (69.0)	.653 (16.6)	.972 (24.7)	3.535 (89.8)	.488 (12.4)	.256 (6.5)	PG 16
16	192900-0497	2.716 (69.0)	.653 (16.6)	.972 (24.7)	3.535 (89.8)	.488 (12.4)	.256 (6.5)	PG 16
18	192990-1570	2.874 (73.0)	.653 (16.6)	.972 (24.7)	3.661 (93.0)	.630 (16.0)	.256 (6.5)	PG 16
20	192990-1580	3.267 (83.0)	.870 (22.1)	1.252 (31.8)	4.232 (107.5)	.748 (19.0)	.362 (9.2)	PG 21
22	192990-1590	3.543 (90.0)	.870 (22.1)	1.252 (31.8)	4.507 (114.5)	.748 (19.0)	.362 (9.2)	PG 21
24	192990-1600	4.133 (105.0)	1.165 (29.6)	1.645 (41.8)	5.059 (128.5)	1.040 (26.5)	.670 (17.0)	PG 29
24	192900-0498	4.133 (105.0)	1.165 (29.6)	1.645 (41.8)	5.059 (128.5)	1.040 (26.5)	.670 (17.0)	PG 29

Shaded rows = Neptune Version - Supplied with individual wire seal

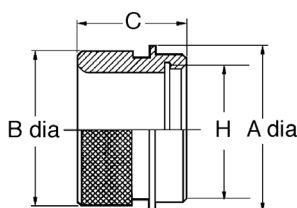
UNSEALED CABLE CLAMPS - STRAIN RELIEF AND WIRE PROTECTION



SHELL SIZE	PART #	DIMENSIONS					
		A+ .005 (.15)	B MAX	C+ .005 (.15)	D MAX	E+ .005 (.15)	F MAX
10	192922-1310	1.570 (39.9)	.846 (21.5)	.251 (6.4)	.342 (8.7)	.826 (21.0)	2.413 (61.3)
12	192922-1320	1.574 (40.0)	.980 (24.9)	.251 (6.4)	.503 (12.8)	.944 (24.0)	2.413 (61.3)
14	192922-1330	1.811 (46.0)	1.063 (27.0)	.251 (6.4)	.543 (13.8)	1.063 (27.0)	2.641 (67.1)
14	192900-0286	1.811 (46.0)	1.063 (27.0)	.251 (6.4)	.543 (13.8)	1.063 (27.0)	2.641 (67.1)
16	192922-1340	1.811 (46.0)	1.185 (30.1)	.251 (6.4)	.669 (17.0)	1.189 (30.2)	2.641 (67.1)
16	192900-0343	1.811 (46.0)	1.185 (30.1)	.251 (6.4)	.669 (17.0)	1.189 (30.2)	2.641 (67.1)
18	192990-1510	1.968 (50.0)	1.259 (32.0)	.275 (7.0)	.783 (19.9)	1.307 (33.2)	2.787 (70.8)
20	192922-1350	2.165 (55.0)	1.350 (34.3)	.275 (7.0)	.826 (21.0)	1.433 (36.4)	3.122 (79.3)
22	192922-1360	2.362 (60.0)	1.460 (37.1)	.322 (8.2)	.905 (23.0)	1.559 (39.6)	3.358 (85.3)
24	192990-1520	2.559 (65.0)	1.645 (41.8)	.322 (8.2)	1.063 (27.0)	1.685 (42.8)	3.574 (90.8)
24	192900-0344	2.559 (65.0)	1.645 (41.8)	.322 (8.2)	1.102 (28.0)	1.673 (42.5)	3.574 (90.8)

Shaded rows = Neptune Version - Supplied with individual wire seal

RINGLOCK ADAPTERS FOR HEAT SHRINK BOOTS OR SLEEVING



SHELL SIZE	PART #	DIMENSIONS (MAX)			
		A	B	C	H THREAD
10	192990-1430	.827 (21.0)	.712 (18.1)	.755 (19.2)	9/16-24UNEF-2B
12	192990-1440	.944 (24.0)	.921 (23.4)	.755 (19.2)	11/16-24UNEF-2B
14	192990-1450	1.063 (27.0)	.952 (24.2)	.755 (19.2)	13/16-20UNEF-2B
16	192990-1460	1.189 (30.2)	1.165 (29.6)	.846 (21.5)	15/16-20UNEF-2B
18	192990-1470	1.311 (33.3)	1.248 (31.7)	.846 (21.5)	1-1/16-18UNEF-2B
20	192990-1480	1.437 (36.5)	1.409 (35.8)	.897 (22.8)	1-3/16-18UNEF-2B
22	192990-1490	1.563 (39.7)	1.503 (38.2)	.897 (22.8)	1-5/16-18UNEF-2B
24	192990-1500	1.689 (42.9)	1.626 (41.3)	.862 (21.9)	1-7/16-18UNEF-2B

All dimensions in inches (millimeters in parentheses) unless otherwise stated.