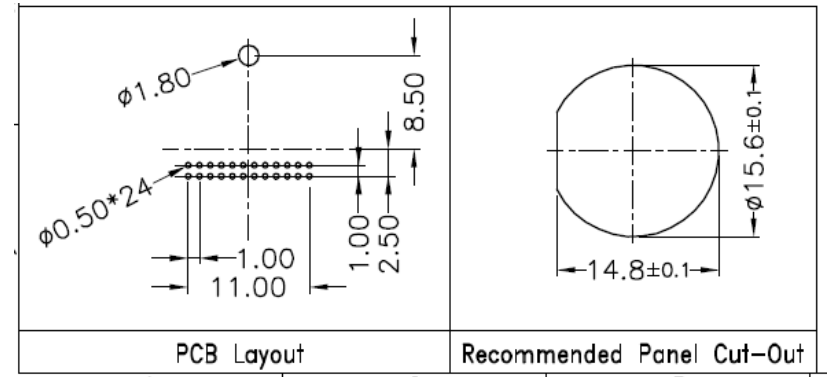
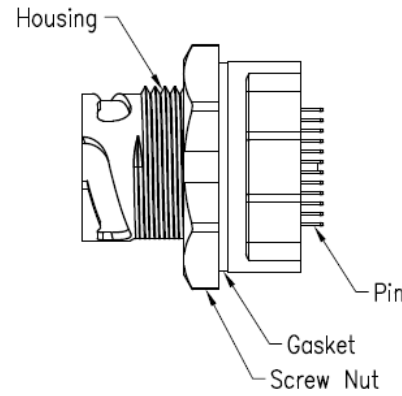
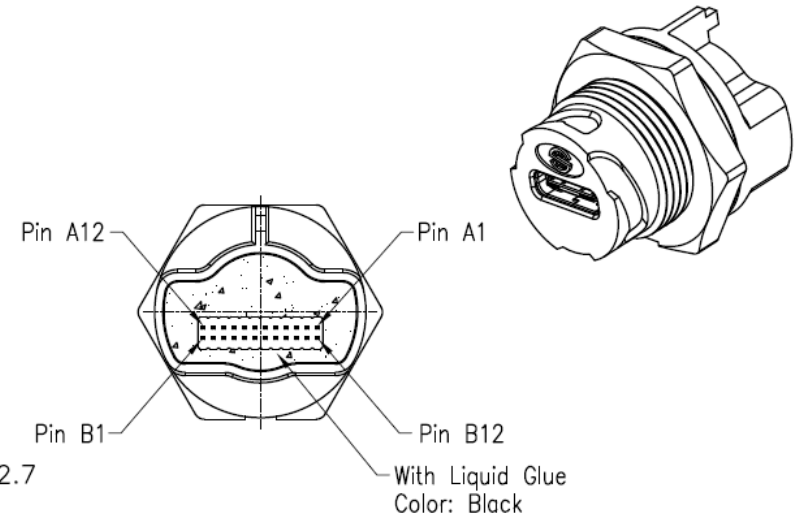
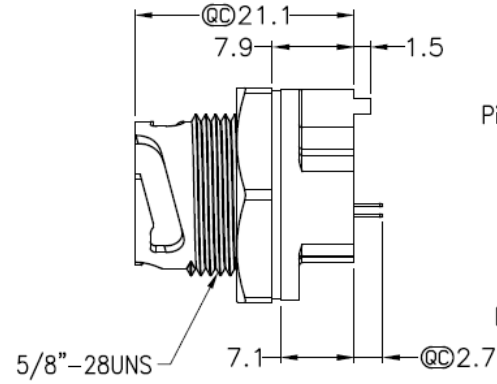
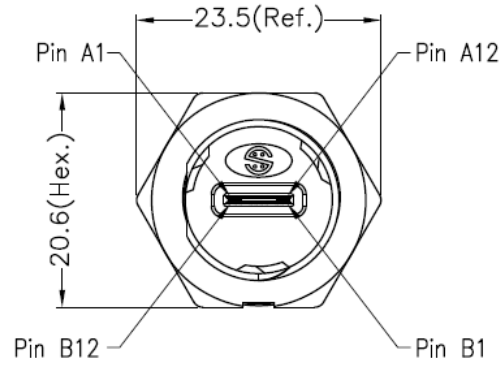


| REVISIONS |  |  |                 | REV | ZONE | ECO# | DESCRIPTION | DRAW | APPD | DATE |
|-----------|--|--|-----------------|-----|------|------|-------------|------|------|------|
| A         |  |  | INITIAL RELEASE | KC  | -    |      |             |      |      |      |



**NOTES:**

1. WATERPROOF RATE: IP67
2. TEMPERATURE RANGE: -40°C TO +85°C
3. MAX PANEL THICKNESS: 4.5mm (WITHOUT CAP CHAIN)
4. MATERIAL:

HOUSING: NYLON, BLACK  
 PIN: COPPER ALLOY, GOLD PLATED  
 SCREW NUT: NYLON, BLACK  
 GASKET: RUBBER

NOTE: CAD GENERATED DRAWING DO NOT UPDATE MANUALLY.

|  |  |                           |  |  |  |  |   |
|--|--|---------------------------|--|--|--|--|---|
| <b>USB TYPE-C 3.1 STANDARD PANEL</b><br><small>UNLESS OTHERWISE SPECIFIED, DIMENSIONS ARE IN MM<br/>       TOLERANCE EXCEPT AS NOTED:<br/>       ANGULAR ± °' DECIMAL .XX ± .XX<br/>       DECIMAL .X ± .X DECIMAL .XXX ± .XXX</small> |  |                           |  | <b>IPUSB-31JCPC</b><br><small>2180 Hornig Road, Philadelphia, PA 19116</small> |  |  |   |
| <small>DATE CODE: 2A589</small>  |  | <small>REV: A</small>     |  | <small>DATE: 1/31/2020</small>   |  |  | <small>NOTICE OF CONFIDENTIALITY<br/>       THIS DRAWING IS THE PROPERTY OF PEI-GENESIS. ALL RIGHTS RESERVED. REPRODUCTION BY ANY MEANS OR DISTRIBUTION TO THIRD PARTIES IS STRICTLY PROHIBITED WITHOUT THE WRITTEN PERMISSION OF AN AUTHORIZED AGENT OF PEI-GENESIS.</small> |
| <small>SIZE: A</small>   |  | <small>SCALE: NTS</small> |  | <small>SHEET 1 OF 1</small>  |  | <small>©COPYRIGHT 2018 PEI-GENESIS ENGINEERING PRODUCT DEVELOPMENT</small> |   |