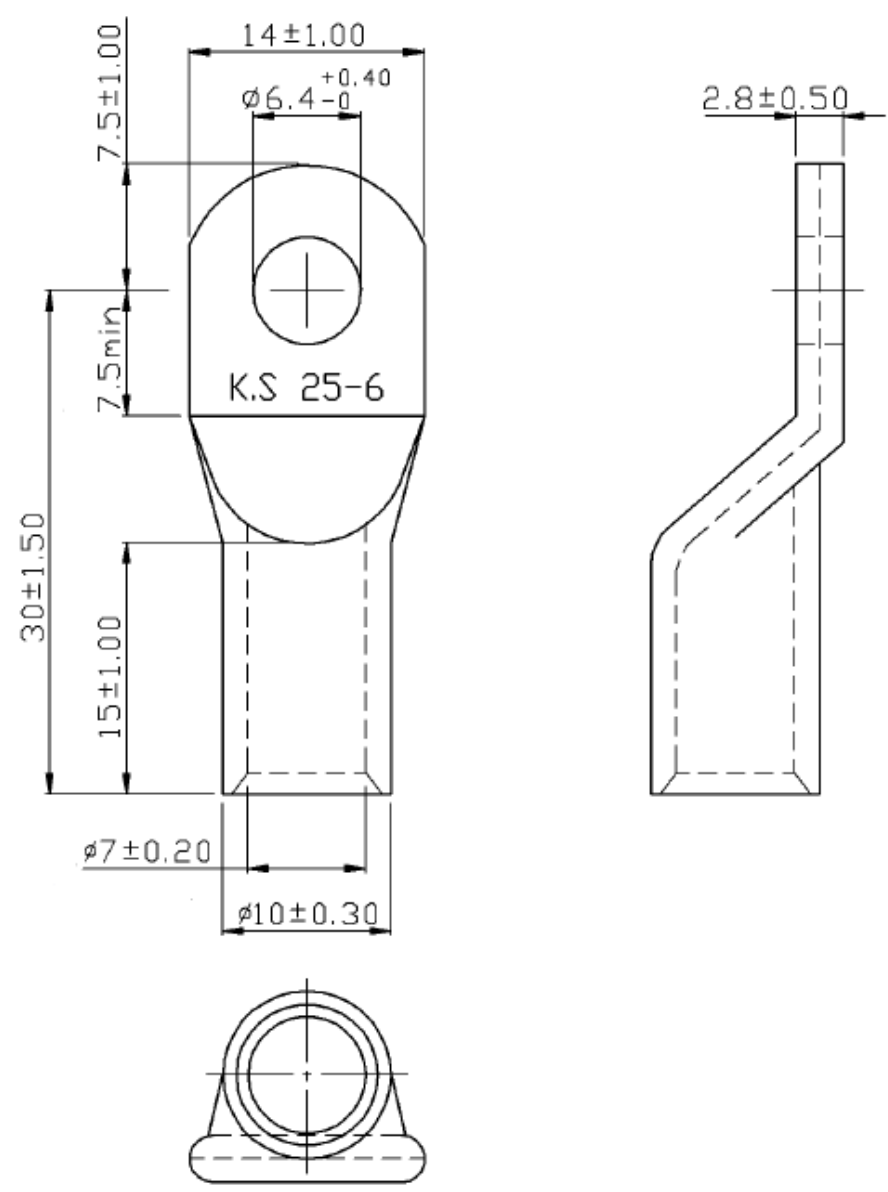


REVISIONS				DRAW	APPD	DATE
REV	ZONE	ECO#	DESCRIPTION	KC	-	
A			INITIAL RELEASE			



- NOTES:**
1. MAXIMUM ELECTRIC CURRENT: AWG 4: 125A
 2. WIRE RANGE: 4 AWG (25 mm²)
 3. SURFACE TREATMENT: TIN PLATED
 4. THICKNESS: 1.50 mm

NOTE: CAD GENERATED DRAWING DO NOT UPDATE MANUALLY.

DATE CODE: 2A589		SIZE: A		SCALE: NTS		SHEET 1 OF 1		PART NUMBER: IPACC-T-LK25-6		 2180 Hornig Road, Philadelphia, PA 19116	
TITLE: 4 AWG LUG, NON-INSULATED UNLESS OTHERWISE SPECIFIED, DIMENSIONS ARE IN MM TOLERANCE EXCEPT AS NOTED: Ø 14 mm 10-20 18-30mm 10-40 Ø 12.5mm 10-30 30-75mm 10-50				THIRD ANGLE PROJECTION 		DRAWN: KC APPD: - DATE: 4/3/2020 REV: A		NOTICE OF CONFIDENTIALITY THIS DRAWING IS THE PROPERTY OF PEI-GENESIS. ALL RIGHTS RESERVED. REPRODUCTION BY ANY MEANS OR DISTRIBUTION TO THIRD PARTIES IS STRICTLY PROHIBITED WITHOUT THE WRITTEN PERMISSION OF AN AUTHORIZED AGENT OF PEI-GENESIS.			