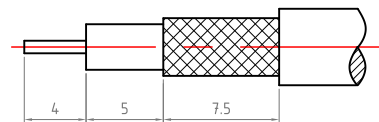
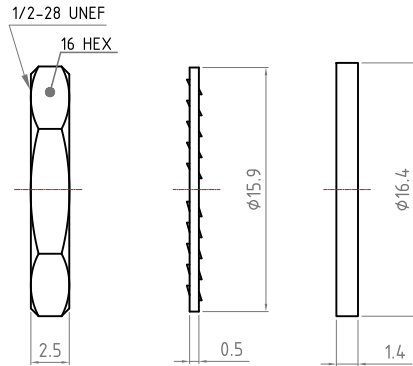
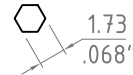
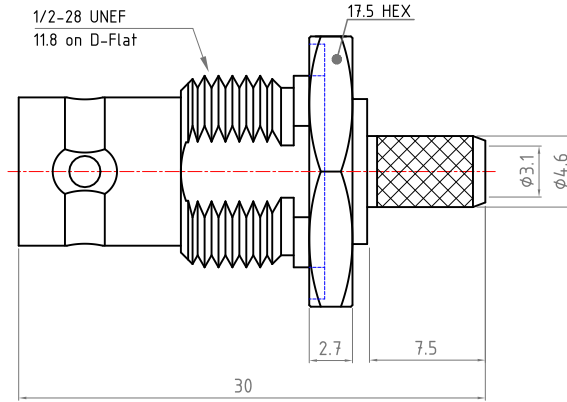


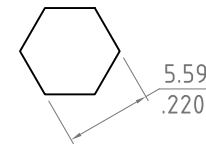
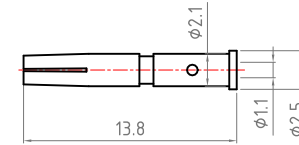
REVISIONS				DRAW	APPD	DATE
REV	ZONE	ECO#	DESCRIPTION			
A			INITIAL RELEASE	AMY	G.SUN	5/21/2019



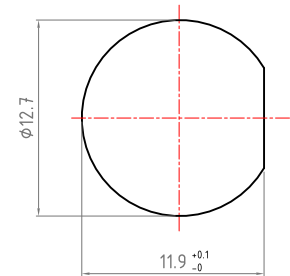
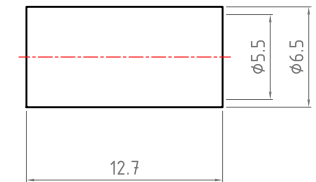
Recommended Cable Stripping Dimensions



Recommended Crimping Dimensions for Inner Contact



Recommended Crimping Dimensions for Ferrule



Recommended Panel Cut Out

Electrical :

Impedance : 50Ω
 Frequency Range : 0~4 GHz .
 Voltage Rating : ≥500 V rms (depending on cable)
 Insulator Resistance : ≥5 GΩ
 Dielectric Withstanding Voltage : 1500 V rms .
 Contact Resistance : Center Contact ≤1.5 mΩ .
 Outer Contact ≤1 mΩ .

Mechanical :

Mating : Bayonet Coupling.
 Recommended Mating Torque : 0.6~2.5 lbs
 Coupling Nut Retention Force : ≥101.2 lbs

Environmental :

Temperature Range : -65°C to 165°C
 Corrosion (Salt Spray) : MIL-STD-202, Method 101, Cond. C
 Thermal Shock : MIL-STD-202, Method 107, Cond. B
 Mechanical : MIL-STD-202, Method 213, Cond. G
 Vibration : MIL-STD-202, Method 204, Cond. B

Notes :

1. Single Crimp: Recommended Dimensions Provided for Ferrule.
 Dual Crimp: Recommended Dimensions Provided for Ferrule and Inner Contact.
2. All Metal Materials Are in Compliance with RoHS 2 Directive 2011/65/EU Annex III Section 6 Paragraph.

Finish [Unit of Plating Thickness Is in Micro Inch(μ)]
 1.Nickel Plating Thk. : 50 μ"min. (Under Plating)
 2.Gold Plating Thk. : 2 μ"max. (Over Finish 1)

TABLE 'A'				
ITEM	NAME	DESCRIPTION	QTY	UNIT
A	Body	Brass ; Finish 1	1	
B	Insulator	Delrin ; None	1	
C	Inner Contact	Brass ; Finish 1/2	1	
D	Ferrule	Brass ; Finish 1	1	
E	O-Ring	PVC ; Orange	1	
F	Lock Washer	Brass ; Finish 1	1	
G	Nut	Brass ; Finish 1	1	

TITLE BNC B/H Jack, Dual Crimp Type
 for RG58, LMR195, HDF195, URM43, B9907, PSF1/6 Cable

UNLESS OTHERWISE SPECIFIED, DIMENSIONS ARE IN INCHES
 TOLERANCE EXCEPT AS NOTED:
 ANGULAR ± X° DECIMAL .XX ± .1
 DECIMAL .X ± .2 DECIMAL .XXX ± .05

PART NUMBER IPRF-B-J20C0N02-H-5

THIRD ANGLE PROJECTION

DATE 5/21/2019
 DRAWN AMY
 APPD G.SUN
 ENGINEERING PRODUCT DEVELOPMENT

SURE-SEAL
 2180 Hornig Road, Philadelphia, PA 19166

NOTICE OF CONFIDENTIALITY
 THIS DRAWING IS THE PROPERTY OF PEI-GENESIS, ALL RIGHTS RESERVED. REPRODUCTION BY ANY MEANS OR DISTRIBUTION TO THIRD PARTIES IS STRICTLY PROHIBITED WITHOUT THE WRITTEN PERMISSION OF AN AUTHORIZED AGENT OF PEI-GENESIS.