

10

9

8

7

6

5

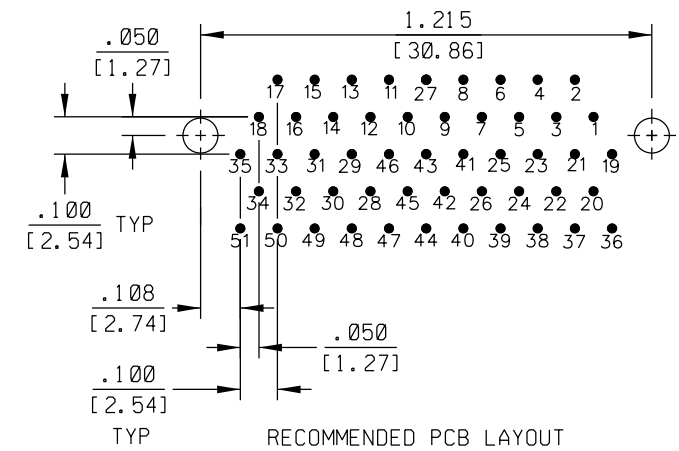
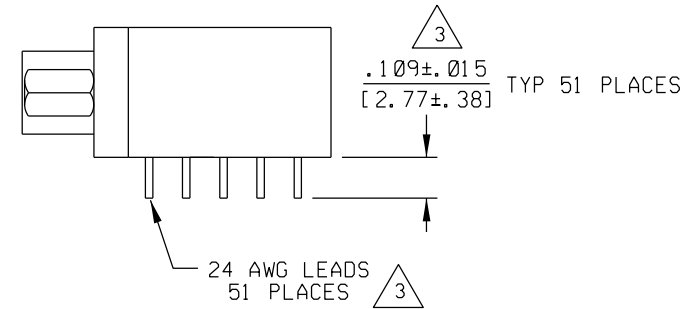
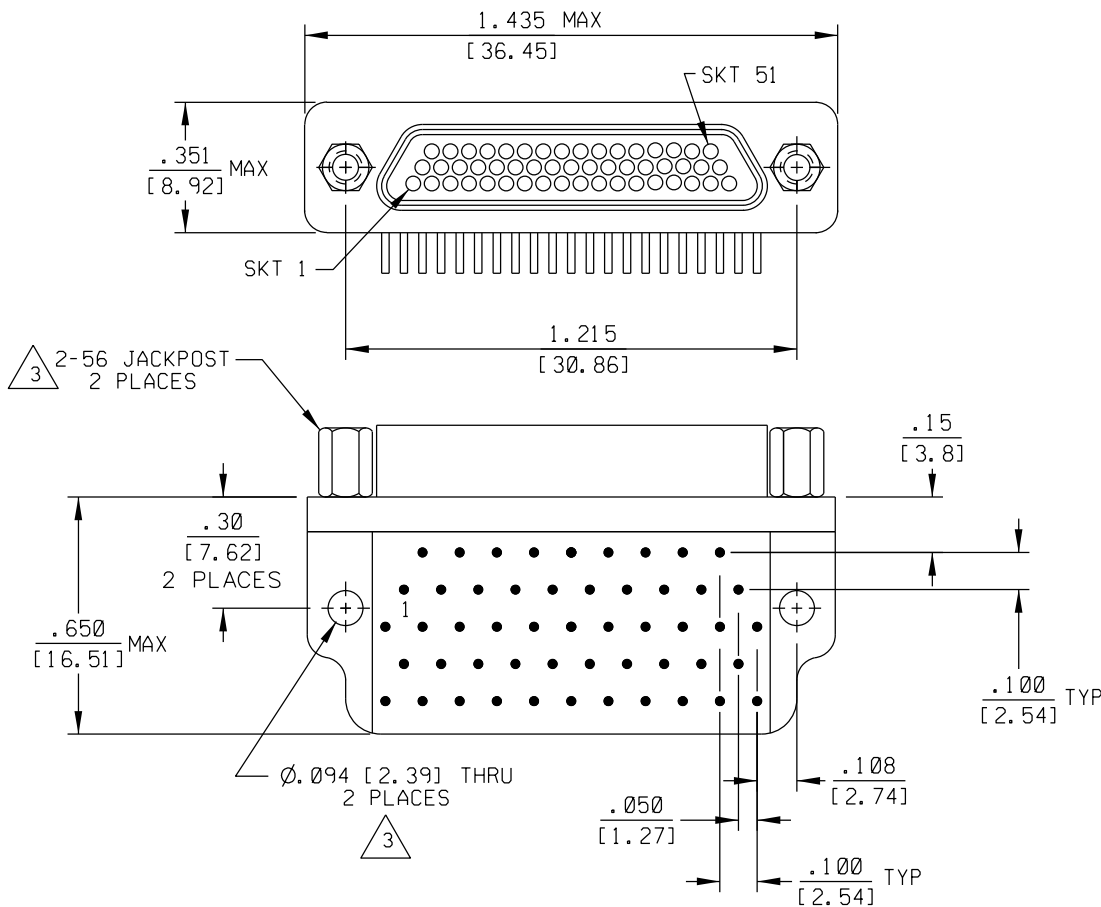
4

3

2

SD-836271117

PART REV	DWG ISSUE	DATE	ECN NO.	APPVD BY	REL BY



4. PERFORMANCE: MEETS OR EXCEEDS REQUIREMENTS OF MIL-DTL-83513.

3 CONSULT FACTORY FOR AVAILABLE OPTIONS.

2 MATERIALS:
 SHELL: 6061-T6 ALUMINUM PER AMS-QQ-A200/8, NICKEL PLATED PER AMS 2404
 INSULATOR: PPS PER MIL-M-24519 GST-40F, COLOR: BLACK
 SOCKET CONTACTS: C21000 COPPER ALLOY PER ASTM B36, GOLD PLATED PER ASTM B488
 SOLID WIRE LEADS: TIN PLATED COPPER PER A-A-59551 TYPE S
 HARDWARE: PASSIVATED STAINLESS STEEL IAW MIL-DTL-83513/5
 INTERFACIAL SEAL: FLUOROSILICONE PER MIL-R-25988

1. MARKING: UMI, DATE CODE, UMI P/N.

NOTES: UNLESS OTHERWISE SPECIFIED

QUALITY SYMBOLS MAJOR = CRITICAL C = SPC S =	UNLESS SPECIFIED: ALL DIMENSIONS IN INCHES/MM	SCALE 3 : 1	DWG SIZE B	THIRD ANGLE PROJECTION	REVISE ON CAD ONLY
	GENERAL TOLERANCES: 3 PLACE ±.005/.13 2 PLACE ±.01/.25 ANGULAR ±2°	DRAWN BY & DATE DW 10-20-11	TITLE: CIRCUIT CONNECTOR, RECEPT. (SKTS), SIZE 51, STYLE 1 (.100 X .100) CMI R51 - 3S07-S01		MATERIAL: 3 2 Uti-Mate Connector Inc.
	Ulti-Mate CAGE CODE 58967	CHECKED BY & DATE	APPROVED BY & DATE	CAD FILENAME SD-836271117.DGN	PART NO. 836271117
				DRAWING NO. SD-836271117	SHEET NO. 1 OF 1
		THIS DRAWING CONTAINS INFORMATION THAT IS PROPRIETARY TO ULTI-MATE INCORPORATED AND SHOULD NOT BE USED WITHOUT WRITTEN PERMISSION.			