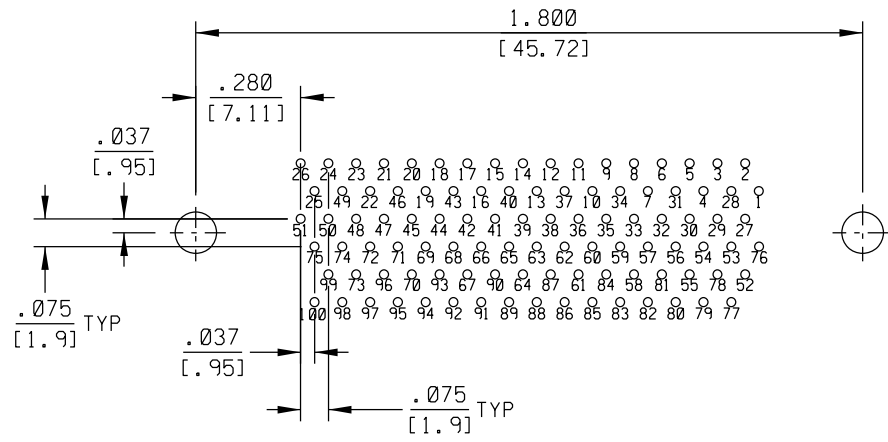
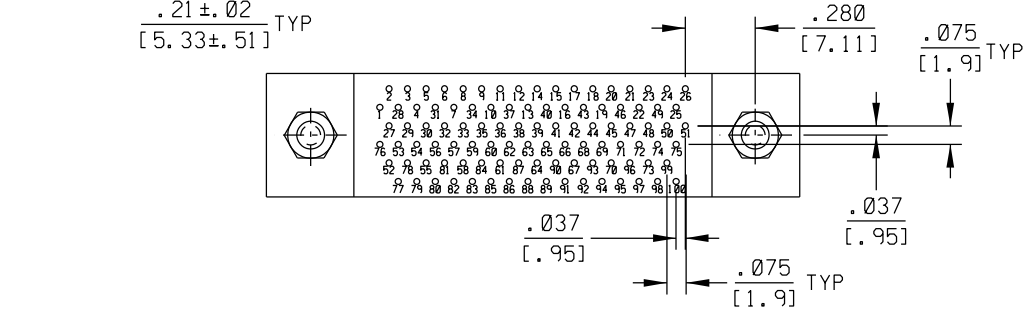
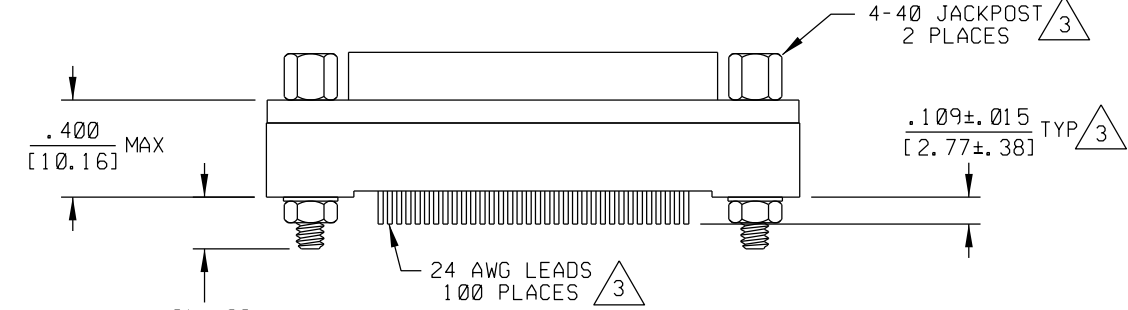
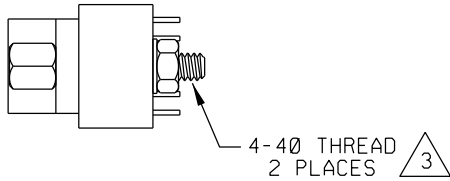
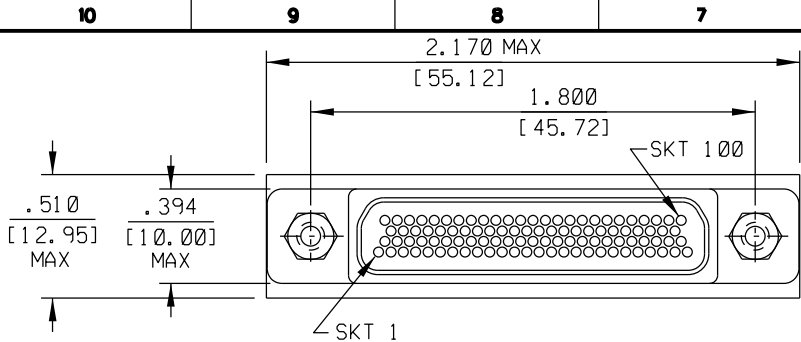


PART REV	DWG ISSUE	DATE	ECN NO.	APPVD BY	REL BY



RECOMMENDED PCB LAYOUT  
SCALE 3:1

4. PERFORMANCE: MEETS OR EXCEEDS REQUIREMENTS OF MIL-DTL-83513

3 CONSULT FACTORY FOR AVAILABLE OPTIONS

2 MATERIALS:  
SHELL: 6061-T6 ALUMINUM PER SAE-AMS-QQ-A200/8,  
NICKEL PLATED PER AMS 2404  
INSULATOR AND BACKSHELL: PPS PER MIL-M-24519 GST-40F, COLOR: BLACK  
SOCKET CONTACTS: C21000 BRASS ALLOY PER ASTM B36,  
GOLD PLATED PER ASTM B488  
24 AWG LEADS: TIN PLATED COPPER PER A-A-59551 TYPE S  
HARDWARE: PASSIVATED STAINLESS STEEL IAW MIL-DTL-83513/5  
INTERFACIAL SEAL: FLUOROSILICONE PER MIL-R 25988

1. MARKINGS: "UMI", UMI DATE CODE, AND UMI PART NUMBER.

NOTES: UNLESS OTHERWISE SPECIFIED.

<b>QUALITY SYMBOLS</b> MAJOR = CRITICAL = SPC =	UNLESS SPECIFIED: ALL DIMENSIONS IN INCHES/MM	SCALE 2:1	DWG SIZE B	THIRD ANGLE PROJECTION	REVISE ON CAD ONLY	
	GENERAL TOLERANCES: 3 PLACE ±.005/.13 2 PLACE ±.01/.25 ANGULAR ±2°	DRAWN BY & DATE DW 11-10-11	TITLE: CIRCUIT CONNECTOR, RECEPTACLE, SIZE 100, STYLE 6 (.075 X .075), CM6R1 00S1 7-S01			
	Uti-Mate CAGE CODE <b>58967</b>	CHECKED BY & DATE	MATERIAL:   Uti-Mate Connector Inc.			
	APPROVED BY & DATE	CAD FILENAME SD-836281 61 7. DGN	PART NO. 836281 61 7	DRAWING NO. SD-836281 61 7	SHEET NO. 1 OF 1	
THIS DRAWING CONTAINS INFORMATION THAT IS PROPRIETARY TO ULTI-MATE INCORPORATED AND SHOULD NOT BE USED WITHOUT WRITTEN PERMISSION.						