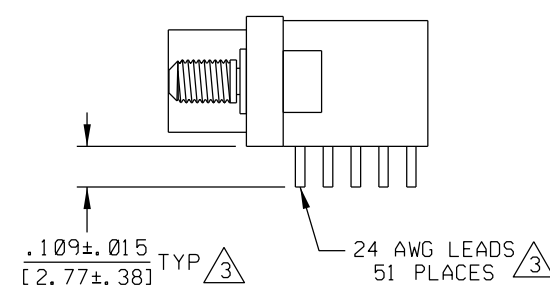
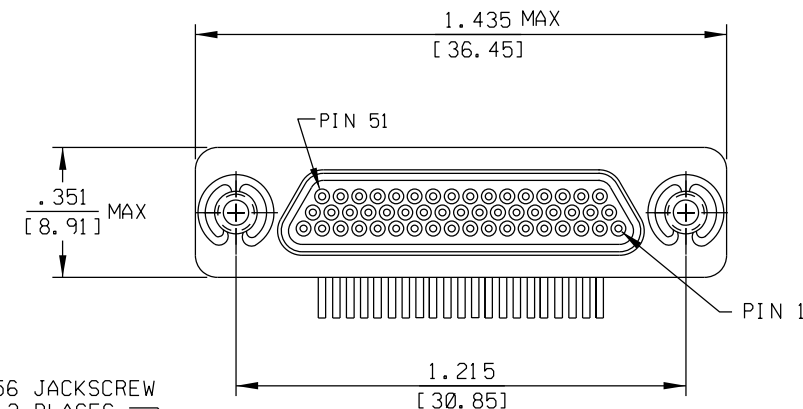
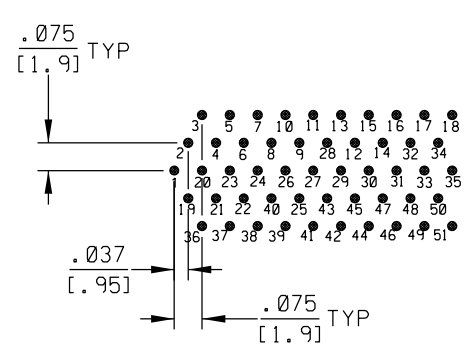
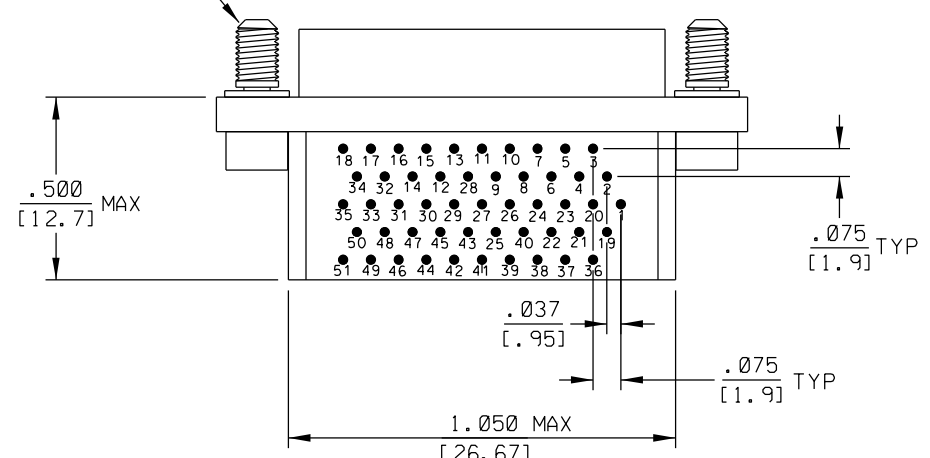


PART REV	DWG ISSUE	DATE	ECN NO.	APPVD BY	REL BY



3 2-56 JACKSCREW
2 PLACES



RECOMMENDED PCB LAYOUT

4. PERFORMANCE: MEETS OR EXCEEDS REQUIREMENTS OF MIL-DTL-83513

3 CONSULT FACTORY FOR AVAILABLE OPTIONS

2 MATERIALS:
SHELL: 6061-T6 ALUMINUM PER SAE-AMS-QQ-A200/8, NICKEL PLATED PER AMS 2404
INSULATOR AND BACKSHELL: PPS PER MIL-M-24519 GST-40F, COLOR: BLACK
PIN CONTACTS: C17200 BERYLLIUM COPPER PER ASTM-B194,
GOLD PLATED PER ASTM B488

24 AWG LEADS: TIN PLATED COPPER PER A-A-59551 TYPE S
HARDWARE: PASSIVATED STAINLESS STEEL IAW MIL-DTL-83513/5
1. MARKING: UMI, DATE CODE, UMI P/N.

NOTES: UNLESS OTHERWISE SPECIFIED.

QUALITY SYMBOLS MAJOR ▼ = 0 CRITICAL ▽ = 0 SPC ▽ = 0	UNLESS SPECIFIED: ALL DIMENSIONS IN INCHES/MM	SCALE 3:1	DWG SIZE B	THIRD ANGLE PROJECTION	REVISE ON CAD ONLY
	GENERAL TOLERANCES: 3 PLACE ± .005 / .13 2 PLACE ± .01 / .25 ANGULAR ± 2°	DRAWN BY & DATE DW 11-16-11	TITLE: CIRCUIT CONNECTOR, PLUG (PINS), STYLE 18 (.075 X .075), SIZE 51-3, CMI 8R51-3P02-S01		MATERIAL: 2 3 Uti-Mate Connector Inc.
	UMI-Mate CAGE CODE 58967	CHECKED BY & DATE	APPROVED BY & DATE	CAD FILENAME SD-836171012.DGN	PART NO. 836171012
				DRAWING NO. SD-836171012	SHEET NO. 1 OF 1
		THIS DRAWING CONTAINS INFORMATION THAT IS PROPRIETARY TO ULTI-MATE INCORPORATED AND SHOULD NOT BE USED WITHOUT WRITTEN PERMISSION.			REV -