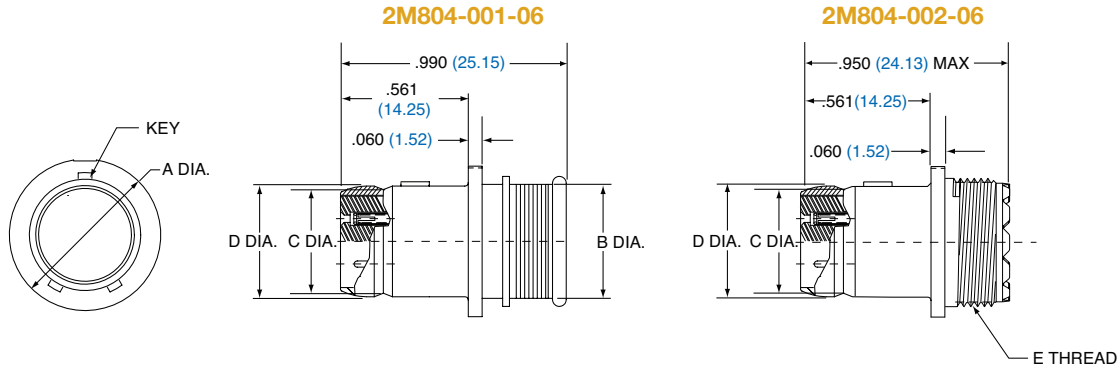
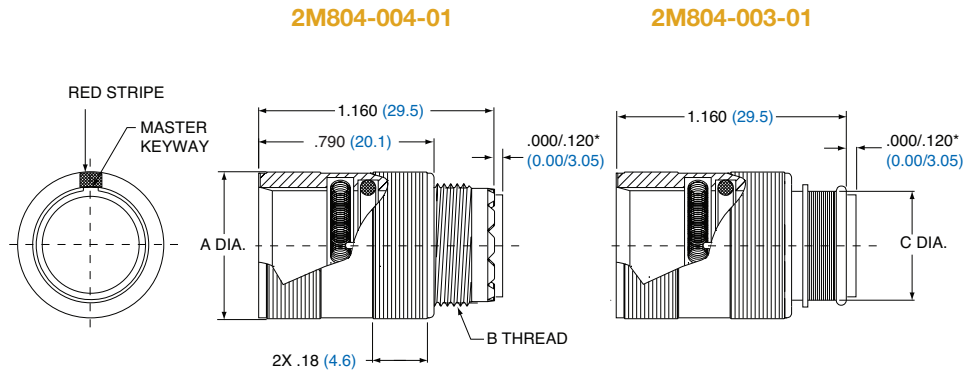


PLUG



SHELL SIZE	A DIA.		B DIA.		C DIA.		D DIA.		E THREAD
	IN.	MM.	IN.	MM.	IN.	MM.	IN.	MM.	
5	0.420	10.67	0.246	6.25	0.219	5.56	0.260	6.60	.2500-32 UNEF-2A
6	0.495	12.57	0.286	7.26	0.275	6.99	0.325	8.26	.3125-32 UNEF-2A
7	0.562	14.28	0.390	9.91	0.351	8.92	0.390	9.90	.4375-28 UNEF-2A
8	0.605	15.37	0.442	11.23	0.398	10.11	0.440	11.18	.5000-28 UNEF-2A
9	0.670	17.02	0.500	12.70	0.450	11.43	0.495	12.57	.5625-24 UNEF-2A
10	0.745	18.92	0.564	14.33	0.529	13.44	0.563	14.30	.6250-24 UNEF-2A
12	0.852	21.64	0.650	16.51	0.646	16.41	0.685	17.40	.6875-24 UNEF-2A
14	0.985	25.02	0.805	20.45	0.761	19.33	0.810	20.57	.9375-20 UNEF-2A

IN-LINE RECEPTACLE



SHELL SIZE	A DIA.		B THREAD	C DIA.	
	IN.	MM.		IN.	MM.
5	0.450	11.43	.2500-32 UNEF-2A	0.246	6.25
6	0.520	13.21	.3125-32 UNEF-2A	0.286	7.26
7	0.580	14.73	.4375-28 UNEF-2A	0.390	9.91
8	0.603	15.32	.5000-28 UNEF-2A	0.442	11.23
9	0.695	17.65	.5625-24 UNEF-2A	0.500	12.70
10	0.735	18.67	.6250-24 UNEF-2A	0.564	14.33
12	0.880	22.35	.6875-24 UNEF-2A	0.650	16.51
14	1.010	25.65	.9375-20 UNEF-2A	0.805	20.45

All dimensions in inches (millimeters in blue)