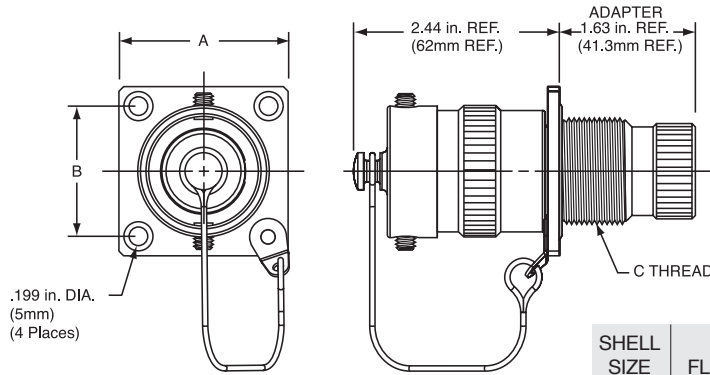


DIMENSIONS

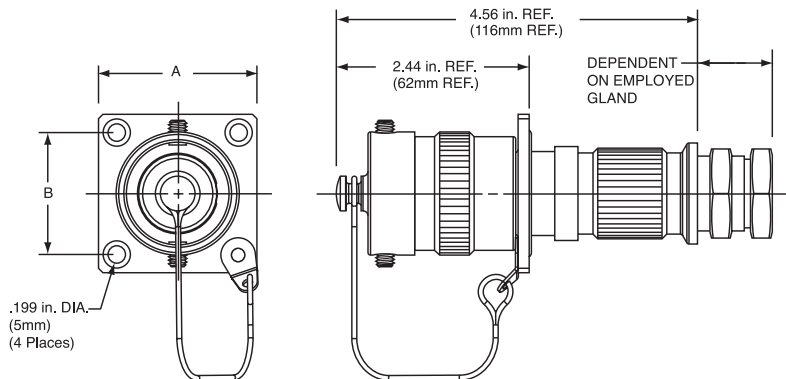
RECEPTACLE

EXM-A02 - BOX MOUNT RECEPTACLE



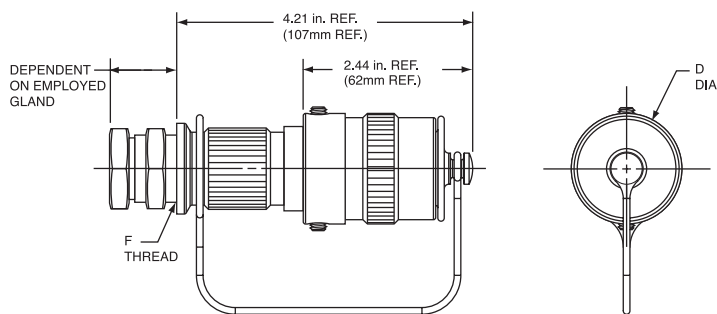
SHELL SIZE	A FLANGE DIM.	B MOUNTING DIM.	C-THREAD ADAPTER PG TYPE
9	1.772 (45.0)	1.299 (33.0)	(M25)
11	1.772 (45.0)	1.299 (33.0)	(M25)
13	2.008 (51.0)	1.535 (39.0)	(M32)
15	2.008 (51.0)	1.535 (39.0)	(M32)
17	2.126 (54.0)	1.693 (43.0)	(M40)
19	2.126 (54.0)	1.693 (43.0)	(M40)
21	2.126 (54.0)	1.693 (43.0)	(M40)

EXM-A01 - IN-LINE RECEPTACLE



SHELL SIZE	A FLANGE DIM.	B MOUNTING DIM.
9	1.772 (45.0)	1.299 (33.0)
11	1.772 (45.0)	1.299 (33.0)
13	2.008 (51.0)	1.535 (39.0)
15	2.008 (51.0)	1.535 (39.0)
17	2.126 (54.0)	1.693 (43.0)
19	2.126 (54.0)	1.693 (43.0)
21	2.126 (54.0)	1.693 (43.0)

EXM-A06 - STRAIGHT PLUG



SHELL SIZE	D DIAMETER ±0.625 (1.5875)	F CABLE GLAND ENTRY THREAD (METRIC)
9	1.3125 (33.3375)	M16X1.5mm
11	1.4375 (36.5125)	M16X1.5mm
13	1.5625 (39.6875)	M20X1.5mm
15	1.6875 (42.8625)	M25X1.5mm
17	1.8175 (46.0375)	M25X1.5mm
19	1.9375 (49.2125)	M32X1.5mm
21	2.0625 (52.3875)	M32X1.5mm

All dimensions in inches (millimeters in parenthesis)