

DIMENSIONS

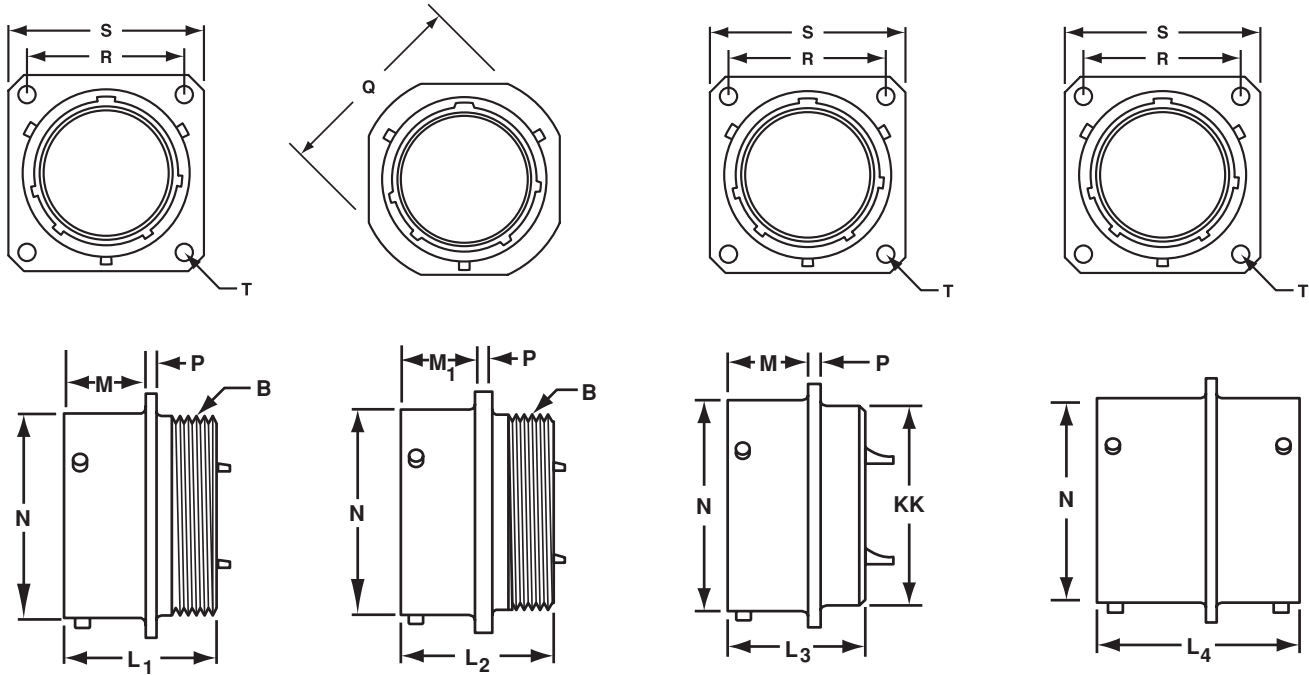
RECEPTACLE STYLES

PT00
PT03
MS3110
MS3120

PT01
PT04
MS3111
MS3121

PT02
MS3112
MS3122

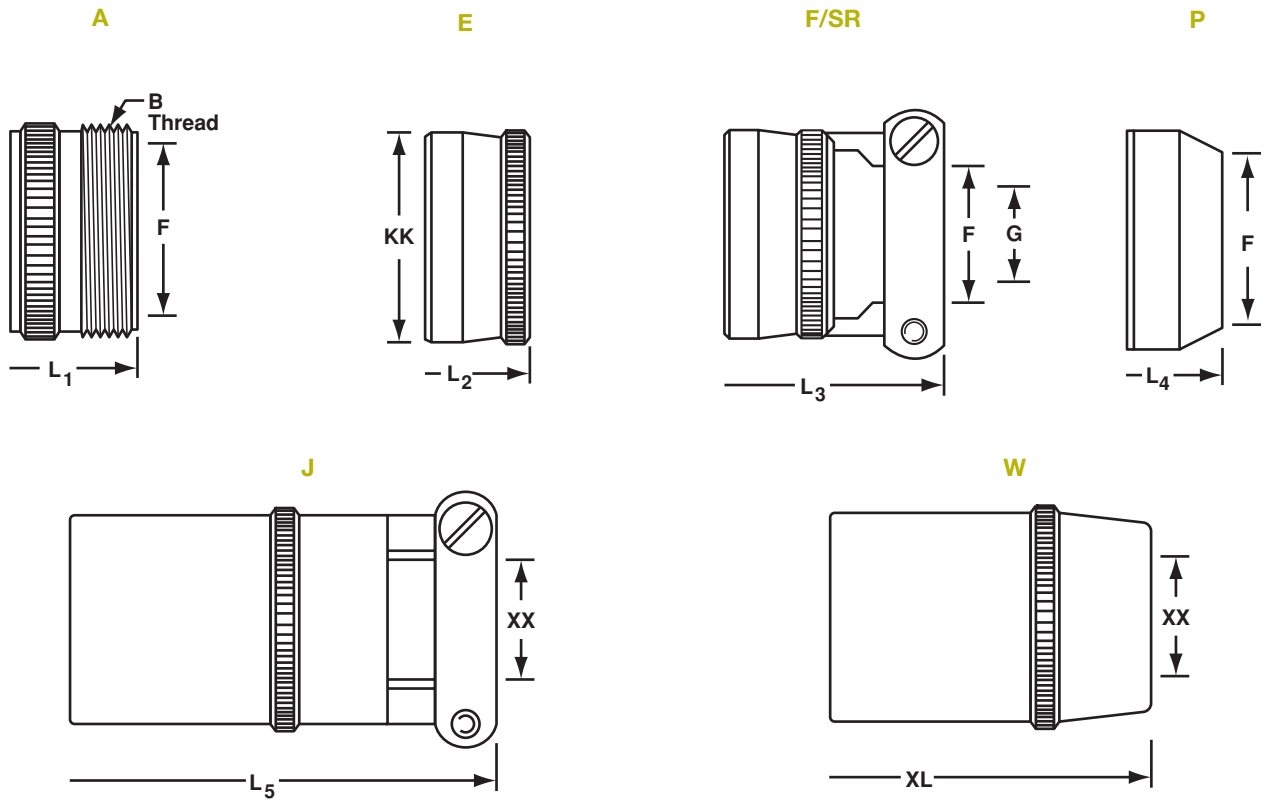
PTB



SHELL SIZE	PT00/PT02/PTB			PT01			PT00/PT02/PTB			PT00	PT02		PTB	PT00/PT01	
	M	N +0.01 -0.055	MS31_0 MS31_2 P	MS31_1 P	M1 MAX.	Q.	R	S	T	L1 MAX.	L3 MAX.	KK DIA. MAX.	L4 MAX.	L2 MAX.	B THREAD CLASS 2A
6	0.431 (10.9)	0.348 (8.8)	0.062 (1.6)	0.093 (2.4)	0.400 (10.1)	0.812 (20.6)	0.469 (11.9)	0.688 (17.5)	0.120 (3.0)	0.906 (23.0)	0.825 (21.0)	0.323 (8.2)	1.050 (26.7)	0.906 (23.0)	.3125-32 NEF
8	0.431 (10.9)	0.473 (12.0)	0.062 (1.6)	0.093 (2.4)	0.400 (10.1)	0.938 (23.8)	0.594 (15.1)	0.812 (20.6)	0.120 (3.0)	0.906 (23.0)	0.825 (21.0)	0.449 (11.4)	1.050 (26.7)	0.906 (23.0)	.4375-28 UNEF
10	0.431 (10.9)	0.590 (15.0)	0.062 (1.6)	0.093 (2.4)	0.400 (10.1)	1.062 (27.0)	0.719 (18.3)	0.938 (23.8)	0.120 (3.0)	0.906 (23.0)	0.825 (21.0)	0.573 (14.6)	1.050 (26.7)	0.906 (23.0)	.5625-24 NEF
12	0.431 (10.9)	0.750 (19.1)	0.062 (1.6)	0.093 (2.4)	0.400 (10.1)	1.156 (29.4)	0.812 (20.6)	1.031 (26.2)	0.120 (3.0)	0.906 (23.0)	0.825 (21.0)	0.699 (17.8)	1.050 (26.7)	0.906 (23.0)	.6875-24 NEF
14	0.431 (10.9)	0.875 (22.2)	0.062 (1.6)	0.093 (2.4)	0.400 (10.1)	1.250 (31.8)	0.906 (23.0)	1.125 (28.6)	0.120 (3.0)	0.906 (23.0)	0.825 (21.0)	0.823 (20.9)	1.050 (26.7)	0.906 (23.0)	.8125-20 UNEF
16	0.431 (10.9)	1.000 (25.4)	0.062 (1.6)	0.093 (2.4)	0.400 (10.1)	1.344 (34.1)	0.969 (24.6)	1.219 (31.0)	0.120 (3.0)	0.906 (23.0)	0.825 (21.0)	0.949 (24.1)	1.050 (26.7)	0.906 (23.0)	.9375-20 UNEF
18	0.431 (10.9)	1.125 (28.6)	0.062 (1.6)	0.093 (2.4)	0.400 (10.1)	1.438 (36.5)	1.062 (27.0)	1.312 (33.3)	0.120 (3.0)	0.906 (23.0)	0.825 (21.0)	1.073 (27.3)	1.050 (26.7)	0.906 (23.0)	1.0625-18 NEF
20	0.556 (14.1)	1.250 (31.8)	0.094 (2.4)	0.115 (2.9)	0.535 (13.6)	1.562 (39.7)	1.156 (29.4)	1.438 (36.5)	0.120 (3.0)	1.125 (28.6)	1.076 (27.3)	1.199 (30.5)	1.330 (33.8)	1.125 (28.6)	1.1875-18 NEF
22	0.556 (14.1)	1.375 (34.9)	0.094 (2.4)	0.115 (2.9)	0.535 (13.6)	1.688 (42.9)	1.250 (31.8)	1.562 (39.6)	0.120 (3.0)	1.125 (28.6)	1.076 (27.3)	1.323 (33.6)	1.330 (33.8)	1.125 (28.6)	1.3125-18 NEF
24	0.589 (14.9)	1.500 (38.1)	0.094 (2.4)	0.115 (2.9)	0.568 (14.4)	1.812 (46.0)	1.375 (34.9)	1.688 (42.9)	0.147 (3.7)	1.188 (30.2)	1.109 (28.2)	1.449 (36.8)	1.330 (33.8)	1.188 (30.2)	1.4375-18 NEF

All dimensions in inches (millimeters in parenthesis)

ENDBELL STYLES



SHELL SIZE	A ENDBELL			E ENDBELL		F/SR ENDBELL			P ENDBELL		W	J	W/J ENDBELL	
	F MAX.	L1	B THREAD CLASS 2A	L2	KK MAX.	F	G	L3 MAX.	F	L4 MAX.	XL	L5 MAX.	XX MIN.	XX MAX.
6	0.175 (4.4)	1.553 (39.4)	.3750-32 NEF	1.266 (32.2)	0.440 (11.2)	-	-	-	0.192 (4.9)	1.438 (36.5)	-	-	-	-
8	0.297 (7.5)	1.553 (39.4)	.5000-28 UNEF	1.266 (32.2)	0.560 (14.2)	0.240 (6.1)	0.125 (3.2)	1.922 (48.8)	0.317 (8.1)	1.438 (36.5)	1.705 (43.3)	2.271 (57.7)	0.168 (4.3)	0.230 (5.8)
10	0.421 (10.7)	1.553 (39.4)	.6250-24 NEF	1.266 (32.2)	0.685 (17.3)	0.302 (7.7)	0.188 (4.8)	1.922 (48.8)	0.434 (11.0)	1.438 (36.5)	1.705 (43.3)	2.271 (57.7)	0.205 (5.2)	0.312 (7.9)
12	0.546 (13.9)	1.553 (39.4)	.7500-20 UNEF	1.266 (32.2)	0.813 (20.7)	0.428 (10.9)	0.312 (7.9)	1.922 (48.8)	0.548 (13.9)	1.438 (36.5)	1.848 (46.9)	2.411 (61.2)	0.338 (8.6)	0.442 (11.2)
14	0.663 (16.8)	1.553 (39.4)	.8750-20 UNEF	1.266 (32.2)	0.930 (23.6)	0.552 (14.0)	0.375 (9.5)	1.922 (48.8)	0.673 (17.1)	1.438 (36.5)	2.040 (51.8)	2.599 (66.0)	0.416 (10.6)	0.539 (13.7)
16	0.787 (20.0)	1.553 (39.4)	1.0000-20 UNEF	1.266 (32.2)	1.057 (26.8)	0.615 (15.6)	0.500 (12.7)	2.047 (52.0)	0.798 (20.3)	1.438 (36.5)	2.256 (57.3)	2.943 (74.8)	0.550 (14.0)	0.616 (15.6)
18	0.879 (22.3)	1.553 (39.4)	1.1875-18 NEF	1.266 (32.2)	1.175 (29.8)	0.740 (18.8)	0.625 (15.9)	2.078 (52.8)	0.899 (22.8)	1.438 (36.5)	2.486 (63.1)	3.172 (80.6)	0.600 (15.2)	0.672 (17.1)
20	1.041 (26.4)	1.703 (43.3)	1.1875-18 NEF	1.516 (38.5)	1.301 (33.0)	0.740 (18.8)	0.625 (15.9)	2.344 (59.5)	1.024 (26.0)	1.656 (42.1)	2.922 (74.2)	3.610 (91.7)	0.635 (16.1)	0.747 (19.0)
22	1.135 (28.8)	1.703 (43.3)	1.4375-18 NEF	1.516 (38.5)	1.430 (36.3)	0.928 (23.6)	0.750 (19.1)	2.344 (59.5)	1.149 (29.2)	1.656 (42.1)	3.086 (78.4)	3.766 (95.7)	0.670 (17.0)	0.846 (21.5)
24	1.259 (32.0)	1.765 (44.8)	1.4375-18 NEF	1.578 (40.1)	1.555 (39.5)	0.990 (25.1)	0.800 (20.3)	2.406 (61.1)	1.274 (32.4)	1.717 (43.6)	3.310 (84.1)	3.985 (101.2)	0.740 (18.8)	0.894 (22.7)

All dimensions in inches (millimeters in parenthesis)