

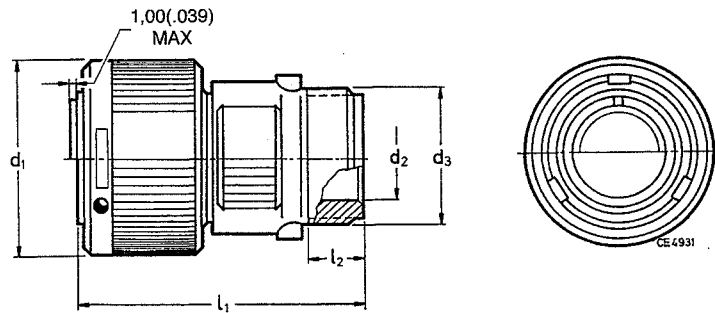
Straight Plug

VG95234 Style H

CA3106-F-B designates a straight plug for flex tube

CA3106-B and Modifications

Modifications see page 10



Dimensions in mm

VG95234 Part No.	Cannon Part No.	$d_s$ - Thread	$d_1$ max	$d_2$ <sup>2)</sup>	$l_1$ max	$l_2$ min	Weight <sup>1)</sup> g max
VG95234H-10SL-*	CA3106F10SL-**-***	5/8-24NEF-2A	22,80	8,20	50,00	9,50	21
-	CA3106F12S-**-***	5/8-24NEF-2A	26,00	8,20	50,00	9,50	29
VG95234H-14S-*	CA3106F14S-**-***	3/4-20UNEF-2A	29,20	11,10	50,00	9,50	33
VG95234H-16S-*	CA3106F16S-**-***	7/8-20UNEF-2A	32,00	14,30	50,00	9,50	42
VG95234H-16-*	CA3106F16-**-***	7/8-20UNEF-2A	32,00	14,30	60,00	9,50	51
VG95234H-18-*	CA3106F18-**-***	1-20UNEF-2A	36,50	16,70	60,00	9,50	59
VG95234H-20-*	CA3106F20-**-***	1-3/16-18UNEF-2A	39,90	19,80	60,00	9,50	59
VG96234H-22-*	CA3106F22-**-***	1-3/16-18NEF-2A	43,10	19,80	60,00	9,50	62
VG95234H-24-*	CA3106F24-**-***	1-7/16-18NEF-2A	46,60	25,40	65,00	9,50	84
VG95234H-28-*	CA3106F28-**-***	1-7/16NEF-2A	53,40	27,00	65,00	9,50	100
VG95234H-32-*	CA3106F32-**-***	1-3/4-18NS-2A	60,10	32,50	65,00	11,00	116
VG95234H-36-*	CA3106F36-**-***	2-18NS-2A	66,30	35,70	80,00	11,80	142

Dimensions in inches

VG95234 Part No.	Cannon Part No.	$d_s$ - Thread	$d_1$ max	$d_2$ <sup>2)</sup>	$l_1$ max	$l_2$ min	Weight <sup>1)</sup> g max
VG95234H-10SL-*	CA3106F10SL-**-***	5/8-24NEF-2A	.898	.323	1.969	.374	21
-	CA3106F12S-**-***	5/8-24NEF-2A	1.024	.323	1.969	.374	29
VG95234H-14S-*	CA3106F14S-**-***	3/4-20UNEF-2A	1.150	.437	1.969	.374	33
VG95234H-16S-*	CA3106F16S-**-***	7/8-20UNEF-2A	1.260	.563	1.969	.374	42
VG95234H-16-*	CA3106F16-**-***	7/8-20UNEF-2A	1.260	.563	2.362	.374	51
VG95234H-18-*	CA3106F18-**-***	1-20UNEF-2A	1.437	.657	2.362	.374	59
VG95234H-20-*	CA3106F20-**-***	1-3/16-18UNEF-2A	1.571	.780	2.362	.374	59
VG96234H-22-*	CA3106F22-**-***	1-3/16-18NEF-2A	1.697	.780	2.362	.374	62
VG95234H-24-*	CA3106F24-**-***	1-7/16-18NEF-2A	1.835	1.000	2.559	.374	84
VG95234H-28-*	CA3106F28-**-***	1-7/16NEF-2A	2.102	1.063	2.559	.374	100
VG95234H-32-*	CA3106F32-**-***	1-3/4-18NS-2A	2.366	1.280	2.559	.433	116
VG95234H-36-*	CA3106F36-**-***	2-18NS-2A	2.610	1.406	3.150	.465	142

<sup>1)</sup> Weight without insulator, grommets and contacts.

<sup>2)</sup> For max. cable entry.