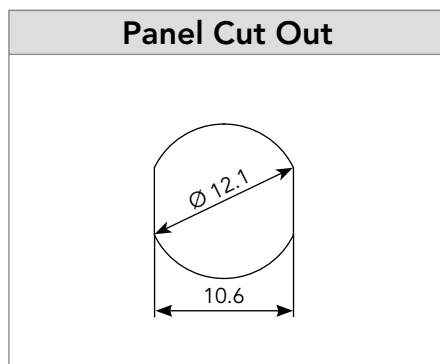
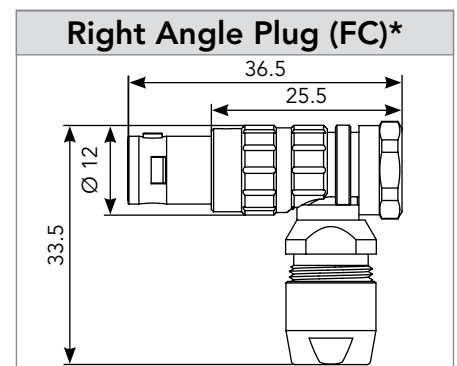
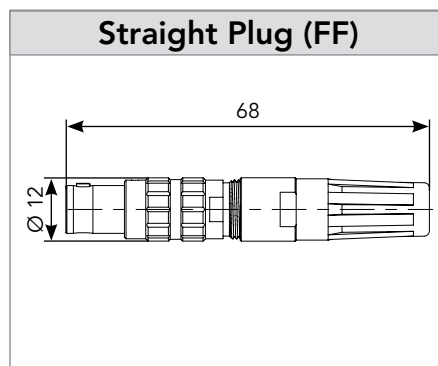
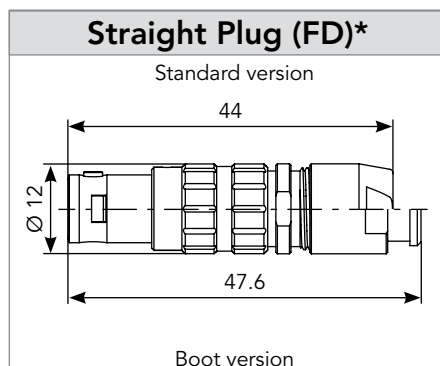
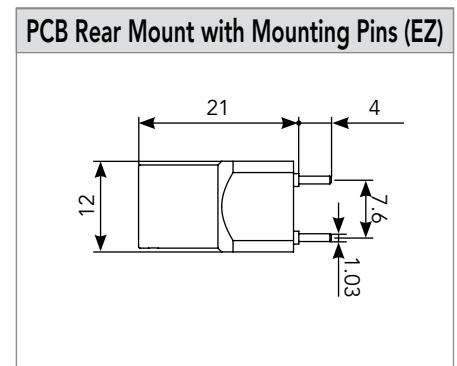
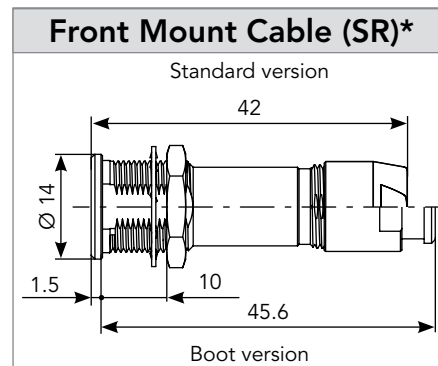
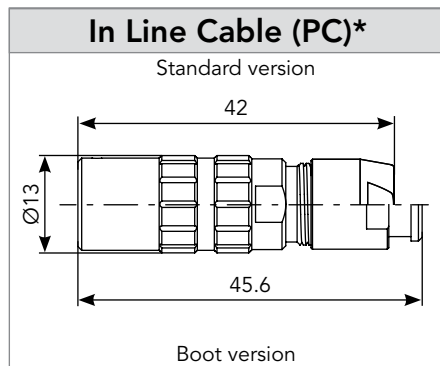
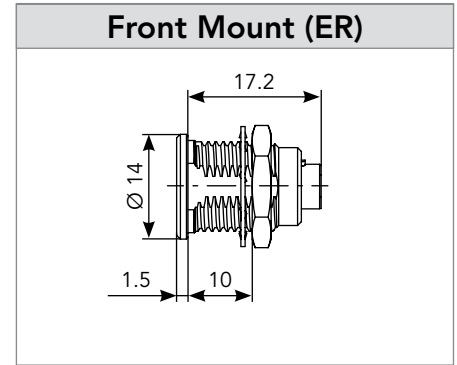
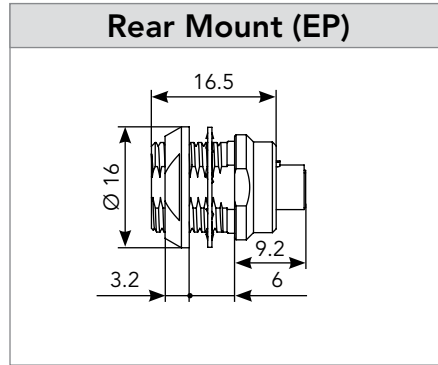
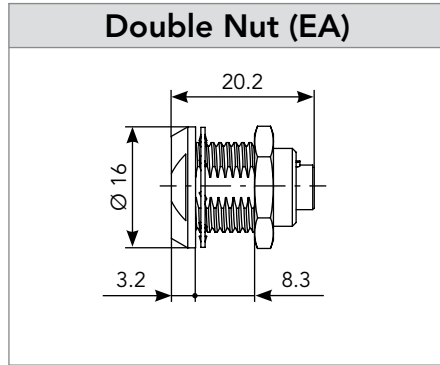


**JBX1-05 - IP40** (5 x Ø 0.9 mm)

**Dimensions** (For mated connector lengths see page 89)



Note: all dimensions are in mm