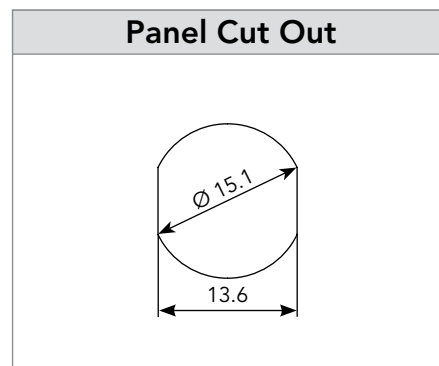
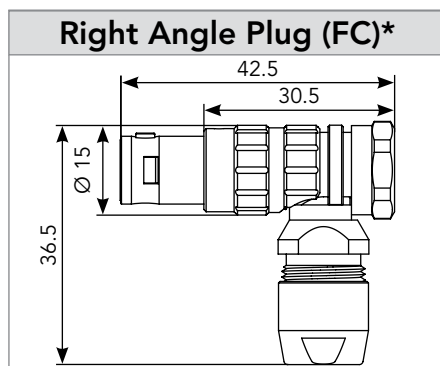
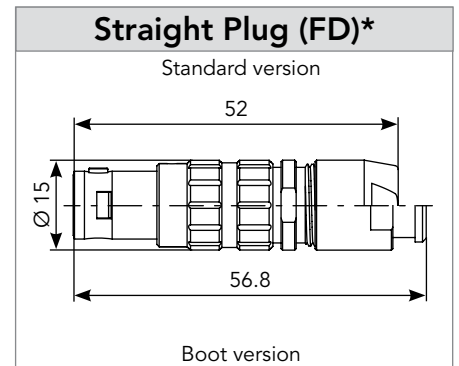
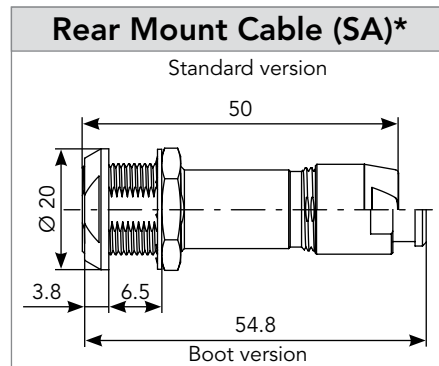
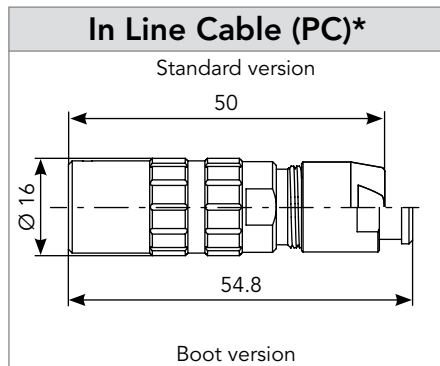
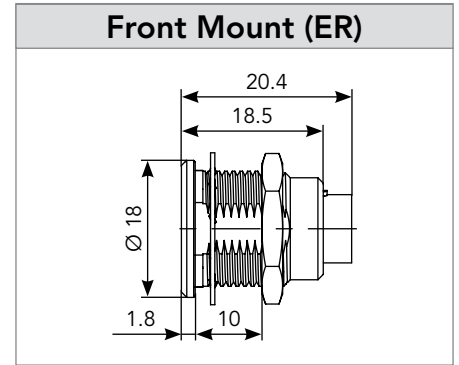
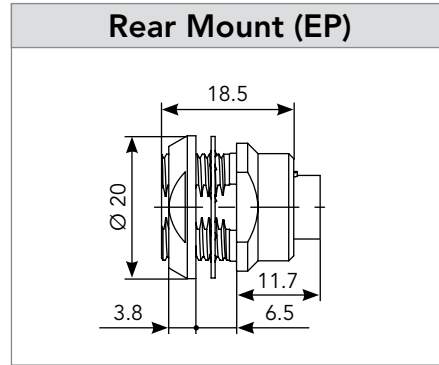
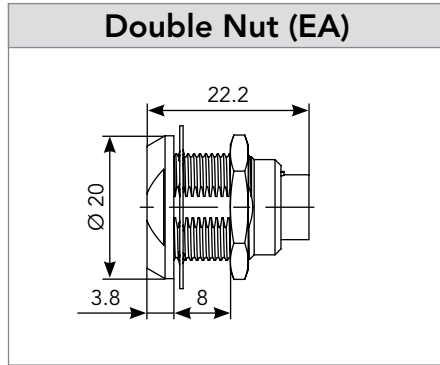


**JBX2-10 - IP40** (10 x Ø 0.9 mm) - See waterproof IP68 version page 170

**Dimensions** (For mated connector lengths see page 173)



Note: all dimensions are in mm

**JBX2-10 - IP68** (10 x Ø 0.9 mm) - See non sealed IP40 version page 168

**Dimensions** (For mated connector lengths see page 173)

