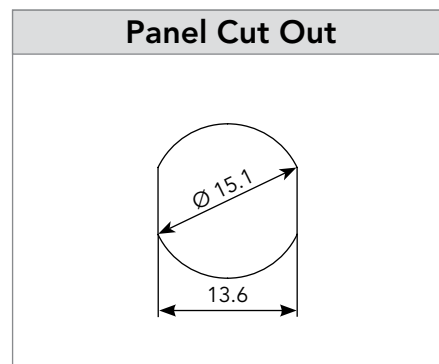
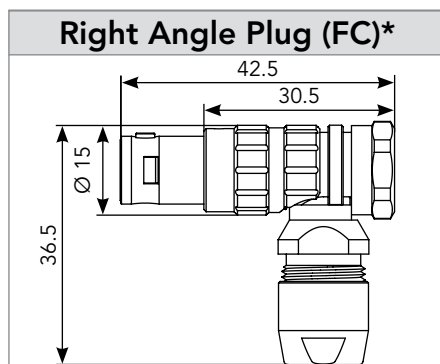
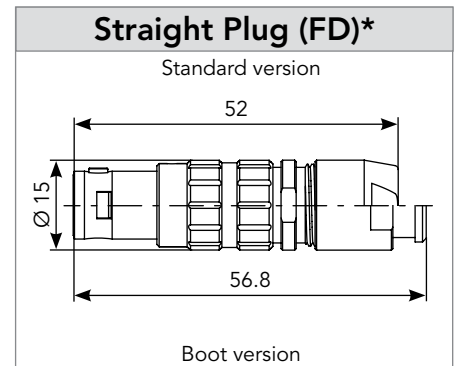
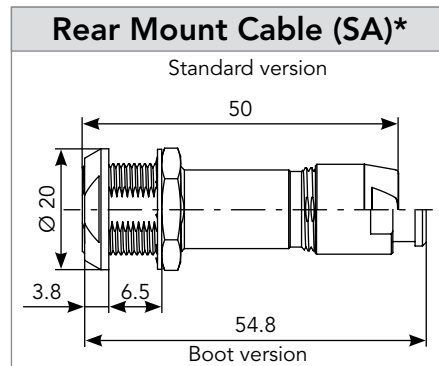
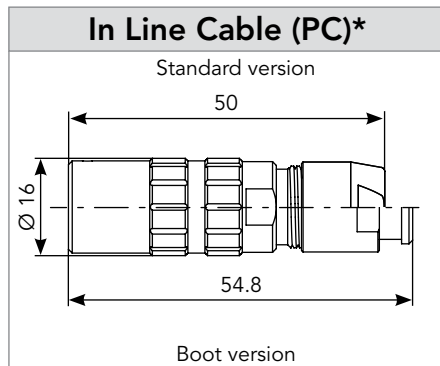
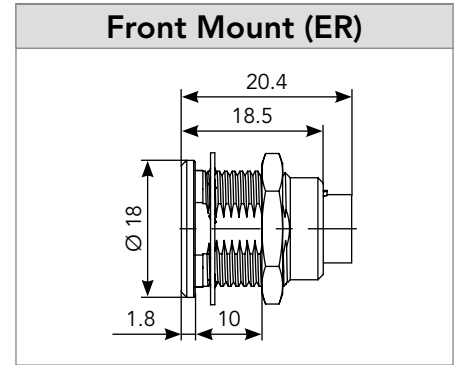
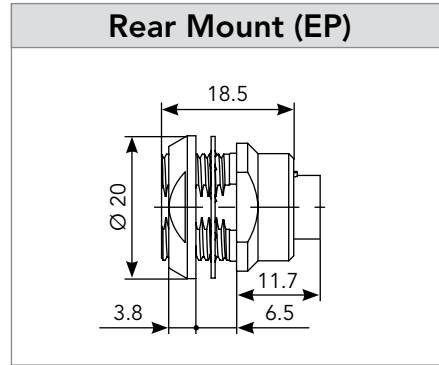
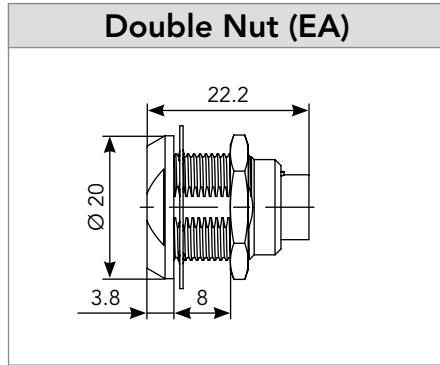


JBX2-16 - IP40 (16 x Ø 0.7 mm) - See waterproof IP68 version page 200

Dimensions (For mated connector lengths see page 203)



Note: all dimensions are in mm

JBX2-16 - IP68 (16 x Ø 0.7 mm) - See non sealed IP40 version page 198

Dimensions (For mated connector lengths see page 203)

