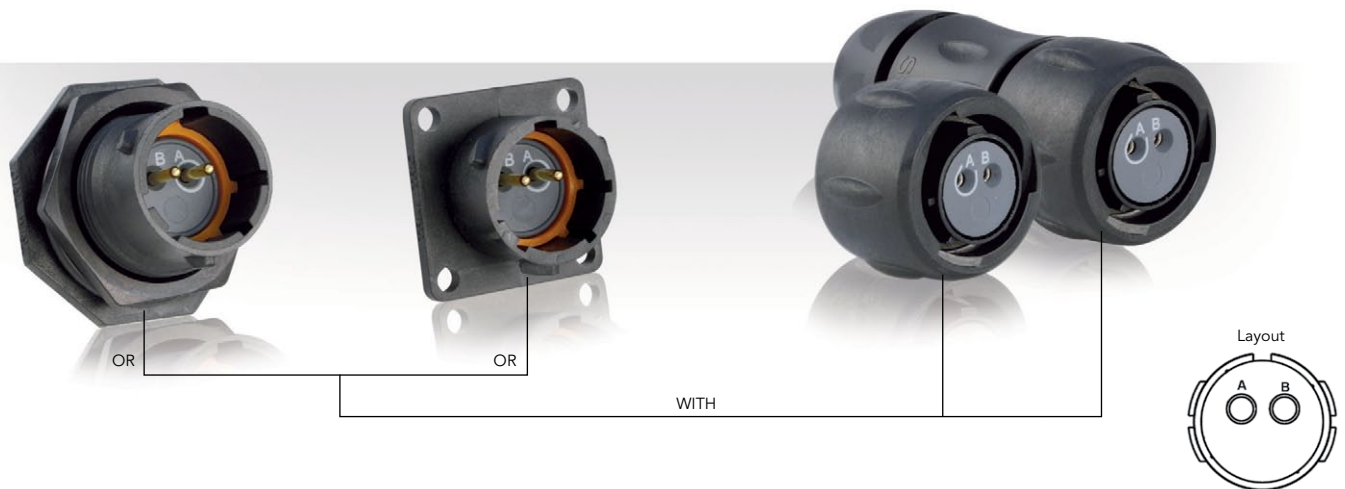


12E2/12D2 (Shell size 12, 2x#16)



Connector Part Numbers

Contact type	Connector type	Backshell	Part number	
			Male insert	Female insert
Hand solder electrical contacts loaded see page 27	Square flange receptacle	Without (Fig. 1)	UTS012E2P	UTS012E2S
	Plug	Without (Fig. 6)	UTS612E2P	UTS612E2S
		Cable gland (Fig. 7)	UTS6JC12E2P	UTS6JC12E2S
	Jam nut receptacle	Without (Fig. 3)	UTS712E2P	UTS712E2S
PCB contacts loaded see page 27	Square flange receptacle	Without (Fig. 2)	UTS012D2P	UTS012D2S
	Jam nut receptacle with stand off and with hold down clips	Without (Fig. 5)	UTS712D2P32	UTS712D2S32
	Jam nut receptacle with stand off and without hold down clips	Without (Fig. 4)	UTS712D2P	UTS712D2S

Sealed unmated

12E2/12D2 (Shell size 12, 2x#16)

Dimensions

Square Flange Receptacle - UTS0

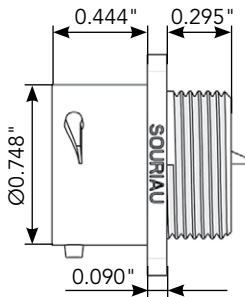


Fig. 1

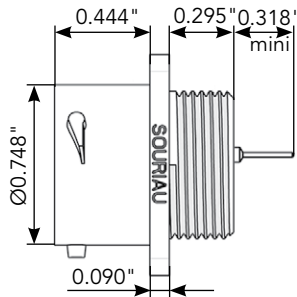
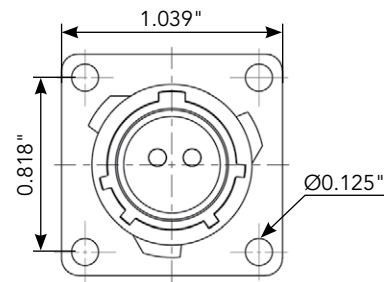


Fig. 2



Front view

Jam Nut Receptacle - UTS7

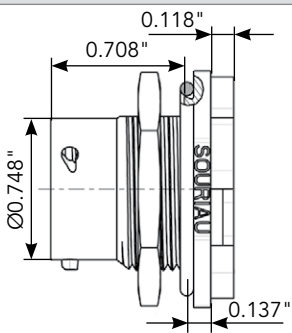


Fig. 3

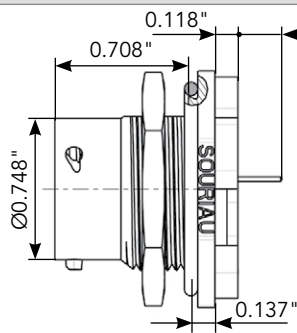


Fig. 4

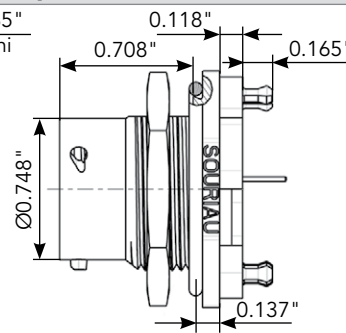
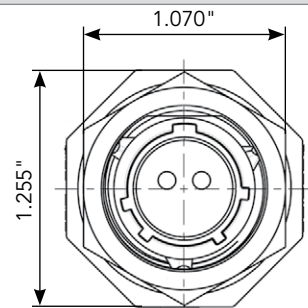


Fig. 5



Front view

Plug - UTS6

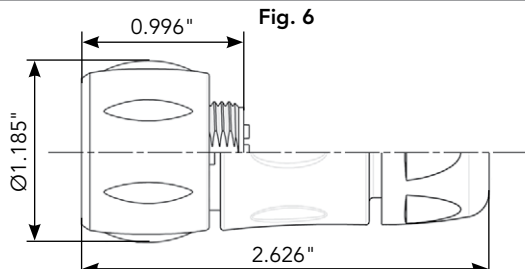


Fig. 6

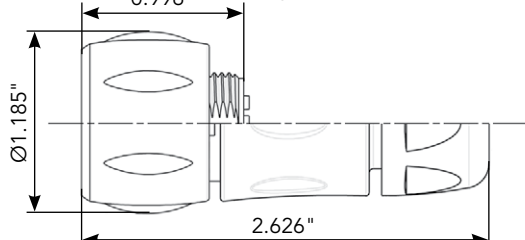
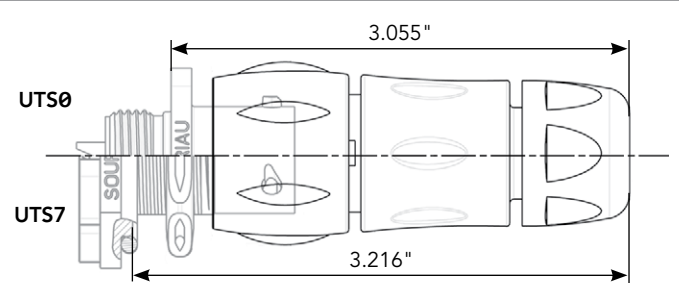


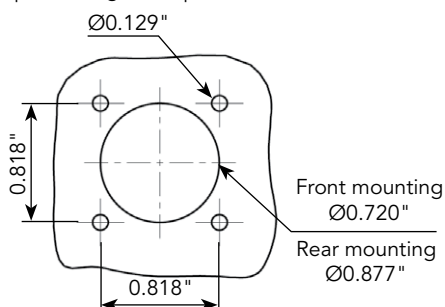
Fig. 7

Mated Connector Lengths

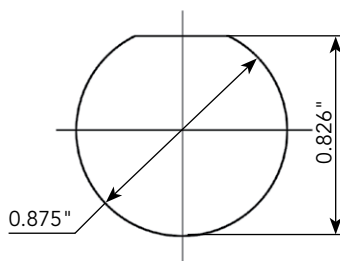


Panel Cut Out

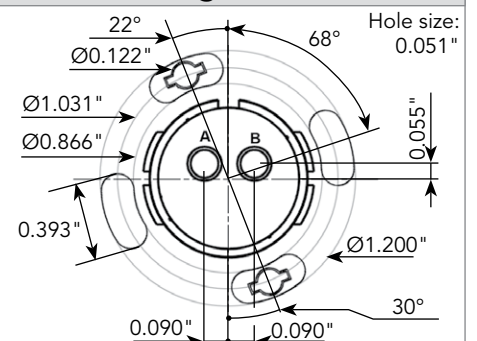
Square Flange Receptacle - UTS0



Jam Nut Receptacle - UTS7



Drilling Pattern



Note: all dimensions are in inches

12E2/12D2 (Shell size 12, 2x#16)

Accessories

Jam Nut Sealing Caps



IP68/69K

Part number	
UTS12DCG	



IP68/69K Metal terminal

Part number	
UTS12DCGR	

Plug Sealing Cap



IP68/69K

Part number	
UTS612DCG	

Square Flange Sealing Cap



IP68/69K Metal terminal


Part number	
UTS12DCGE	

Plastic Protective Cap



Part numbers	
Receptacle cap	Plug cap
85005587A	85005596


Gasket





IP68/69K

Part numbers	
UTFD13B	

Color Coding Rings

G for Green 

Y for Yellow 

R for Red 

Part numbers	
Receptacles	Plugs
UTS712CCRR	UTS612CCRR
UTS712CCRY	UTS612CCRY
UTS712CCRG	UTS612CCRG

12E2/12D2 (Shell size 12, 2x#16)

Contacts

#16	Contact type	Plating	Cable acceptance (AWG)	Wire stripping length
Hand solder	Loaded in the connector	Min 0.4μ gold over 0.8μ Ni	18 to 14	0.196"
PCB	Machined, loaded in the connector ⁽¹⁾	Min 0.4μ gold over 0.8μ Ni	-	-

(1): For dimensions see page 169

Electrical Characteristics

UL
13A 650V UL94 HB

CSA
13A 600V UL94 HB

IEC
16A 150V 2.5kV 3

