

1823 (Shell size 18, 23x#16)



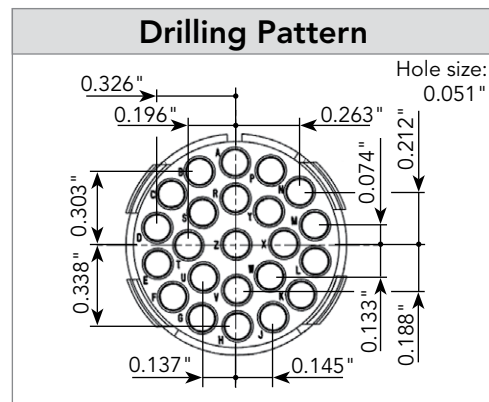
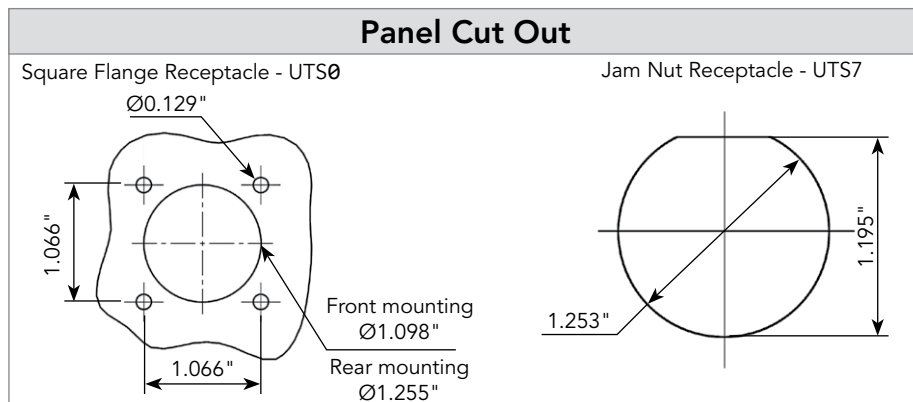
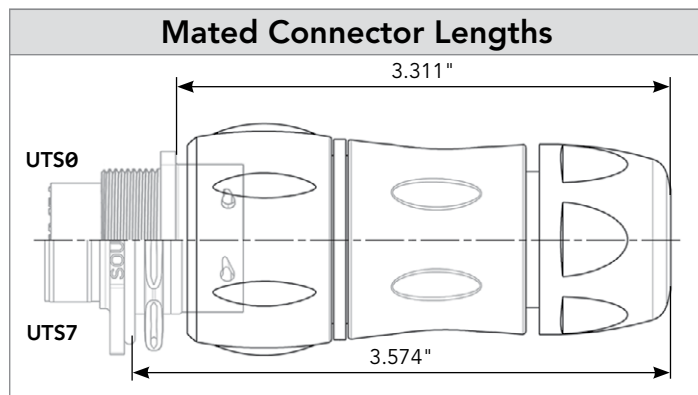
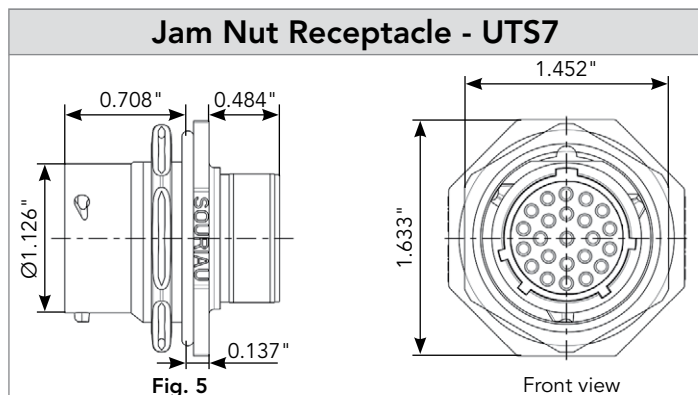
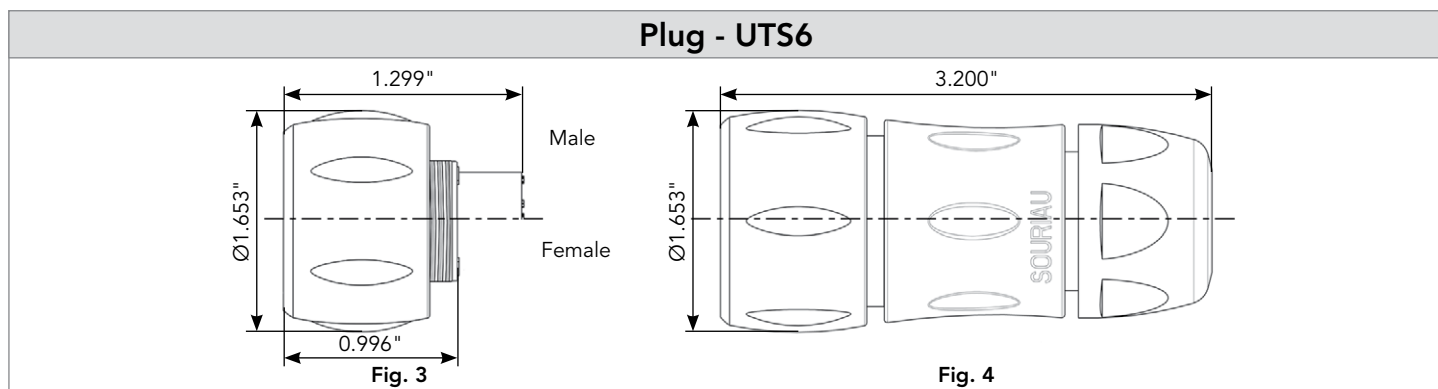
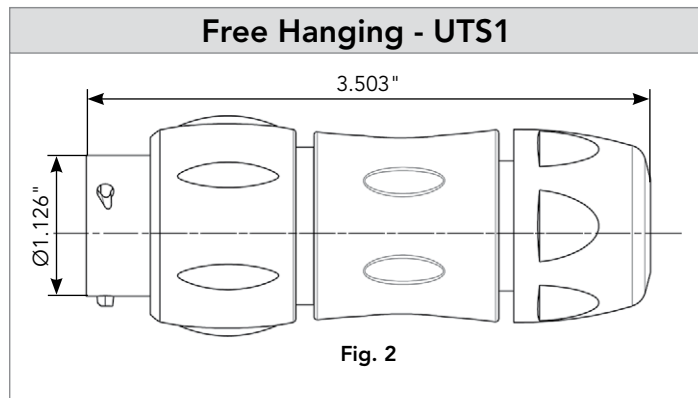
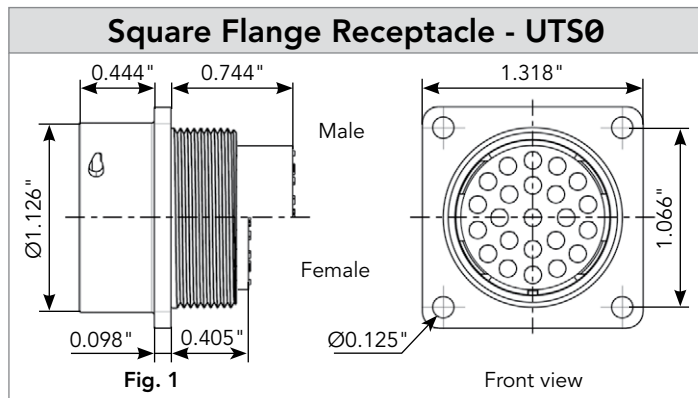
Connector Part Numbers

Contact type	Connector type	Backshell	Part number	
			Male insert	Female insert
Crimp contacts supplied separately see page 147	Square flange receptacle	Without (Fig. 1)	UTS01823P	UTS01823S
	Free hanging receptacle	Cable gland (Fig. 2)	UTS1JC1823P	UTS1JC1823S
	Plug	Without (Fig. 3)	UTS61823P	UTS61823S
	Plug	Cable gland (Fig. 4)	UTS6JC1823P	UTS6JC1823S
	Jam nut receptacle	Without (Fig. 5)	UTS71823P	UTS71823S
PCB contacts supplied separately see page 147	Square flange receptacle	Without (Fig. 1)	UTS01823P	UTS01823S
	Jam nut receptacle	Without (Fig. 5)	UTS71823P	UTS71823S

Possibilities of discrimination/keying methods see page 208

1823 (Shell size 18, 23x#16)

Dimensions



Note: all dimensions are in inches

1823 (Shell size 18, 23x#16)

Accessories and Tooling

Jam Nut Sealing Caps



IP68/69K

Part number
UTS18DCG



IP68/69K Metal terminal


Part number
UTS18DCGR

Handle (without Head)



Part number
SHANDLES

Tool Kit



Part number
TOOLKIT

Plug Sealing Cap



IP68/69K

Part number
UTS618DCG


Square Flange Sealing Cap



IP68/69K Metal terminal

Part number
UTS18DCGE

Crimp Tooling (without Shandles)



Contacts	Contact size	Part number of head
RM/RC 28M1K ⁽¹⁾	Standard contacts #16 Ø 1.6 mm	S16RCM20*
RM/RC 24M9K ⁽¹⁾		S16RCM20*
RM/RC 20M13K ⁽¹⁾		S16RCM20*
RM/RC 20M12K ⁽¹⁾		S16RCM20*
RM/RC 16M23K ⁽¹⁾		S16RCM16*
RM/RC 14M30K ⁽¹⁾		S16RCM14*
SM/SC 24ML1TK6 ⁽¹⁾		S16SCM20*
SM/SC 20ML1TK6 ⁽¹⁾		S16SCM20*
SM/SC 16ML1TK6 ⁽¹⁾		S16SCML1*
SM/SC 14ML1TK6 ⁽¹⁾		S16SCML1*
SM/SC 16ML11TK6 ⁽¹⁾		S16SCML11*
RMDXK10D28K	Coaxial contacts	M10S1J with die set & stop bushing see page 202 to 205
RCDXK1D28K		
RM/RC DX60xxD28K		
RM/RC DXK10D28 + yorK090		
RM/RC DX60xxD28		


(1): Example of plating, for other plating options see page 164
* Heads to be used with handle PN: SHANDLES

Plastic Protective Cap



Part numbers	
Receptacle cap	Plug cap
85005590A	85005599


Gasket





IP68/69K

Part numbers
UTFD16B

Color Coding Rings

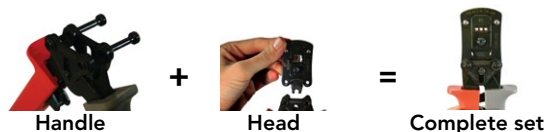
G for Green 

Y for Yellow 

R for Red 

Part numbers	
Receptacles	Plugs
UTS718CCRR	UTS618CCRR
UTS718CCRY	UTS618CCRY
UTS718CCRG	UTS618CCRG

Extraction tool #16 (RX2025GE1) see page 179. Dummy contact (SMSPKE0) see page 208.



1823 (Shell size 18, 23x#16)

Contacts

#16	Contact type	Wire size		Part number		Max wire Ø	Max insulator Ø
		AWG	mm ²	Male	Female		
Crimp	Machined	30-28	0.50-0.08	RM28M1K ⁽¹⁾	RC28M1K ⁽¹⁾	0.021"	0.039"
		26-24	0.13-0.20	RM24M9K ⁽¹⁾	RC24M9K ⁽¹⁾	0.031"	0.062"
		22-20	0.32-0.52	RM20M13K ⁽¹⁾	RC20M13K ⁽¹⁾	0.045"	0.070"
		22-20	0.32-0.52	RM20M12K ⁽¹⁾	RC20M12K ⁽¹⁾	0.045"	0.086"
		20-16	0.52-1.31	RM16M23K ⁽¹⁾	RC16M23K ⁽¹⁾	0.070"	0.125"
		16-14	1.31-2.08	RM14M30K ⁽¹⁾	RC14M30K ⁽¹⁾	0.090"	0.125"
	Stamped & Formed reeled contacts See note (2) for loose piece	26-24	0.13-0.20	SM24M1TK6 ⁽¹⁾⁽²⁾	SC24M1TK6 ⁽¹⁾⁽²⁾	-	0.035"-0.062"
		22-20	0.32-0.52	SM20M1TK6 ⁽¹⁾⁽²⁾	SC20M1TK6 ⁽¹⁾⁽²⁾	-	0.047"-0.082"
		18-16	0.80-1.31	SM16M1TK6 ⁽¹⁾⁽²⁾	SC16M1TK6 ⁽¹⁾⁽²⁾	-	0.125"
		18-16	0.80-1.31	SM16M11TK6 ⁽¹⁾⁽²⁾	SC16M11TK6 ⁽¹⁾⁽²⁾	-	0.118"
14		2.08	SM14M1TK6 ⁽¹⁾⁽²⁾	SC14M1TK6 ⁽¹⁾⁽²⁾	-	0.125"	
PCB	Machined ⁽³⁾	-	-	RM20M12E83K ⁽¹⁾	RC20M12E84K ⁽¹⁾	-	-
Coaxial	Cable Multipiece	see pages 167, 200 to 206	RMDXK10D28	RCDXK1D28	-	-	
	Cable Monocrimp		RMDX60xxD28	RCDX60xxD28	-	-	
	Twisted pair Multipiece		RMDXK10D28 + york090	RCDXK1D28 + york090	-	-	
	Twisted pair Monocrimp		RMDX60xxD28	RCDX60xxD28	-	-	
Fiber optic	POF contacts (Plastic Optical Fiber)	see page 170	RMPOF1000	RCPOF1000B	-	-	

(1): Example of plating, for other plating see page 164
 (2): For loose piece contact packaging, place "L" in part number. Example: SM20WL3TK6
 (3): For dimensions see page 172

Note: all dimensions are in inches

Electrical Characteristics
<p>UL 10A 500V UL94 V-0</p> <p>CSA 7A 500V UL94 V-0</p> <p>IEC 9A 63V 1.5kV 3</p>

