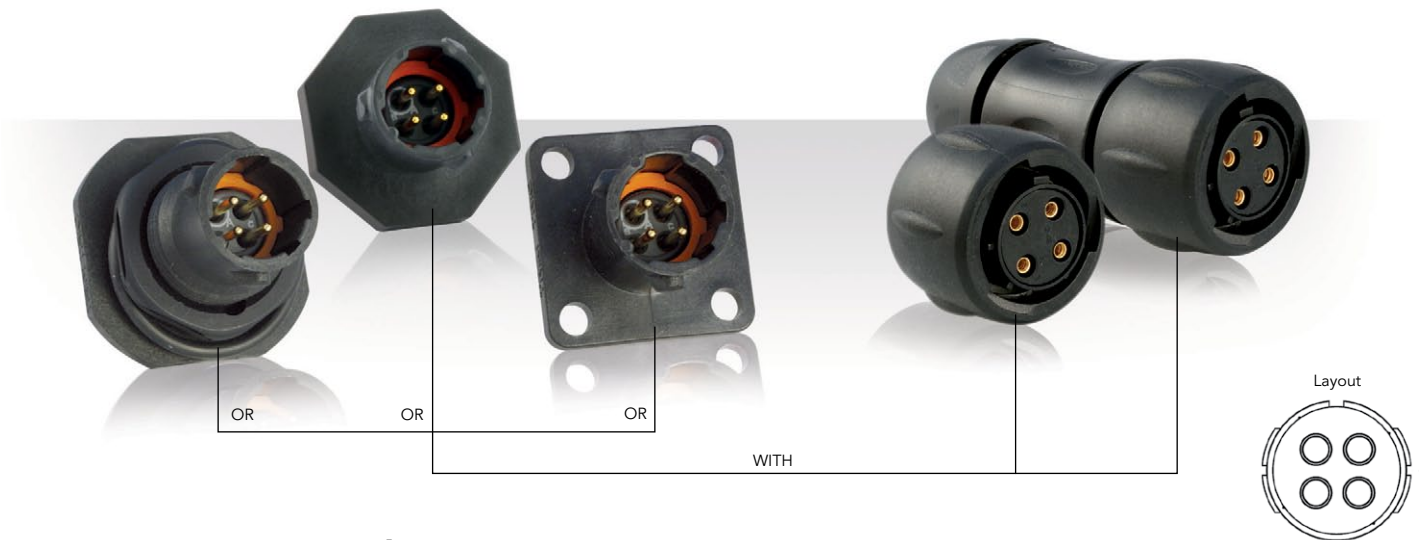


8E4/8D4 (Shell size 8, 4x#20)



Connector Part Numbers

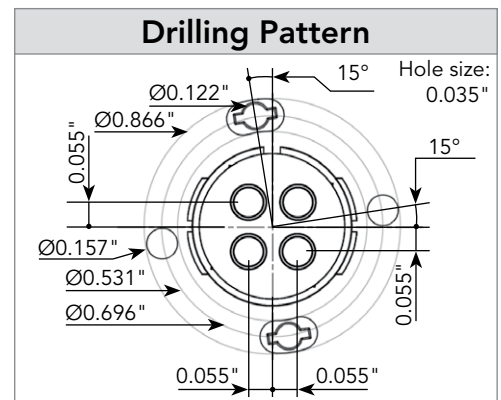
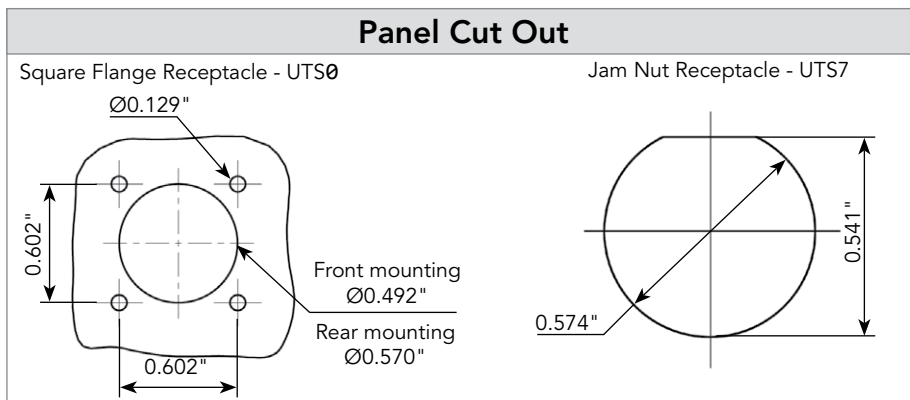
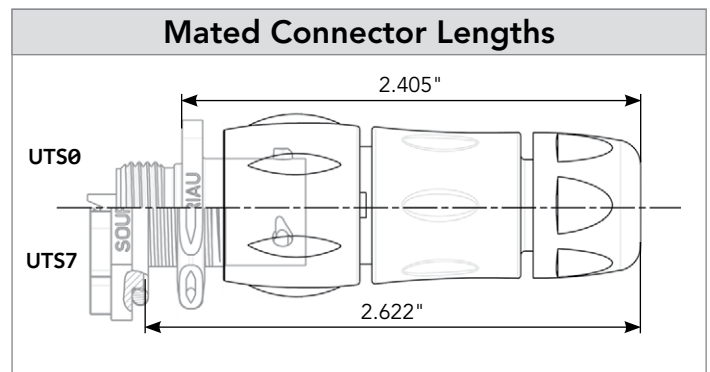
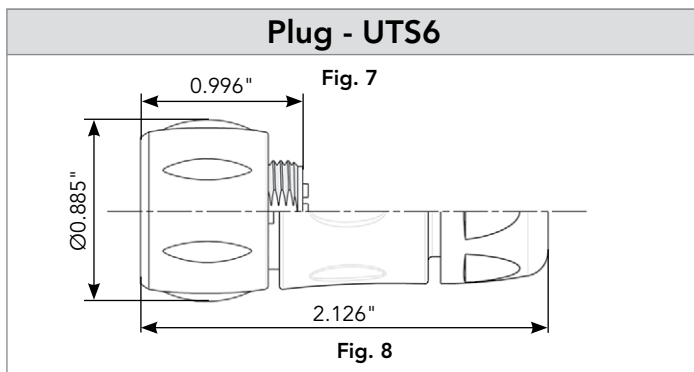
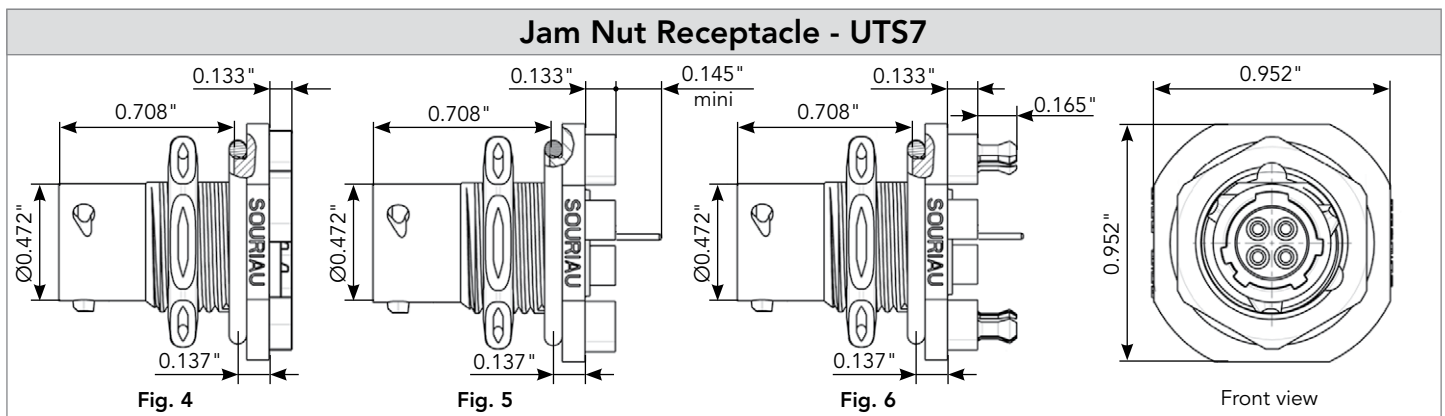
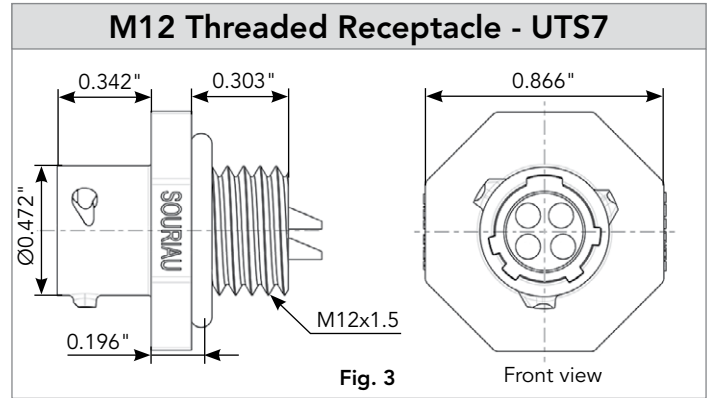
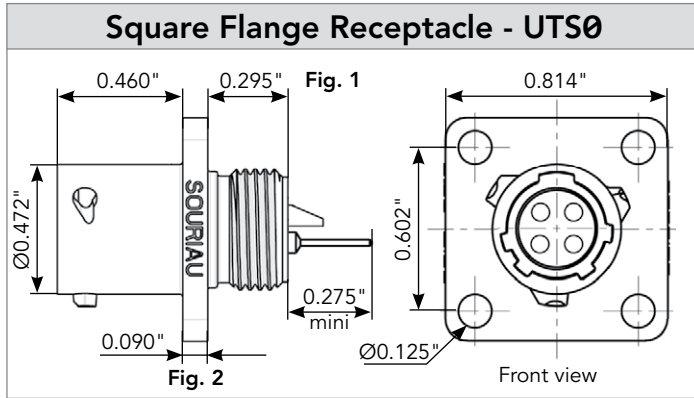
Contact type	Connector type	Backshell	Part number	
			Male insert	Female insert
Hand solder electrical contacts loaded see page 63	Square flange receptacle	Without (Fig. 1)	UTS08E4P	UTS08E4S
	Plug	Without (Fig. 7)	UTS68E4P	UTS68E4S
		Cable gland (Fig. 8)	UTS6JC8E4P	UTS6JC8E4S
	Jam nut receptacle	Without (Fig. 4)	UTS78E4P	UTS78E4S
	M12 threaded receptacle	Without (Fig. 3)	UTS78E4PM12	UTS78E4SM12
PCB contacts loaded see page 63	Square flange receptacle	Without (Fig. 2)	UTS08D4P	UTS08D4S
	Jam nut receptacle with stand off and with hold down clips	Without (Fig. 6)	UTS78D4P32	UTS78D4S32
	Jam nut receptacle with stand off and without hold down clips	Without (Fig. 5)	UTS78D4P	UTS78D4S

Possibilities of discrimination/keying methods see page 208

Sealed unmated

8E4/8D4 (Shell size 8, 4x#20)

Dimensions



Note: all dimensions are in inches

8E4/8D4 (Shell size 8, 4x#20)

Accessories

Jam Nut or M12 Threaded Receptacle Sealing Caps



IP68/69K

Part number

UTS8DCG



IP68/69K

Metal terminal

Part number

UTS8DCGR

Square Flange Sealing Cap



IP68/69K

Metal terminal

Part number

UTS8DCGE

Plug Protective Cap



IP40

Part number

UTS68C

Plastic Protective Cap



Part numbers

Receptacle cap

Plug cap

85005585A

85005594

Gasket



IP68/69K

Part numbers

UTFD11B

Color Coding Rings

G for Green



Y for Yellow



R for Red

Part numbers

Receptacles

Plugs

UTS78CCRR

UTS68CCRR

UTS78CCRY

UTS68CCRY

UTS78CCRG

UTS68CCRG

8E4/8D4 (Shell size 8, 4x#20)

Contacts

#20	Contact type	Plating	Cable acceptance (AWG)	Wire stripping length
Hand solder	Loaded in the connector	Min 0.4μ gold over 0.8μ Ni	22 to 18	0.196"
PCB	Machined, loaded in the connector ⁽¹⁾	Min 0.4μ gold over 0.8μ Ni	-	-

(1): For dimensions see page 169

Electrical Characteristics
<p>UL 7A 250V UL94 HB</p> <p>CSA 7A 250V UL94 HB</p> <p>IEC 7A 32V 1.5kV 3</p>

