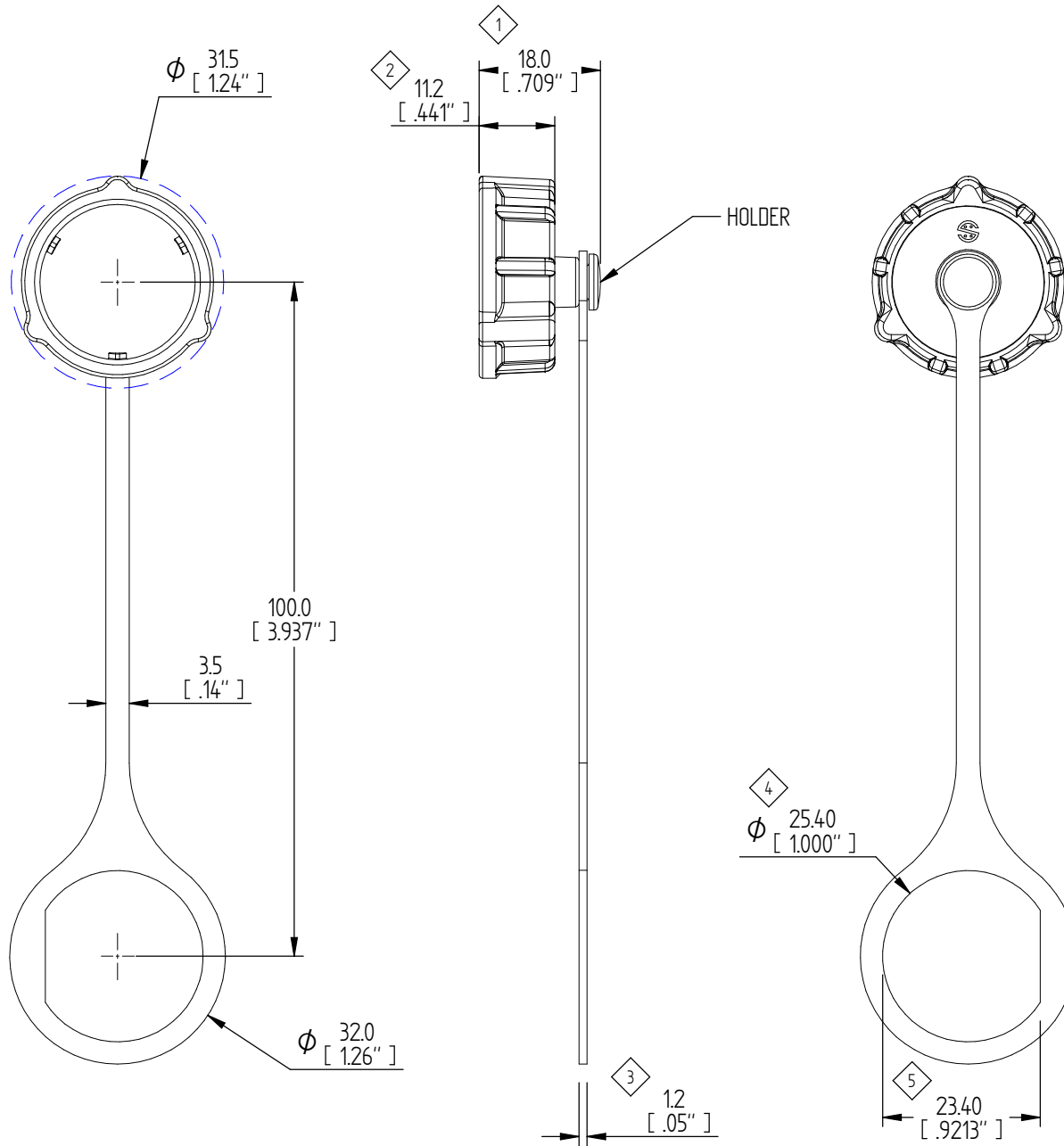


| REVISIONS | | | | | | |
|-----------|------|------|-----------------|------|------|----------|
| REV | ZONE | ECO# | DESCRIPTION | DRAW | APPD | DATE |
| - | | | INITIAL RELEASE | KC | PK | 11/11/16 |
| A | | | ADDED RoHS NOTE | KC | PK | 2/15/17 |



NOTES:

- MATERIAL: CAP: NYLON, BLACK.
HOLDER: NYLON, BLACK.
GASKET: EPDM, BLACK.
CHAIN: EPDM, BLACK.
- ITEMS IDENTIFIED WITH DIAMOND (◊...◊) MUST BE INSPECTED.
- REFERENCE PACKAGING SPECIFICATIONS PER DOC# PKG-001
- RoHS COMPLIANT.

NOTE: CAD GENERATED DRAWING DO NOT UPDATE MANUALLY.

| | | | | | |
|--------------------------------------------------|--|-----------|--|----------------|--|
| PART NUMBER | | IPCAP-3PT | | REV A | |
| TITLE | | | | DRAWN | |
| SEALING CAP, BAYONET | | | | KCHOD | |
| UNLESS OTHERWISE SPECIFIED, DIMENSIONS ARE IN MM | | | | DATE | |
| TOLERANCE EXCEPT AS NOTED: | | | | 11/11/2016 | |
| DECIMAL X ±0.25 XX ±0.1 XXX ±0.05 ANGLES ±P | | | | ENGINEER | |
| IMPERIAL DIMENSIONS ARE FOR REFERENCE ONLY | | | | D.KAPLACHINSKI | |
| THIRD ANGLE PROJECTION | | | | DATE | |
| | | | | 11/11/2016 | |
| | | | | APPROVED BY | |
| | | | | P.KIM | |
| DATE CODE | | | | DATE | |
| 2A589 | | | | 11/11/2016 | |
| SIZE | | | | SCALE | |
| A | | | | NTS | |
| SHEET | | | | REV | |
| 1 OF 1 | | | | A | |
| DRAWN | | | | DATE | |
| KCHOD | | | | 11/11/2016 | |
| ENGINEER | | | | DATE | |
| D.KAPLACHINSKI | | | | 11/11/2016 | |
| APPROVED BY | | | | DATE | |
| P.KIM | | | | 11/11/2016 | |
| DATE CODE | | | | DATE | |
| 2A589 | | | | 11/11/2016 | |

PEI-Genesis
2180 Hornig Road, Philadelphia, PA 19116

NOTICE OF CONFIDENTIALITY
THIS DRAWING IS THE PROPERTY OF PEI-Genesis. ALL RIGHTS RESERVED. REPRODUCTION BY ANY MEANS OR DISTRIBUTION TO THIRD PARTIES IS STRICTLY PROHIBITED WITHOUT THE WRITTEN PERMISSION OF AN AUTHORIZED AGENT OF PEI-Genesis.