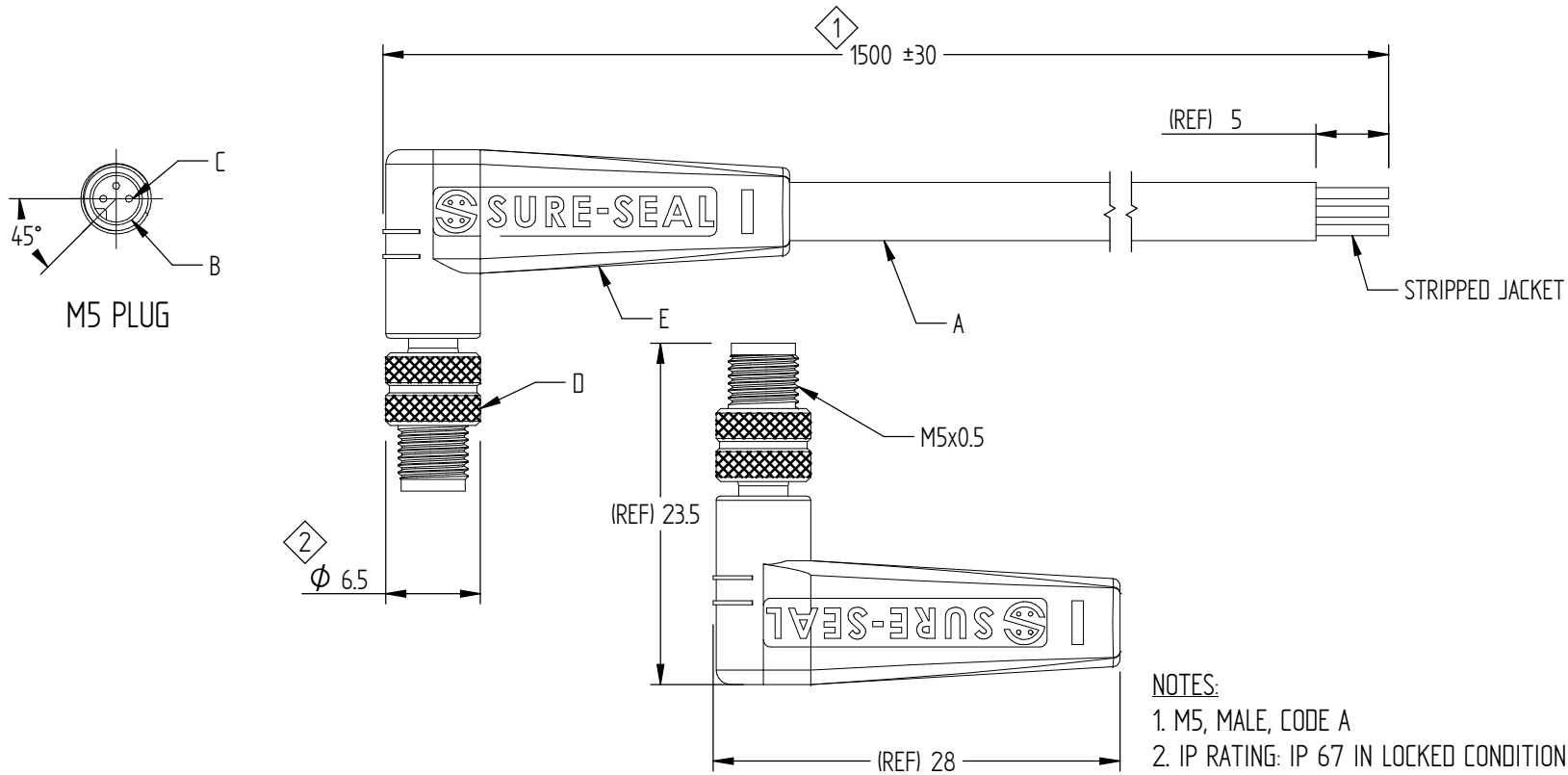


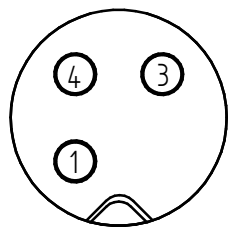
REVISIONS				REV	ZONE	ECO#	DESCRIPTION	DRAW	APPD	DATE
-			INITIAL RELEASE	KC	PK					1/30/17



NOTES:

1. M5, MALE, CODE A
2. IP RATING: IP 67 IN LOCKED CONDITION
3. STANDARD: IEC 61076-2-105
4. TEMPERATURE RANGE: -10C ~ +80C
5. MATERIAL:

NO.	NAME	DESCRIPTION
A	CABLE	UL20549 26AWG*3C(BROWN, BLUE, BLACK), BLACK PUR JACKET
B	HOUSING	M5 3P BLACK MALE HOUSING
C	TERMINAL	M5 MALE TERMINAL, BRASS WITH GOLD PLATING
D	SCREW	M5x0.5 SCREW, BRASS WITH NICKEL PLATING
E	OVERMOLD	MOLDED WITH BLACK TPU



PIN ASSIGNMENT

SCHEMATIC



6. CABLE: REFERENCE TABLE
7. ITEMS IDENTIFIED WITH DIAMOND MUST BE INSPECTED
8. REFERENCE PACKAGING SPECIFICATIONS PER DOC # PKG-001
9. RoHS COMPLIANT

PART NUMBER		IPM-M5A3-MRA-WL-1.5U	
TITLE		CA M5 3P M RA 15M PUR WL A	
UNLESS OTHERWISE SPECIFIED, DIMENSIONS ARE IN MM		TOLERANCE EXCEPT AS NOTED:	
FD5 - 61 ± 0.1		1-6 - 301 ± 0.2 1-301 ± 2%	
ANGLES ± 3		IMPERIAL DIMENSIONS ARE FOR REFERENCE ONLY	
THIRD ANGLE PROJECTION	SCALE	DATE	REV
ASME Y14.5	1:1	1/30/2017	A
DESIGNED BY	ENGINEER	APPROVED BY	DATE
K.CHODZINSKI	B. HALUSKA	P.KIM	1/30/2017



2180 Hornig Road, Philadelphia, PA 19116

NOTICE OF CONFIDENTIALITY
THIS DRAWING IS THE PROPERTY OF PEI-Genesis. ALL RIGHTS RESERVED. REPRODUCTION BY ANY MEANS OR DISTRIBUTION TO THIRD PARTIES IS STRICTLY PROHIBITED WITHOUT THE WRITTEN PERMISSION OF AN AUTHORIZED AGENT OF PEI-Genesis.