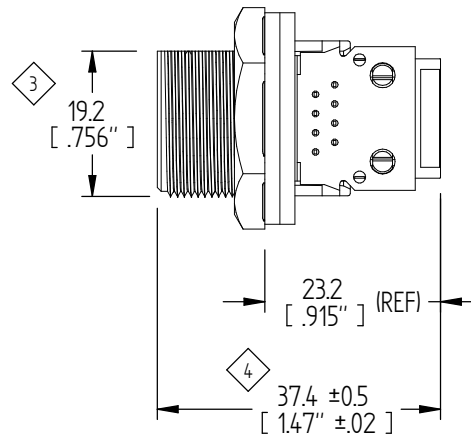
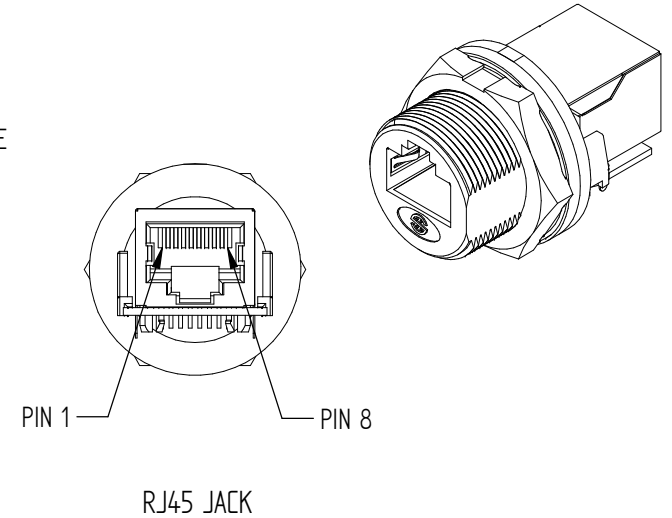
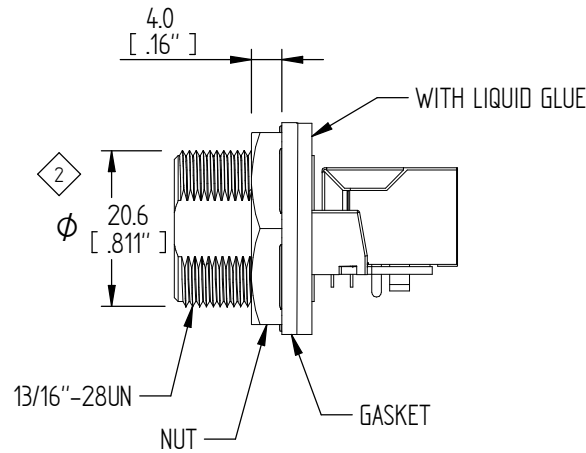
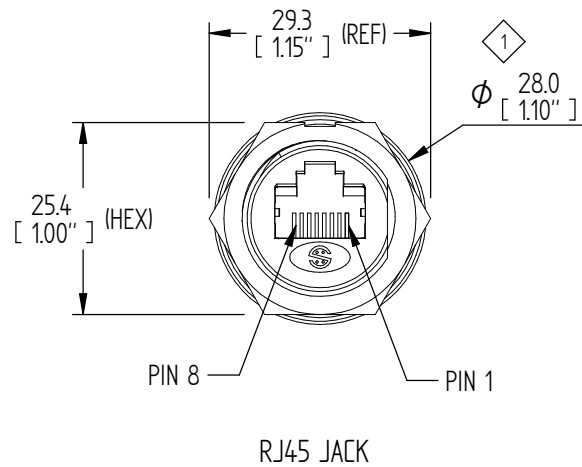
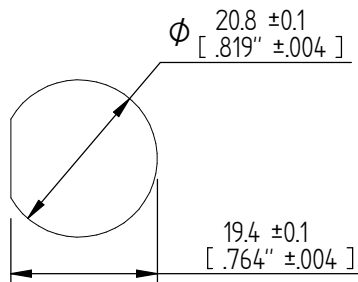


REVISIONS				REV	ZONE	ECO#	DESCRIPTION	DRAW	APPD	DATE
-			INITIAL RELEASE	KC	PK	11/10/16				
A			ADDED RoHS NOTE	KC	PK	2/15/17				



NOTES:

1. WATERPROOF RATE: IP68 (NO INGRESS OF DUST/PROTECTED AGAINST HARMFUL EFFECT CAUSED IN 1 METER WATER WITHIN 24 HOURS)
2. TEMPERATURE RANGE: -40°C TO +105°C
3. MAX PANEL THICKNESS: 4.0MM (WITHOUT CAP CHAIN)
4. MATERIAL: HOUSING: NYLON, BLACK PIN: COPPER ALLOY, GOLD PLATED SCREW NUT: NYLON, BLACK
5. ITEMS IDENTIFIED WITH DIAMOND (◇...◇) MUST BE INSPECTED.
6. REFERENCE PACKAGING SPECIFICATIONS PER DOC# PKG-001
7. RoHS COMPLIANT.



NOTE: CAD GENERATED DRAWING DO NOT UPDATE MANUALLY.

PART NUMBER		IPMOD-45FSBHD	
TITLE		JACK, PNL RJ45 WS COUPLER	
UNLESS OTHERWISE SPECIFIED, DIMENSIONS ARE IN MM		TOLERANCE EXCEPT AS NOTED:	
DECIMAL X +0.25	XX +0.1	XXX +0.05	ANGLES ±#
IMPERIAL DIMENSIONS ARE FOR REFERENCE ONLY			
THIRD ANGLE PROJECTION		DRAWN	
DATE		11/10/2016	
SCALE		KCHOD	
SHEET		1 OF 1	
REV		A	
APPROVED BY		P.KIM	
DATE		11/10/2016	

PEI-Genesis

2180 Hornig Road, Philadelphia, PA 19116

NOTICE OF CONFIDENTIALITY
THIS DRAWING IS THE PROPERTY OF PEI-Genesis. ALL RIGHTS RESERVED. REPRODUCTION BY ANY MEANS OR DISTRIBUTION TO THIRD PARTIES IS STRICTLY PROHIBITED WITHOUT THE WRITTEN PERMISSION OF AN AUTHORIZED AGENT OF PEI-Genesis.