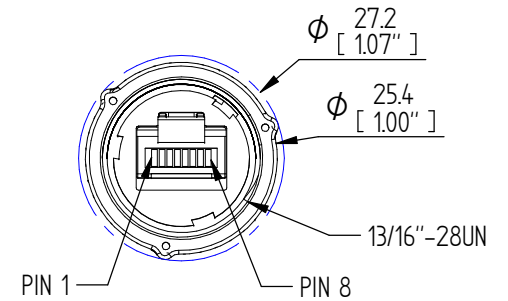
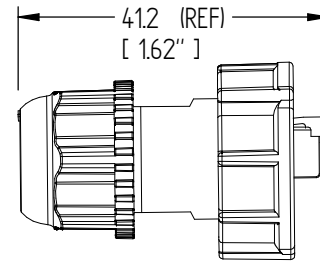
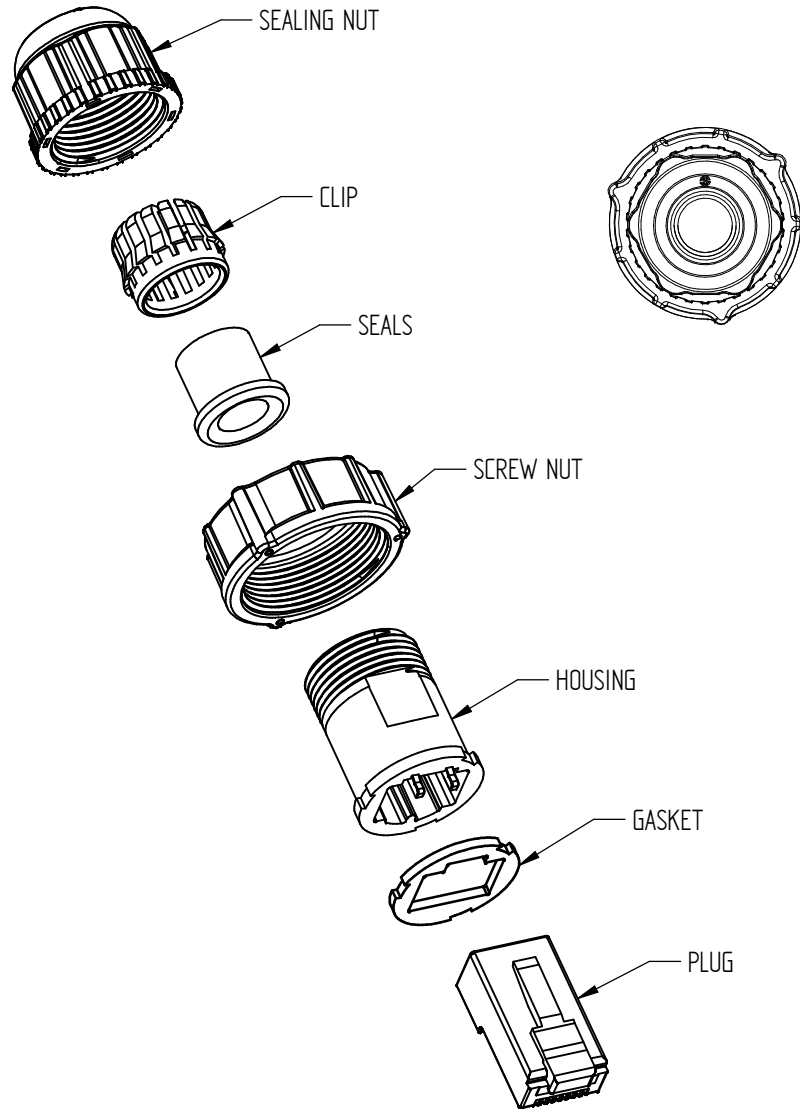


REVISIONS				REV	ZONE	ECO#	DESCRIPTION	DRAW	APPD	DATE
-			INITIAL RELEASE	KC	PK	11/10/16				
A			ADDED RoHS NOTE	KC	PK	2/15/17				



NOTES:

1. WATERPROOF RATE: IP67 (NO INGRESS OF DUST/PROTECTED AGAINST HARMFUL EFFECT CAUSED IN 1 METER WATER WITHIN 30 MINUTES)
2. TEMPERATURE RANGE: -40°C TO +85°C
3. MATERIAL: HOUSING: NYLON, BLACK PLUG: 8P8C, GOLD, PLATED, SHIELDED
4. CABLE DIA: $\phi 5.5 - 7.0\text{mm}$
5. ONE SET UNASSEMBLED IN ONE PE BAG.
6. ITEMS IDENTIFIED WITH DIAMOND ($\diamond\dots\diamond$) MUST BE INSPECTED.
7. REFERENCE PACKAGING SPECIFICATIONS PER DOC# PKG-001
8. RoHS COMPLIANT.

NOTE: CAD GENERATED DRAWING DO NOT UPDATE MANUALLY.

PART NUMBER		IPMOD-45WM-FT		REV	A
TITLE		PLUG, RJ45 WS FIELD TERM		DRAWN	KCHOD
UNLESS OTHERWISE SPECIFIED, DIMENSIONS ARE IN MM		TOLERANCE EXCEPT AS NOTED:		DATE	11/10/2016
DECIMAL X	+0.25	XX	+0.1	XXX	+0.05
ANGLES		≠P		ENGINEER	D.KAPLACHINSKI
IMPERIAL DIMENSIONS ARE FOR REFERENCE ONLY		THIRD ANGLE PROJECTION		DATE	11/10/2016
DATE	2A589	SCALE	NTS	APPROVED BY	P.KIM
SHEET	1 OF 1	REV	A	DATE	11/10/2016

2180 Hornig Road, Philadelphia, PA 19116

NOTICE OF CONFIDENTIALITY:
THIS DRAWING IS THE PROPERTY OF PEI-Genesis. ALL RIGHTS RESERVED. REPRODUCTION BY ANY MEANS OR DISTRIBUTION TO THIRD PARTIES IS STRICTLY PROHIBITED WITHOUT THE WRITTEN PERMISSION OF AN AUTHORIZED AGENT OF PEI-Genesis.