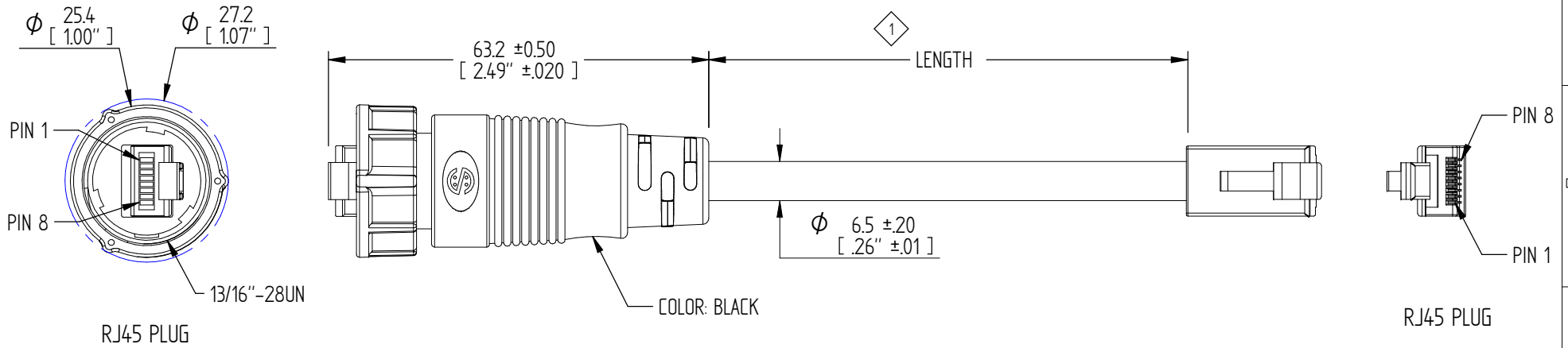


TABLE A

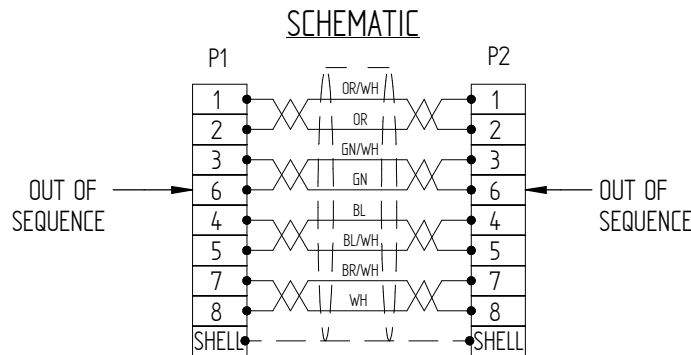
PART NUMBER	(L) LENGTH	
	METERS (FEET)	TOLERANCE MM (IN)
IPMOD-45WPP-1M	1.00 (3.28)	±50 (2.0)
IPMOD-45WPP-2M	2.00 (6.56)	±100 (3.94)
IPMOD-45WPP-3M	3.00 (9.84)	±150 (5.91)
IPMOD-45WPP-5M	5.00 (16.4)	±250 (9.84)

REVISIONS				REV	ZONE	ECO#	DESCRIPTION	DRAW	APPD	DATE
-			INITIAL RELEASE	KC	PK					11/10/16
A			ADDED RoHS NOTE, ADDED CABLE DIA AND OVERMOLD TOLS	KC	PK					2/15/17



NOTES:

1. WATERPROOF RATE: IP67 (NO INGRESS OF DUST/PROTECTED AGAINST HARMFUL EFFECT CAUSED IN 1 METER WATER WITHIN 30 MINUTES)
2. TEMPERATURE RANGE: -20°C TO +80°C
3. MATERIAL: HOUSING: NYLON, BLACK PLUG: 8P8C, GOLD, PLATED, SHIELDED SCREW NUT: NYLON, BLACK
4. CABLE: CAT.5E FTP 24AWG*4P+MYLAR+DRAIN+AI.MYLAR PVC BLACK, UV RESISTANT, OD= ϕ 6.50mm
5. ITEMS IDENTIFIED WITH DIAMOND ($\diamond\dots\diamond$) MUST BE INSPECTED.
6. REFERENCE PACKAGING SPECIFICATIONS PER DOC# PKG-001
7. RoHS COMPLIANT.



NOTE: CAD GENERATED DRAWING DO NOT UPDATE MANUALLY.

PART NUMBER		IPMOD-45WPP-XM		REV	A
TITLE		CA, RJ45P WS / RJ45P XM		DRAWN	KCHOD
UNLESS OTHERWISE SPECIFIED, DIMENSIONS ARE IN MM		TOLERANCE EXCEPT AS NOTED:		DATE: 11/10/2016	
DECIMAL X +0.25 XX +0.1 XXX +0.05 ANGLES ±P		IMPERIAL DIMENSIONS ARE FOR REFERENCE ONLY		ENGINEER	D.KAPLACHINSKI
THIRD ANGLE PROJECTION		APPROVED BY		DATE: 11/10/2016	
DATE CODE		2A589		DATE: 11/10/2016	
SIZE	A	SCALE	NTS	SHEET	1 OF 1
REV		A		DATE	

PEI-Genesis
 2180 Hornig Road, Philadelphia, PA 19116
 NOTICE OF CONFIDENTIALITY
 THIS DRAWING IS THE PROPERTY OF PEI-Genesis. ALL RIGHTS RESERVED. REPRODUCTION BY ANY MEANS OR DISTRIBUTION TO THIRD PARTIES IS STRICTLY PROHIBITED WITHOUT THE WRITTEN PERMISSION OF AN AUTHORIZED AGENT OF PEI-Genesis.